

# OPERATING INSTRUCTIONS & PARTS MANUAL



## 18" ROLL-ABOUT FAN MODEL 9219

### READ AND SAVE THESE INSTRUCTIONS

READ CAREFULLY BEFORE ATTEMPTING TO ASSEMBLE, INSTALL, OPERATE OR MAINTAIN THE PRODUCT DESCRIBED. PROTECT YOURSELF AND OTHERS BY OBSERVING ALL SAFETY INFORMATION. FAILURE TO COMPLY WITH INSTRUCTIONS COULD RESULT IN PERSONAL INJURY AND/OR PROPERTY DAMAGE!

#### RETAIN INSTRUCTIONS FOR FUTURE REFERENCE.

#### DESCRIPTION

The Air King® 18" (45.7 cm) Roll-About Fan features whisper-quiet performance with a 3-paddle fan blade. The fan has a permanently lubricated motor with a 9 ft. (2.7 m) 18/3 cord set. The Roll-About Stand is constructed of sturdy, powder coated steel. Rear wheels for easy mobility, raise fan 46" (116.8 cm) and 48" (121.9 cm) above the floor.

#### SPECIFICATIONS

Motor ..... 120V, 60 Hz  
Blade diameter ..... 18" (45.7 cm)  
Speeds ..... 3  
Control ..... Rotary Switch  
Air flow distribution ..... 360°  
Approvals ..... UL/ETL Listed. Close mesh fan guard meets OSHA requirements.

#### GENERAL SAFETY INFORMATION

**When using electrical appliances, basic precautions should always be followed to reduce the risk of fire, electric shock and injury to person, including the following:**

1. Read all instructions before using Fan.
2. Make certain that the power source conforms to the electrical requirements of the Fan.
3. Use this Fan only as described in this manual. Any other use not recommended by the manufacturer may cause fire, electrical shock, or injury to persons.
4. Unplug power cord before installing, servicing, or moving the Fan.

**WARNING: DO NOT DEPEND UPON THE ON-OFF SWITCH AS THE SOLE MEANS OF DISCONNECTING POWER WHEN INSTALLING OR SERVICING THE FAN. ALWAYS UNPLUG THE POWER CORD.**

5. This Fan must NOT be used in potentially dangerous locations such as flammable, explosive, chemical-laden or wet atmospheres.
6. The power cord is equipped with a three-prong grounded plug that must be inserted into a matching receptacle. Under no circumstances should the grounding prong be cut off the plug. Where a two-prong wall receptacle is encountered, it must be replaced with a properly grounded three-prong receptacle installed in accordance with the National Electrical Code (NEC) and all applicable local codes and ordinances. This work must be done only by a qualified electrician, using copper wire only.

**WARNING: USE OF A THREE-PRONG TO TWO-PRONG ADAPTER IS NOT RECOMMENDED. IMPROPER CONNECTION MAY CREATE THE RISK OF ELECTROCUTION. USE OF SUCH ADAPTERS IS NOT PERMITTED IN CANADA.**

**WARNING: THIS PLUG IS A SAFETY FEATURE. TO REDUCE THE RISK OF FIRE, ELECTRIC SHOCK AND**

**PERSONAL INJURY, DO NOT REMOVE, REPLACE, REPAIR OR TAMPER WITH THE ORIGINALLY SUPPLIED PLUG. IF THE FAN DOES NOT FUNCTION PROPERLY, IT MAY BE DUE TO THE SAFETY DEVICE INCORPORATED IN THIS PLUG. RETURN TO AN AUTHORIZED SERVICE CENTER OR CALL 800-233-0268, MONDAY - FRIDAY, BETWEEN 8:00 AM AND 5:00 PM EST. IF THE PLUG WARNING LABEL IS MISSING OR DAMAGED, CALL THE TOLL FREE NUMBER FOR A REPLACEMENT LABEL.**

7. Where possible, avoid the use of extension cords. If they must be used, minimize the risk of overheating by ensuring that they are UL listed. Never use a single extension cord to operate more than one Fan. Do not plug Fan into any other cord connected device, such as a power strip, cord reel, surge protector, multiple outlet adapters or outlet-type air fresheners. The use of such devices may create a fire hazard.
8. Do not operate any Fan with a damaged cord or plug after the Fan malfunctions, has been dropped or damaged in any manner. Return Fan to authorized service facility for examination, electrical or mechanical adjustment or repair.
9. Do not insert or allow fingers or foreign objects to enter any ventilation or exhaust opening as it may cause an electric shock, fire, or damage the Fan. Do not block or tamper with the Fan in any manner while it is in operation.
10. Always place the Fan on a stable, flat, level surface when operating, to avoid the chance of the Fan overturning. Locate the Power Cord so the Fan or other objects are not resting on it. Do not run Power Cord under carpeting. Do not cover Power Cord with throw rugs, runners, or the like. Arrange Power Cord away from room traffic and where it will not be tripped over.
11. This Fan is not intended for use in wet or damp locations. Never locate a Fan where it may fall into a bathtub or other water container.
12. Do not use Fan outdoors.
13. This Fan is not suitable for use in hazardous locations. Please refer to National Electric Code (NEC) Article 500 or applicable state or local codes or standards relating to electrical requirements for Hazardous locations. **THIS FAN DOES NOT MEET THE REQUIREMENTS OF NEC ARTICLE 500 (2002).**

**WARNING: REDUCE THE RISK OF FIRE OR ELECTRIC SHOCK – DO NOT USE THIS FAN WITH ANY SOLID STATE SPEED CONTROL DEVICES.**

## SAVE THESE INSTRUCTIONS

# MODEL 9219

## ASSEMBLY

**NOTE:** For 46" height use lower hole on handle; for 48" height, use upper hole on handle.

1. Attach one Front Leg (1) and one Back Leg (2) into lower of two Holes of each Handle (3) using a 1-3/4" Bolt (4) and a 1/4"-20 Nut (5).
2. Connect the two Leg and Handle Assemblies, with one Cross Brace (6) using a 1-3/4" Bolt (4) and a 1/4"-20 Nut (5) through the upper Hole in each Handle.
3. Bolt Bottom Cross Braces (6) and Struts (7) together using the 1-3/4" Bolts (4) and the 1/4"-20 Nuts (5).
4. To attach Wheels, insert 2-1/4" Axle Bolt (8) and Metal Spacer (9), through Wheel (10), and into the bottom Hole on each Back Leg. Secure with 1/4" -20 Nuts (5).

**NOTE:** Lengthened Wheel Hub side goes towards Leg, Spacing Wheel away from Tube when assembled.

5. Slip Plastic Caps (11) over tubing ends at the top of the Handles and also at the bottom of the Front Legs.
6. Lay Fan on the floor, front side down.
7. Place Stand on floor, Wheels up, with Handles on each side of Fan. Align Handle Holes with the Pivot Bracket Assembly (21) in Rear Grill.
8. Place Rubber Spacers (12) between the Stand Handles and sides of the Fan. Then thread Fan Support Knobs (13) through

the Handles and Rubber Spacers into the Pivot Bracket Assembly in Rear Grill.

9. Check all bolts for tightness.
10. Lift the stand to its upright position.

## OPERATION

1. Plug in cord and select desired operating speed with knob on back of fan.

**WARNING:** This Fan should be used only in a clean, dry environment. Mounting this product in any way other than specified in the instruction sheet will null and void the manufacturers warranty.

## MAINTENANCE

**WARNING:** ALWAYS UNPLUG THE CORD BEFORE SERVICING.

**Cleaning:** Use a soft cloth and a mild soap solution such as liquid dish washing detergent.

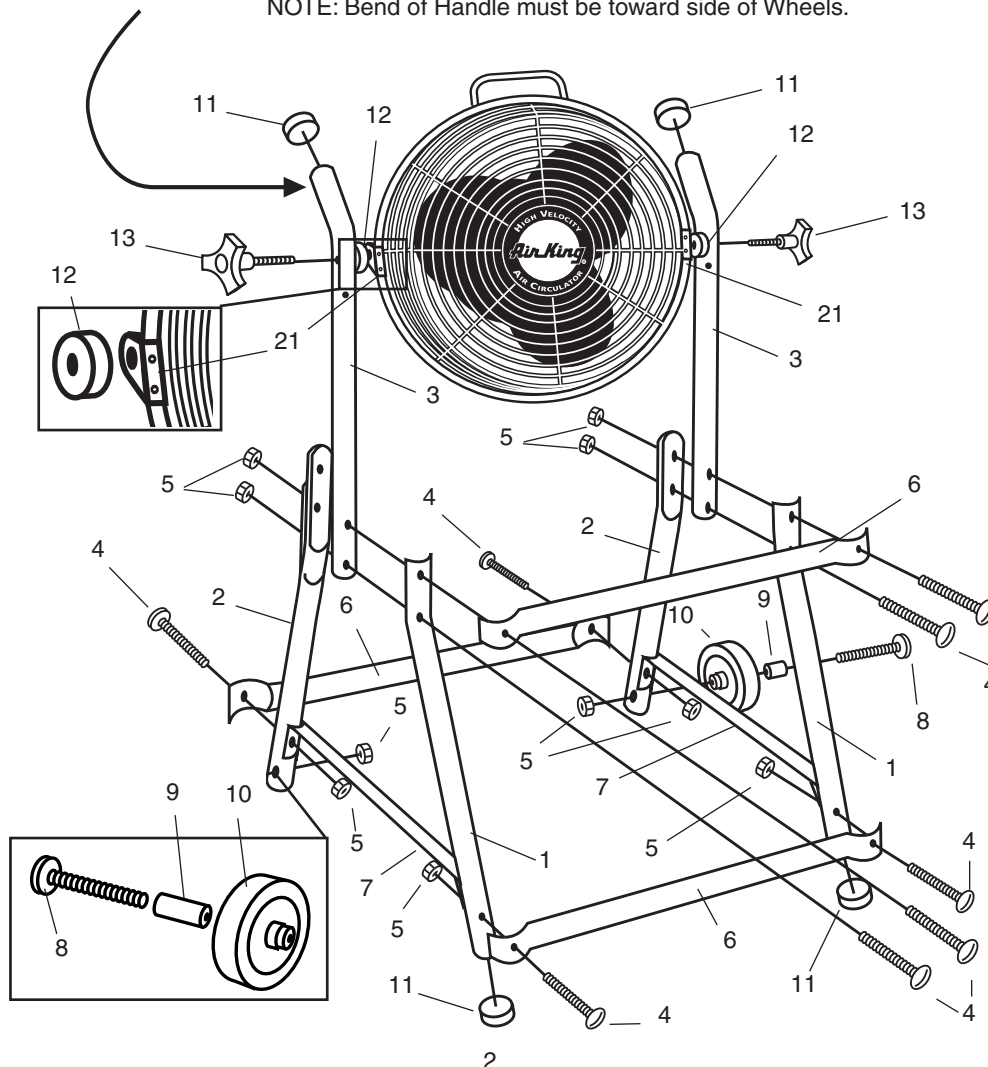
**CAUTION:** Do not use gasoline, benzene, thinner, harsh cleaners, etc. as they will damage the Fan. NEVER use ALCOHOL OR SOLVENTS.

Dry all parts with a soft cloth completely before reconnecting to power supply.

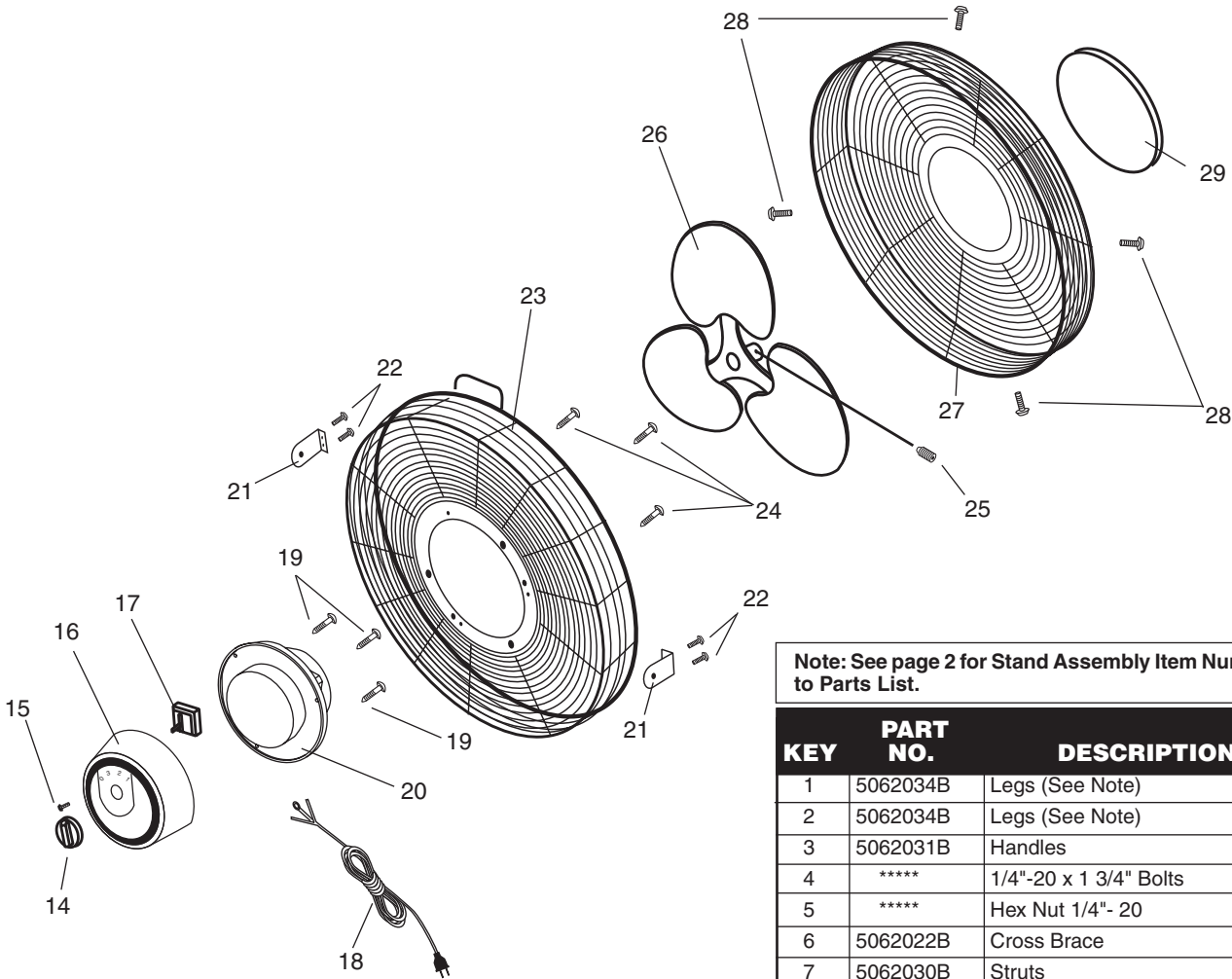
**Storage:** When not in use, keep unit in a clean dry place.

**MOTOR IS PERMANENTLY LUBRICATED.**

**NOTE:** Bend of Handle must be toward side of Wheels.



# MODEL 9219



**Note: See page 2 for Stand Assembly Item Number Identification to Parts List.**

KEY	PART NO.	DESCRIPTION	QTY.
1	5062034B	Legs (See Note)	2
2	5062034B	Legs (See Note)	2
3	5062031B	Handles	2
4	*****	1/4"-20 x 1 3/4" Bolts	8
5	*****	Hex Nut 1/4" - 20	10
6	5062022B	Cross Brace	3
7	5062030B	Struts	2
8	*****	1/4"-20 x 2 1/4" Axle Bolts	2
9	*****	Metal Wheel Spacers	2
10	2011902	Wheels	2
11	2090572	Plastic Caps	4
12	*****	Rubber Spacers	2
13	5010106	Fan Support Knobs	2
14	*	Switch Knob	1
15	*	Screws 6-32 x 1/4"	1
16	*	Motor Cover	1
17	*	Switch	1
18	*	Cord Set	1
19	*	Screws #6 x 5/8" PTH	3
20	02030021B	Motor	1
21	05060016	Pivot Bracket w/ Threaded Insert	2
22	2091162	Screws #8 x 1/2 Type F	4
23	5097125BK	Rear Grill (12 Strut)	1
24	5090045	Screw 10-32 x 1/2 HWH SERR F-ZP	3
25	5090044	Set Screw 1/4-28 x 3/8"	1
26	5082045BK	Blade	1
27	5097120BK	Front Grill (8 Strut)	1
28	2091143	Screws #8 x 3/8" PPH Type F	4
29	02084613	Bulls Eye	1

\* Included in motor part number 02030021B

\*\*\*\*\* Included in Hardware Bag (Part Number: 2098164A)

# MODEL 9219

## LIMITED WARRANTY

**WHAT THIS WARRANTY COVERS:** This product is warranted against defects in workmanship and/or materials.

**HOW LONG THIS WARRANTY LASTS:** This warranty extends only to the original purchaser of the product and lasts for one (1) year from the date of original purchase or until the original purchaser of the product sells or transfers the product, whichever first occurs.

**WHAT AIR KING WILL DO:** During the warranty period, Air King will, at its sole option, repair or replace any part or parts that prove to be defective or replace the whole product with the same or comparable model.

**WHAT THIS WARRANTY DOES NOT COVER:** This warranty does not apply if the product was damaged or failed because of accident, improper handling or operation, shipping damage, abuse, misuse, unauthorized repairs made or attempted. This warranty does not cover shipping costs for the return of products to Air King for repair or replacement. Air King will pay return shipping charges from Air King following warranty repairs or replacement.

**ANY AND ALL WARRANTIES, EXPRESSED OR IMPLIED (INCLUDING, WITHOUT LIMITATION, ANY IMPLIED WARRANTY OF MERCHANTABILITY), LAST ONE YEAR FROM THE DATE OF ORIGINAL PURCHASE OR UNTIL THE ORIGINAL PURCHASER OF THE PRODUCT SELLS OR TRANSFERS THE PRODUCT, WHICHEVER FIRST OCCURS AND IN NO EVENT SHALL AIR KING'S LIABILITY UNDER ANY EXPRESS OR IMPLIED WARRANTY INCLUDE (I) INCIDENTAL OR CONSEQUENTIAL DAMAGES FROM ANY CAUSE WHATSOEVER, OR (II) REPLACEMENT OR REPAIR OF ANY HOUSE FUSES, CIRCUIT BREAKERS OR RECEPTACLES. NOTWITHSTANDING ANYTHING TO THE CONTRARY, IN NO EVENT SHALL AIR KING'S LIABILITY UNDER ANY EXPRESS OR IMPLIED WARRANTY EXCEED THE PURCHASE PRICE OF THE PRODUCT AND ANY SUCH LIABILITY SHALL TERMINATE UPON THE EXPIRATION OF THE WARRANTY PERIOD.**

Some states and provinces do not allow limitations on how long an implied warranty lasts, or the exclusion or limitation of incidental or consequential damages, so these exclusions or limitations may not apply to you. This warranty gives you specific legal rights. You may also have other rights which vary from state to state and province to province.

Proof of purchase is required before a warranty claim will be accepted.

### CUSTOMER SERVICE:

**Toll-Free (800) 233-0268. Email: [producthelp@laskoproducts.com](mailto:producthelp@laskoproducts.com)**

Our Customer Service team is available to assist you with product questions, service center locations, and replacement parts. They can be reached Monday through Friday, 8am-5pm Eastern. Please have your model number available, as well as the type and style (located on the underside of your product). Please do not return product to place of purchase.

Customer Service Dept., 820 Lincoln Ave., West Chester, PA 19380  
(Please do not send product to this location)

**[www.laskoproducts.com](http://www.laskoproducts.com)**

**PARTS FOR DISCONTINUED, OBSOLETE AND CERTAIN OTHER PRODUCTS MAY NOT BE AVAILABLE. DUE TO SAFETY REASONS, MANY ELECTRONIC COMPONENTS AND MOST HEATER COMPONENTS ARE NOT AVAILABLE TO CONSUMERS FOR INSTALLATION OR REPLACEMENT.**

Manual printed in China