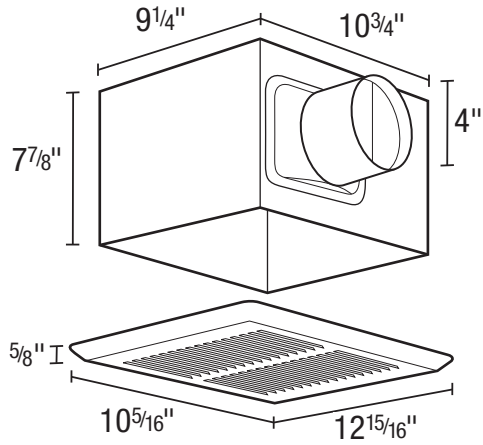




SPECIFICATIONS
FRAK80
 EXHAUST FAN


80 CFM/1.0 Sones @ 0.10" SP.
68 CFM @ 0.25 SP.

- **Grill**
Cold rolled steel, powder coated white.
- **Blower Wheel**
One piece polymeric centrifugal blower wheel, 5.22" diameter, 2.90" wide, with 30 paddles.
- **Motor**
Heavy duty, permanently split capacitor, 4 pole motor, life time lubrication, thermally protected, suitable for continuous operation. Rated 120 volts.
Contractor Pack (Motor/BladeGrill) Model: FAK80T*
- **Fan Housing**
24 gauge galvanized steel housing, dimensions 10³/₄" x 9¹/₄" x 7⁷/₈".
Contractor Pack Model: AKFH2*
- **Duct Collar**
Metal collar for 4" duct connection, comes complete with built in back draft damper.
- **Ventilating Area**
For rooms up to 100 sq. ft.
- **Unit Mounting**
FRAK80 is centered between joists (with 16" centers) using hanging brackets. The housing will mount through drywall thickness up to 3/4", with a rough-in opening of 10³/₄" x 9¹/₄".



Acceptable for use over tub or shower when installed in a GFCI protected branch circuit.



- **Damper**
Blanket - Non-asbestos, ceramic blanket
Fusible Link - Replaceable, 165°F standard
Classification - CUL Listed 555C. California State Marshall classification for 1 hour fire damper rating. California State Marshall listing number 3225-1374-101.
Contractor Pack Model: AKFD2*

* Sold in packs of 4. All three parts (housing, damper, motor/blade/grill) must be purchased and used together to make a complete unit.

EXPANDED PERFORMANCE											
	Static Pressure (inches of w.g.)							Sones @ .1 SP	Fan Speed RPM	Maximum Fan Watts	Amps
	0	0.05	0.1	0.125	0.15	0.2	0.25				
Air Flow - CFM	89	84	80	78	75	70	68	1.0	1250	28.1	0.30

PROJECT							ARCHITECT				
LOCATION							ENGINEER				
CONTRACTOR							SUBMITTED BY			DATE	
FAN NUMBER	MODEL NUMBER	CFM	IN W.G.	RPM	WATTS	AMPS	SONES	QTY	OPTIONAL EQUIPMENT & REMARKS		



Air King: 820 Lincoln Avenue
 West Chester, Pennsylvania 19380-4466
 Tel: (610) 692-7400 • 877-304-3785
 Fax: (610) 696-8048