

Solar Powered Motion Sensor Security Light
Luz de seguridad con pila solar con sensor de movimiento
Lampe de sécurité solaire à détecteur de mouvement

Mod. SL500

Specifications:

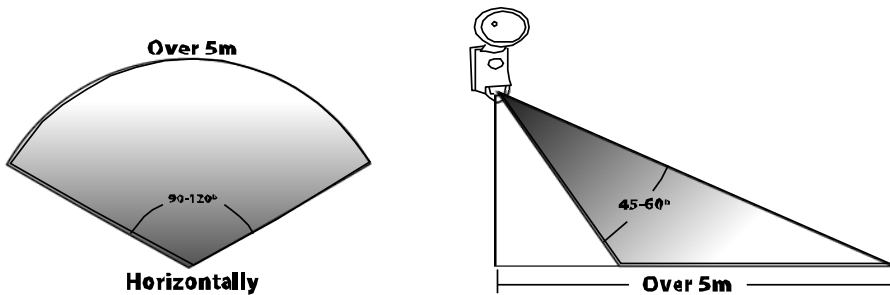
- High performance crystalline solar panel
- Duration and sensor level adjustable / on-off switch
- 9 high output LED's for brilliant white light / LED life up to 100,000 hours.
- Adjustable detection range / wall mount bracket
- Passive infrared motion detector
- 4 long life AA Ni-Cad 600mAh rechargeable batteries included
- Perfect for garage, warehouse, shed or parking area lighting

Parts List

Part No.	Description	Qty.
1	"L" Shape Screw	1
2	Lamp Body	1
3	PA3*15 Screw	1
4	"U" Shape Screw	1
5	Bracket for solar panel	1
6	Inflatable capsule	7
7	Solar Panel	1
8	PA4*35 Screw	7
9	Bracket for lamp body	1

Location of the Solar Light

- 1) The solar panel must be located in a position where it can get direct sunlight, generally free from cover and shade. When locating a suitable position for the unit, remember that it detects an area of about 45-60 degrees vertically and about 90-120 degrees horizontally, with a range of over 5 meters. (As shown in figure below)
- 2) Make sure that the photo sensor on the lamp body will not be affected by any other light source, otherwise the light will not illuminate at dusk.
- 3) The solar panel must be left to charge for a minimum of 16 hours before first time use so that best results are achieved.



Assembly Instructions

Solar panel installations

Choose a sunny location to mount the solar panel.

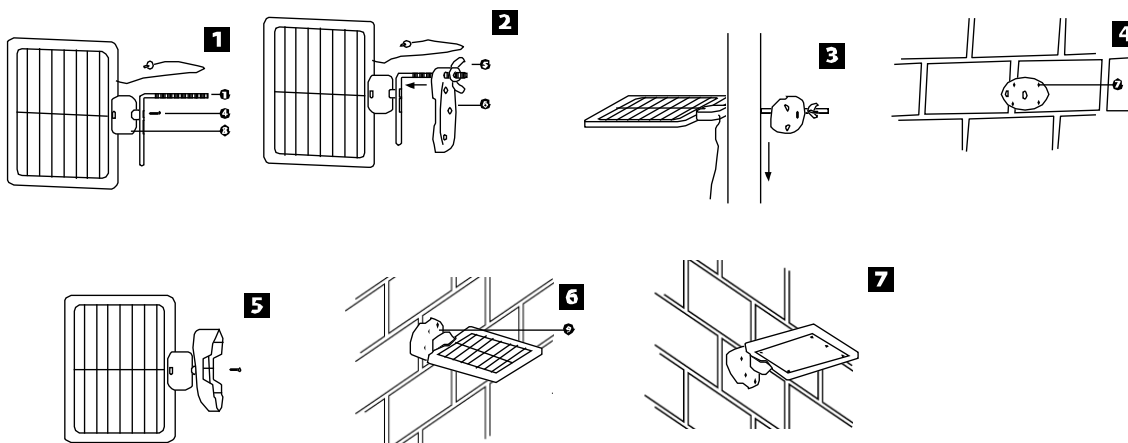
(There are two ways to assemble the Solar Panel.)

Pillar Mounted

- 1) Carefully remove the Solar lamp and all of the fittings out of the box.
- 2) Setting the “L” Shape Screw (1) to solar panel (8) with PA3*15 Screw (4). (shown in figure 1)
- 3) Connect “L” Shape Screw and Bracket for solar panel (6) and “U” Shape Screw (5). (AS shown in figure 2)
- 4) Tumble in the “L” Shape Screw to Pillar and twist the “U” Shape Screw tightly. (AS shown in figure 3)

Wall or Deck Mounted

- 1) Predrill 4 holes to align with bracket , tap anchors into wall. (as shown in figure 4).
- 2) Attach the Bracket to the solar panel with the 1 -PA3*15 Screw provided. (As shown in figure 5)
- 3) Mount the Bracket on the wall or deck with 4 - PA4*35 Screws provided. (As shown in figure 6)
- 4) Adjust the angle of Solar Panel to make sure it can get maximum sunlight, then twist the “U” Shape Screw Under the Solar Panel tightly. (As shown in figure 7)

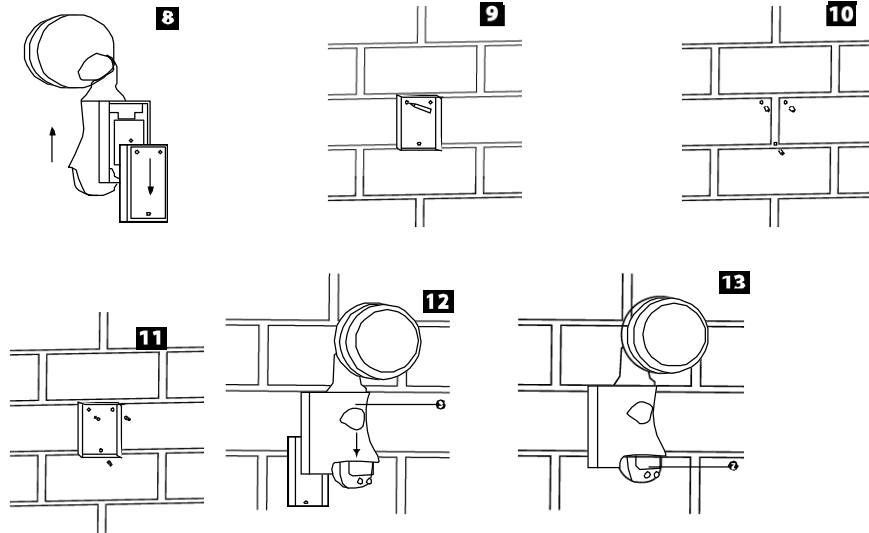


Lamp installations

- 1) Remove the bracket (10) from the lamp body. (As shown in figure 8)
- 2) Choose the location for the security light . (As shown in figure 9)
- 3) Pre drill holes, tap anchors into wall. (As shown in figure 10)
- 4) Mount the bracket with 3Pcs PA4*35 screws provided. (As shown in figure 11)
- 5) Slide the security light onto the bracket. (As shown in figure 12)
- 6) Adjust the angle of the lamp sensor (2) and “SENSOR LEVEL” & “DURATION”(As shown in figure 14) as per your requirements. (As shown in figure 13)

Connection of the Solar Panel and Lamp

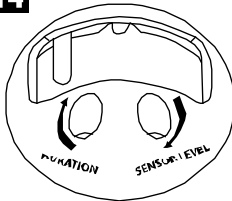
- 1) Insert the plug of the 5m Wires into the pole at the bottom of Lamp body.
- 2) Turn the button to the "OFF" position so that the batteries can fully charged before use.
- 3) After a minimum of 16 hour charge (2 sunny days), turn the button to the "ON" position to ensure that the solar light will begin to work normally.



Operation

- 1) Connect the Solar Panel to Lamp with 5m Wires. Turn the switch to the "ON" position, it will automatically charge during daytime hours and work during the night time hours.
- 2) Adjust the "SENSOR LEVEL" switch at the bottom of the Lamp body to your needs.
- 3) Adjust the "DURATION" switch at the bottom of the Lamp Body to change the lamp operating period after detecting.
- 4) The performance of the SOLAR LAMP will vary depending on charging time.

14



Replacing the Batteries

For best results Ni-Cd batteries should be replaced every 12 months.

- 1) Detach the security light from the wall bracket by pushing upward on the base .
- 2) Turn the switch to off on the bottom of the unit and remove the 4 screws from the back of the unit, remove lid and replace with new AA Ni-Cad rechargeable batteries.
- 3) Reassemble the unit by reversing the above procedure.
- 4) Allow the solar security light to receive a full 16 hours of sunlight so the rechargeable batteries can reach maximum capacity.

Troubleshooting

If the light does not turn on at dusk after 8 hours of charging:

- Check the batteries to make sure it is making secure contact with the terminal.

- Be sure the solar fixture is in a relatively sunny location.
- Make sure the light's photocell is not affected by other light.

Caution

- Failure to insert batteries in the correct polarity, as indicated in the battery compartment, may shorten the life of the batteries or cause them to explode or leak.
- Do not dispose of batteries in fire.

Maintenance

Periodically clean light fixture with soft cloth and warm soapy water.

One Year Limited Warranty

This product is warranted to be free from defects in workmanship or materials at the time of purchase for a period of one year, (excluding batteries). Should a defect occur, please contact our customer service line at 1-866-460-4604 for service. Should any evidence of defects in material or workmanship appear within the warranty period after the date of purchase, Classy Caps Mfg. Inc. will either repair or replace the product at its option. Classy Caps Mfg. Inc. is not responsible for injury, property damage, or other consequential damages or damages to third parties arising directly or indirectly from an actual or alleged defect in material or workmanship of the product.