

# PCA SERIES Pond & Water Feature Pump

## PCA75 • PCA150 • PCA300 • PCA500

### Features

PCA Series pumps are ideal for high flow and medium pressure applications where the safety of an external pump and convenience of a self-primar are desired.

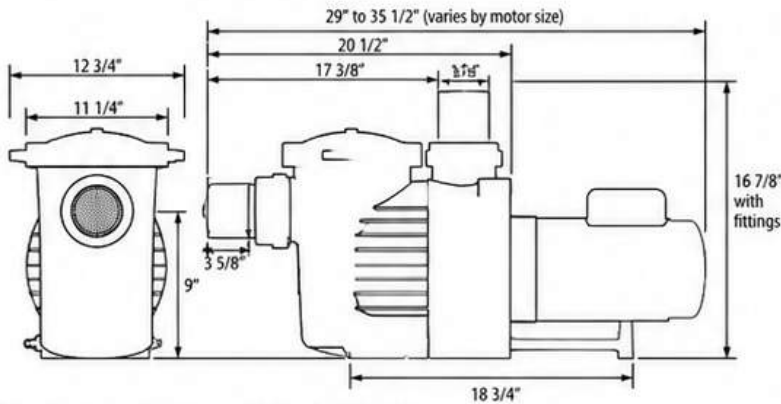
- Self-priming – will prime from 5' to 8' above water level
- Continuous duty, energy efficient motors
- Flows up to 19,740 gph
- Large integrated strainer basket to reduce cleaning frequency
- Units designed to operate at any point on specified performance curve
- Corrosion resistant polypropylene housing
- 3" inlet/outlet union fittings included
- Stainless steel shaft seals
- PCA75 includes 6' cord with 115 volt plug, can be field change to 230 volt
- PCA150, PCA300 and PCA500 do not included cord
- 3 year limited warranty (fresh water),  
1 year limited warranty (salt water)



### Applications

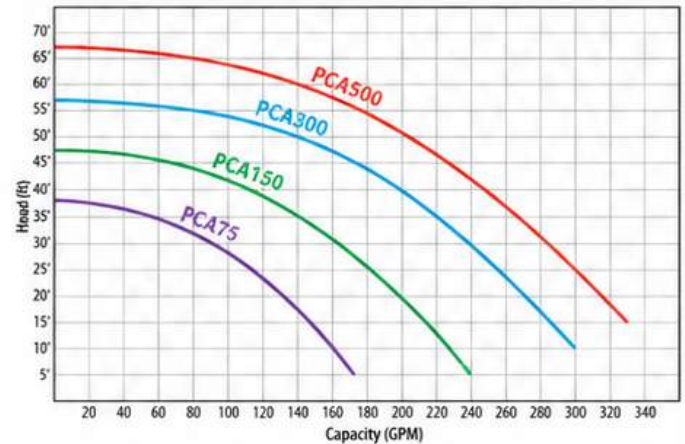
- Water gardens
- Fountains
- Koi ponds
- Aquaculture
- Water features

### Dimensional Drawings



Dimensions are approximate and for reference only.

### Performance Curves



### Specifications

PART #	HP	MAX GPH FLOW	MAX HEAD	MOTOR TYPE	RPM	CORD	VOLTAGE	HZ	MAX WATTS	MAX AMPS	AMPS @ MAX HEAD	AMPS @ MAX FLOW
PCA75	3/4	10,680	39'	1 Ø ODP	3450	6'- 115v plug	115/230	60	1230	11/5.5	6.8/3.4@39'	8.4/4.2@10,680@5'
PCA150	1 1/2	13,560	48'	1 Ø ODP	3450	none	208-230	60	2010	9.2	5.6@48'	8.0@13,560@9'
PCA300	3	17,800	58'	1 Ø ODP	3450	none	208-230	60	3100	13.4	6.7@58'	13.1@17,800@13'
PCA500	5	19,740	65'	1 Ø ODP	3450	none	208-230	60	4000	17.6	9.5@68'	17.3@19,740@15'

PCA75 can be field changed to 230 volt

Note: Watt and Amp draw ratings are typical, but can vary with different motors and operating voltages

Technical data subject to change without notice, information for reference only



# PCA SERIES Pond & Water Feature Pump

PCA75 · PCA150 · PCA300 · PCA500



## Pump with Included Components



## Exploded View & Parts

