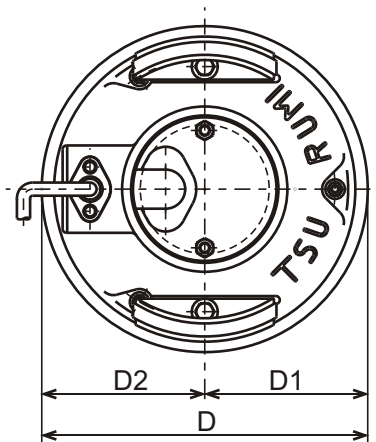
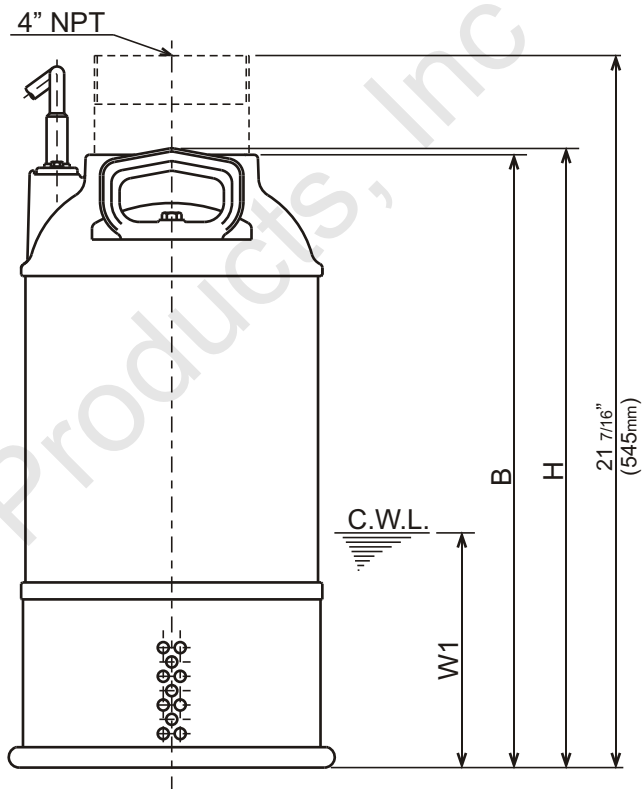


**TSURUMI PUMP**
HF - SERIES
PROPELLER TYPE - WATER FEATURE PUMPS
DIMENSIONS
4HF
8HF


C.W.L. : Continuous running Water Level

DIMENSIONS:USCS (Inch)

Model	HP	NOM. SIZE	Pump & Motor					C.W.L.	Wt. (lbs.)
			D	D1	D2	B	H	W1	
4HF	1/2	4"	9 13/16	4 15/16	4 15/16	18 4/8	18 11/16	7 1/8	40
8HF	1	4"	9 13/16	4 15/16	4 15/16	18 4/8	18 11/16	7 1/8	42

DIMENSIONS:METRIC (mm)

Model	kW	NOM. SIZE	Pump & Motor					C.W.L.	Wt. (kg)
			D	D1	D2	B	H	W1	
4HF	0.4	100	250	125	125	470	475	180	18
8HF	0.75	100	250	125	125	470	475	180	19