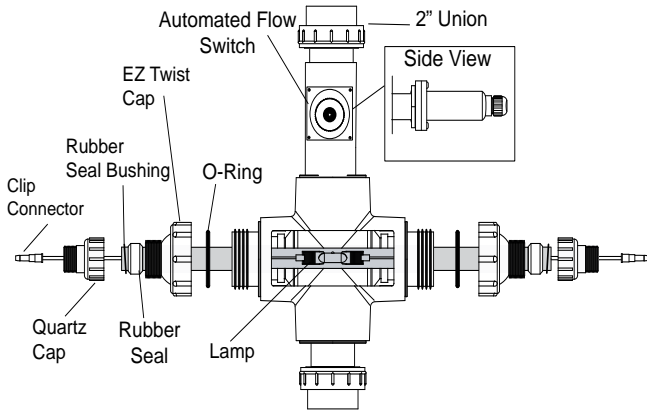
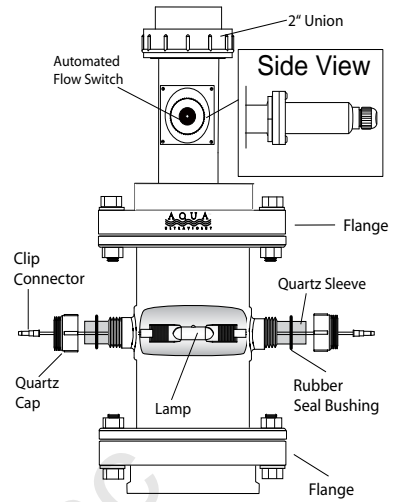


# VIPER REPLACEMENT PARTS

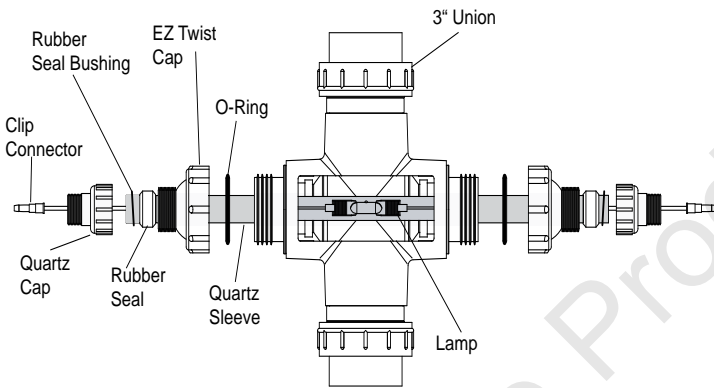
400 Watt  
2" Plastic



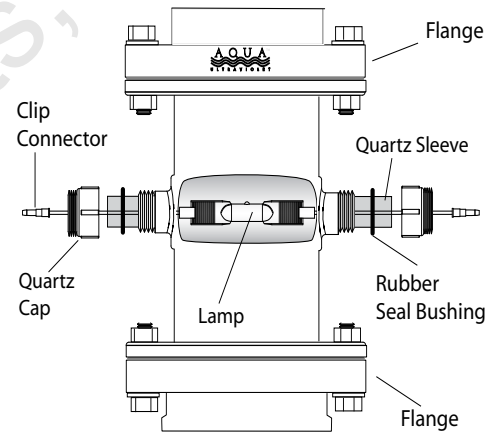
400 Watt  
2" Stainless Steel



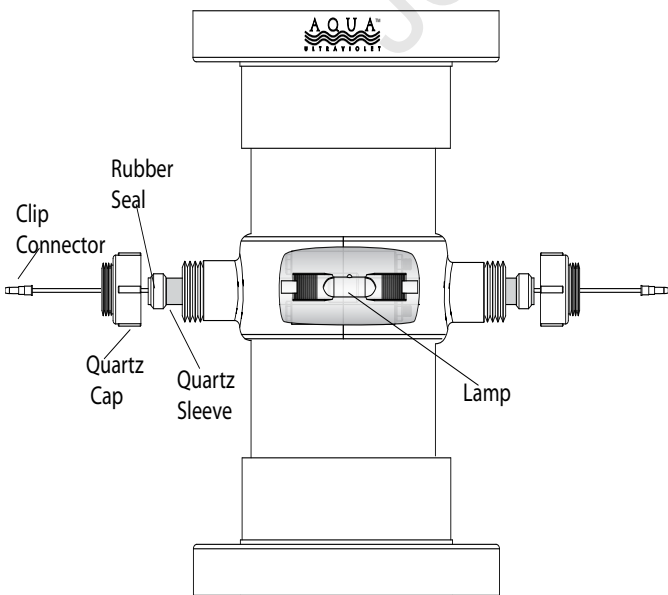
400 Watt  
3" Plastic



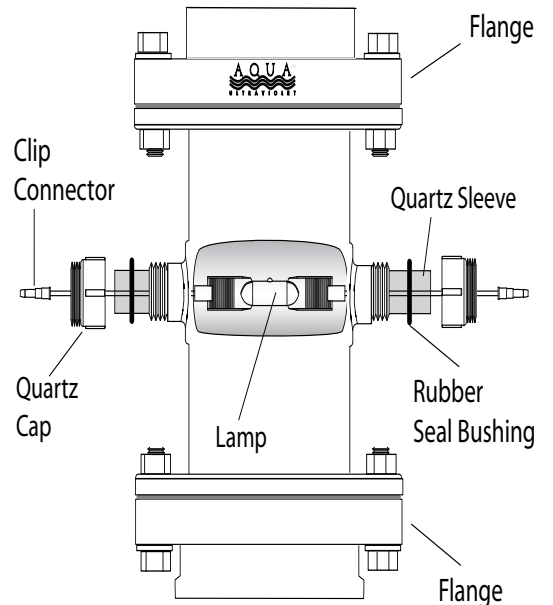
400 Watt  
3" Stainless Steel



400 Watt  
6" Plastic

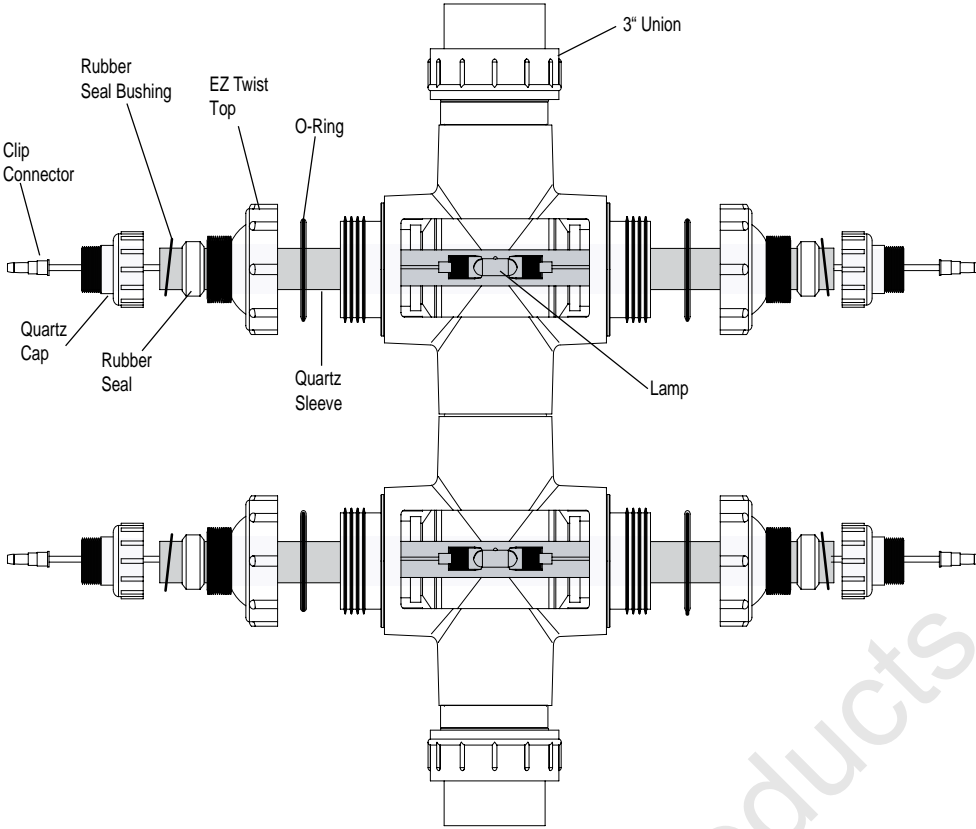


400 Watt  
6" Stainless Steel

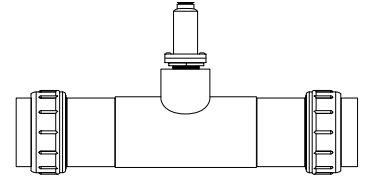


# VIPER REPLACEMENT PARTS

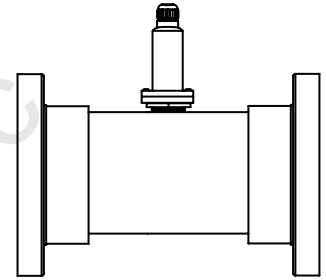
800 WATT  
3" Plastic Multi Unit



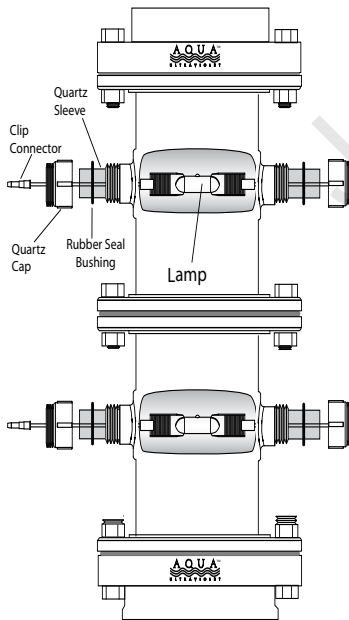
3" Flow Switch



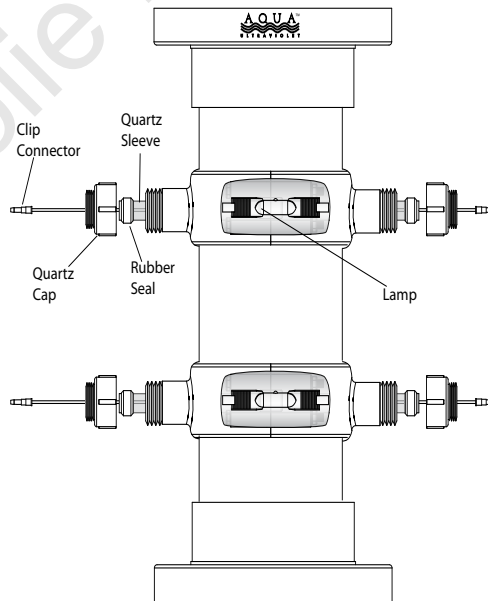
6" Flow Switch



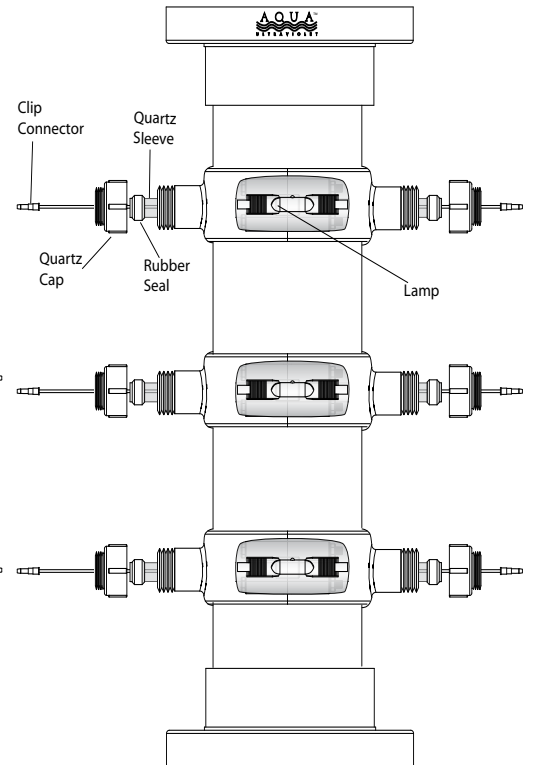
800 WATT  
3" Stainless Steel Multi Unit



800 WATT  
6" Plastic Unit

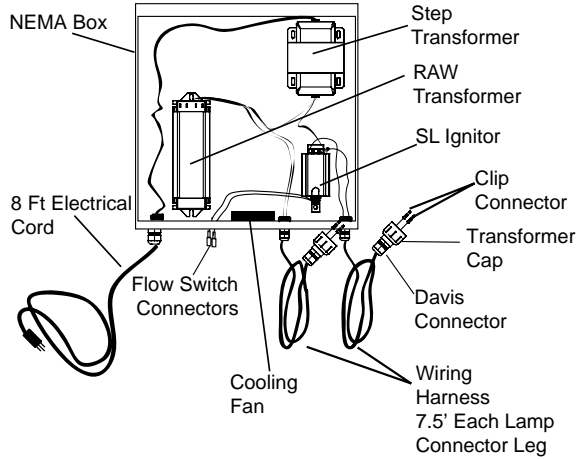


1200 WATT  
6" Plastic Unit

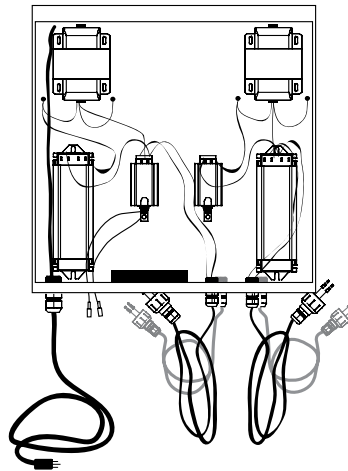


# VIPER REPLACEMENT PARTS

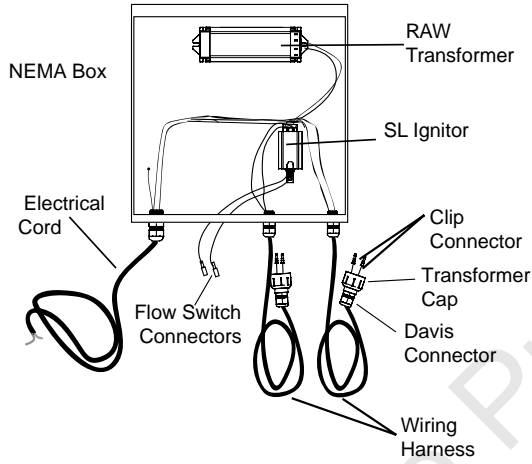
**Viper 400 Trans 110V-60Hz**



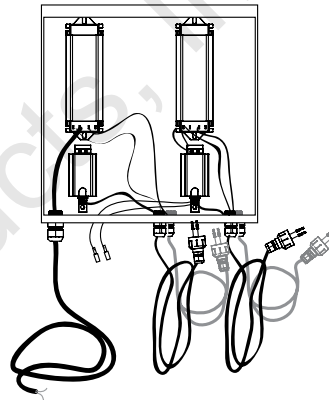
**Viper 800 Trans 110V-60Hz**



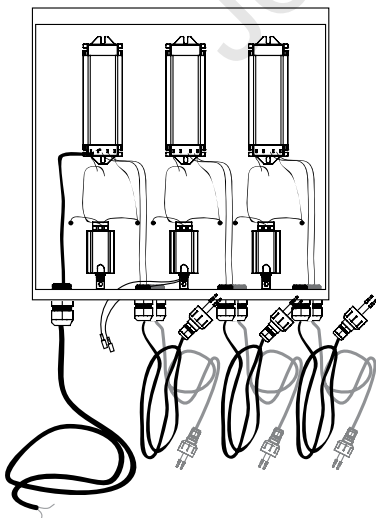
**Viper 400 Trans 208/220/240V-60Hz**



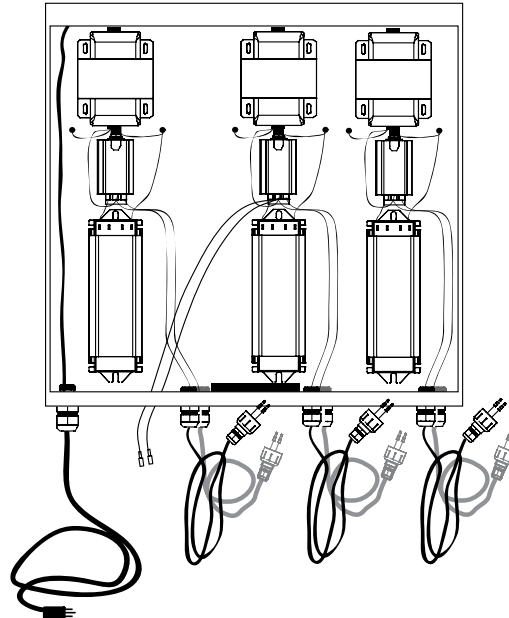
**Viper 800 Trans 208/220/240V-60Hz**



**Viper 1200 Trans 208/220/240V-60Hz**



**Viper 1200 Trans 110V-60Hz**



# VIPER REPLACEMENT PARTS

A40061	Clip Connectors for Viper Lamps, Male/Female	A40139	Quartz Cap for Viper 2" / 3" Plastic Units White
A40115	Quartz Cap For Viper Stainless Steel Units (Clear)	A40142	Quartz Cap for Viper 6" Plastic Units (Grey)
A40015	Rubber Seal Bushing (O-Ring) for Viper - SS Unit	A40006	Rubber Seal for Viper 400
A40016	Rubber Seal For Viper 800/1200	A40174	EZ Twist Top With Black O-Ring, for Viper
A40014	O-Ring for EZ Twist Top		

## LAMP KITS FOR VIPERS:

Includes: The Lamp, Quartz Sleeve in the Indicated Size, Rubber Seal Bushing and Rubber Seal

A20402	Lamp Kit For Viper 400W 2" Stainless Steel (6.5" QS) 1/Set	A20404	Lamp Kit For Viper 400W 2" Plastic (15.5" QS) 1/Set
A20403	Lamp Kit For Viper 400W 3" Stainless Steel (8" QS) 1/Set	A20406	Lamp Kit For Viper 400W 3" Plastic (15.5" QS) 1/Set
A20412	Lamp Kit For Viper 400W 6" Stainless Steel (14" QS) 1/Set	A20401	Lamp Kit For Viper 400W 6" Plastic (14" QS) 1/Set
A20802	Lamp Kit For Viper 800W 3" Multi-Unit S/S (8" QS) 2/Sets	A20800	Lamp Kit For Viper 800W 6" Plastic (14" QS) 2/Sets
A20801	Lamp Kit For Viper 800W 3" Multi-Unit Plastic (15.5" QS) 2/Sets	A21200	Lamp Kit For Viper 1200W 6" Plastic (14" QS) 3/Sets

## VIPER TRANSFORMER PARTS

AS39406	Viper 400W Transformer 110V/ 60Hz, (For Plastic Unit)	AS39408	Viper 400W Transformer 220V/ 60Hz, (For Plastic Unit)
AS39403	Viper 400W Transformer 110V/ 60Hz, (For S/S Unit)	AS39407	Viper 400W Transformer 220V/ 60Hz, (For S/S Unit)
AS39806	Viper 800W Transformer 220V/ 60Hz, (For Plastic Unit)	AS39121	Viper 1200W Transformer 220V/ 60Hz, (For Plastic Unit)
AS39404	Viper 400W Raw Transformer	AS39405	Viper 400W Raw Transformer and Ignitor
A30106	Viper SL Step Transformer	A40167	Cooling Fan
A40113	Transformer Cap, Black, (for Stainless Steel Units)	A40023	Transformer Cap, Clear (for Plastic Units)
A40061	Clip Connectors for Viper Lamps, Male/Female	A40109	Davis Connector