

Quick Sink Self Weighted Diffusers

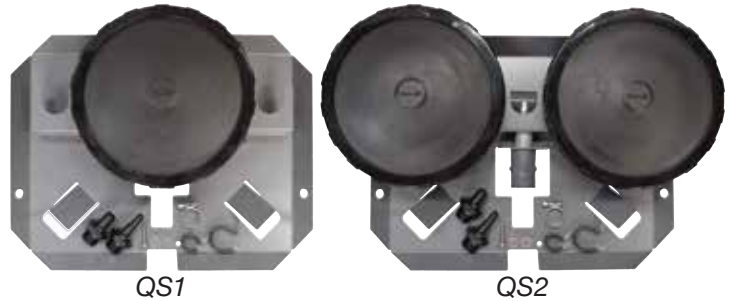


EasyPro Quick Sink Self Weighted Diffuser Assemblies are designed to be placed at the bottom of a pond or lake. The self weighted design eliminates need for gravel and reduces installation time.

The Quick Sink diffuser assembly features round rubber (EPDM) membrane diffusers with thousands of holes which produce small air bubbles when supplied with air from an on shore compressor. These bubbles rise to the surface and create circulation that helps destratify and aerate the water body.

Features:

- Low maintenance 10" rubber membrane diffusers in single or double configuration
- Self weighted, powder coated steel base
- Strain relief hardware for fast and secure installation
- Fine bubble diffusers for maximum lift and oxygen transfer efficiency
- Low, head pressure loss
- Includes inlet air fittings for $\frac{3}{8}$ ", $\frac{1}{2}$ " or $\frac{5}{8}$ " ID tubing
- Unique barbed fittings with built in check valves to keep water out of tubing
- Designed for fresh water applications
- Five year warranty

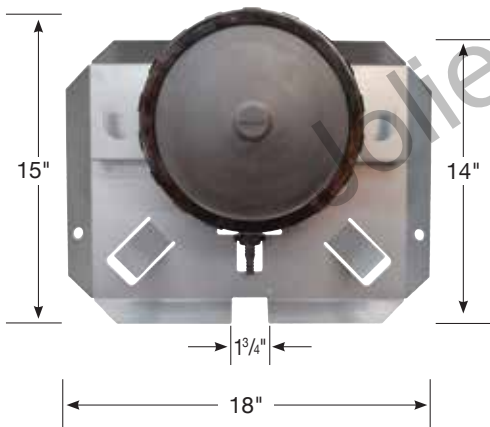


Units include:

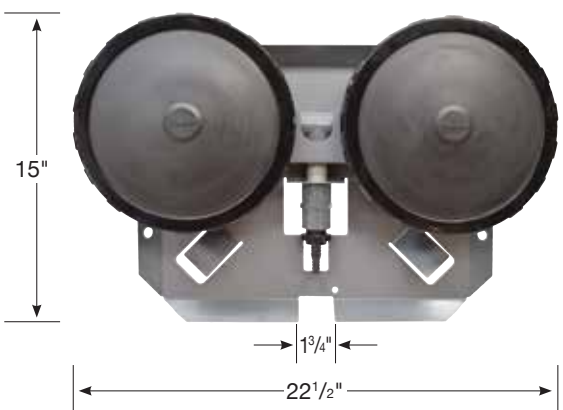
- Self-weighted base with installed Schedule 80 plumbing
- 10" rubber membrane diffuser disk(s) with $\frac{3}{4}$ " mpt inlet
- Unique barbed check valve fittings
- Stainless steel hose clamps and strain relief hardware

Dimensions:

QS1



QS2



Applications:

- Recreation and Fishing Ponds
- Lakes
- Lagoons
- Golf Course Ponds
- Irrigation Ponds

Specifications:

- **QS1** - Recommended air flow .8-3 cfm
- **QS2** - Recommended air flow 1.6 - 6 cfm

Overall Height:

QS1 & QS2



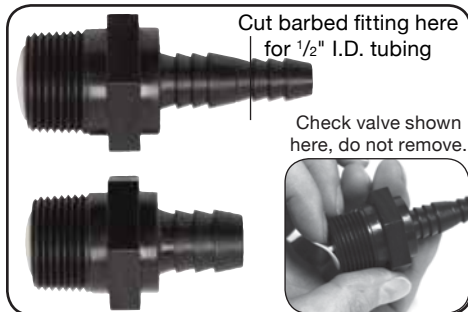
QS1



QS2



Quick Sink Self Weighted Diffuser Assembly Instructions



1. $\frac{3}{4}$ " MPT barbed check valve is designed to be used with $\frac{1}{2}$ " or $\frac{3}{8}$ " I.D. tubing. Use larger barbed fitting for $\frac{5}{8}$ " ID tubing



2. Screw in correct barbed fitting until snug. **Do not over tighten**, hand tighten only.



3. Screw diffuser(s) onto $\frac{3}{4}$ " FPT on top of unit. Snug fitting by hand. **Do not over tighten.**



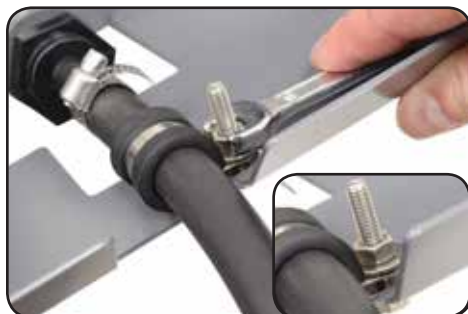
4. Use supplied hose clamp, slip loosely over end of tubing and push tubing tightly onto the fitting.



5. Slide hose clamp over fitting and fasten with regular screwdriver or nut driver.



6. Fit padded hose clamp over tubing. (Use 17.5mm clamp for $\frac{3}{8}$ " tubing or 25.5mm clamp for $\frac{1}{2}$ " and $\frac{5}{8}$ " tubing)



7. Use washer on both sides of base. Insert 10mm bolt from bottom side and tighten nut to clamp down tubing and provide strain relief.



8. Use rope looped through holes in base to assist lowering assembly to pond bottom. Carry only by base, do not lift by diffusers.

