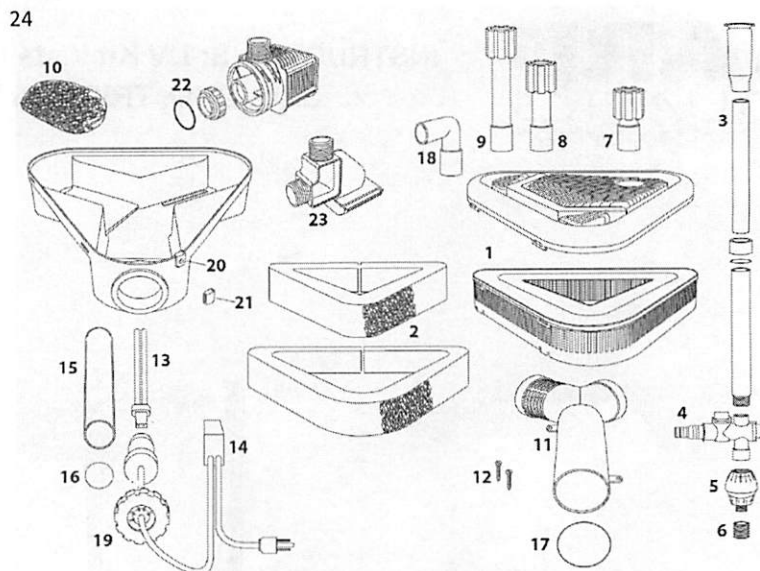




## INSTRUCTIONS: UV Kit Installation For LIFEGARD UNO, DUO, TRIO FILTER and KITS



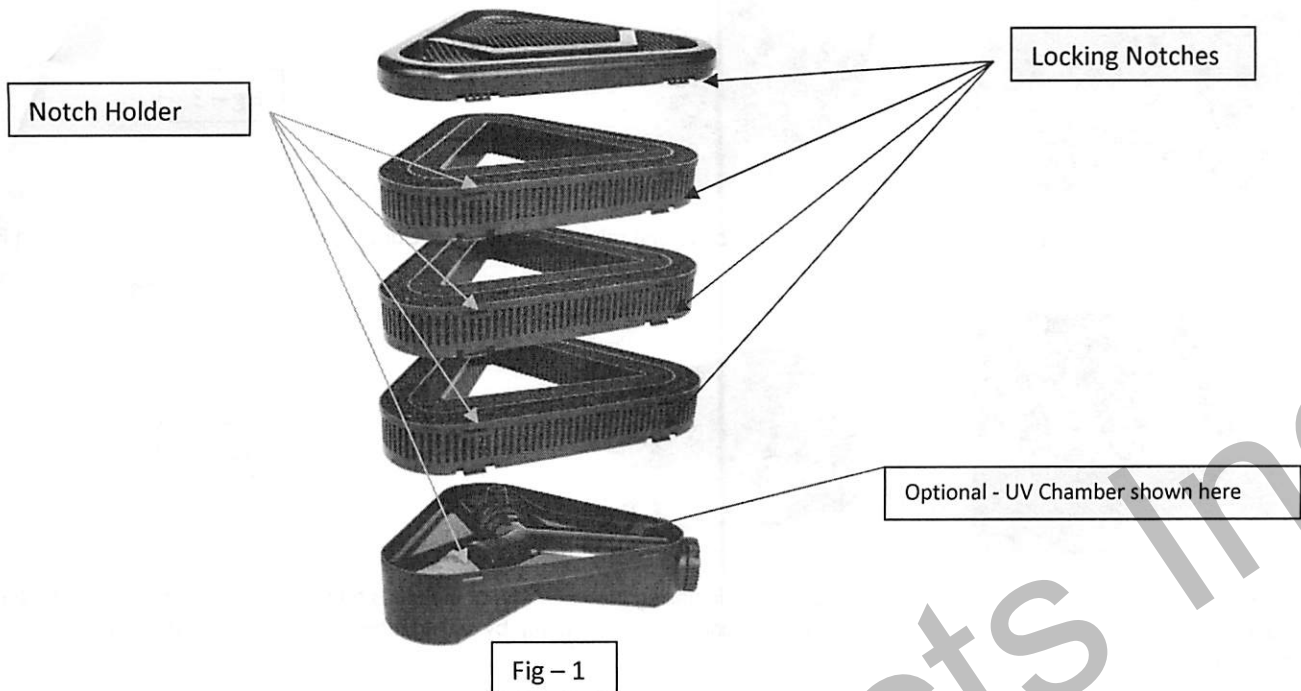
**NOTE: Before starting any work on your All in One Filter System make sure to unplug all electrical components. The UV should not be on when there is no water flow. Do Note look directly at the UV.**



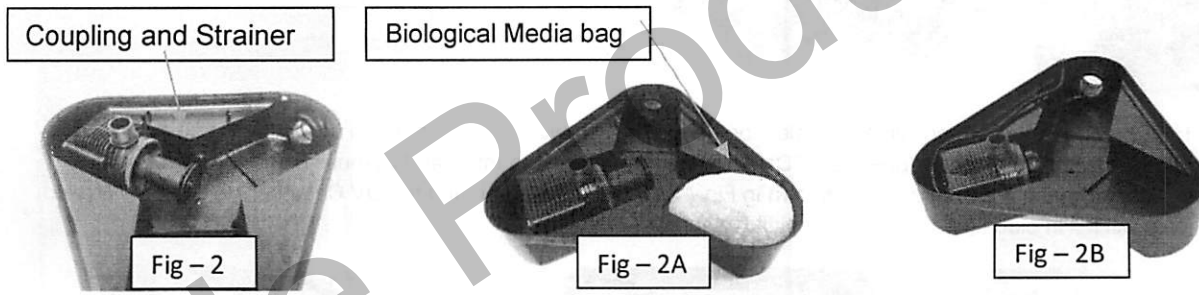
Item	Part No.	Description	Item	Part No.	Description
1	R440024	Add-on Cartridge (complete layer includes sponges)	14	R442014	13 Watt UV Ballast Assembly (Optional)
2	R440026	Replacement Sponges Only	15	R442015	UV Quartz Sleeve (Optional)
3	R442004	Fountain Kit Complete	16	R442016	Gasket for UV Quartz Sleeve (Optional)
4	R442005	Diverter Valve	17	R442017	"O" Ring for internal UV Housing (Optional)
5	R442006	Leveling Fitting for Fountain Kit	18	R442018	1" MPT x 90 Degree Insert Fitting
6	R270484	1" MPT x Close Threaded Nipple	19	R442019	UV Light Cover with Nut (Optional)
7	R442007	Single Layer Locking Assembly	20	R442020	Rubber Cord Grommet
8	R442008	Double Layer Locking Assembly	21	R442021	Rubber Solid Grommet
9	R442009	Triple Layer Locking Assembly	22	R442022	Pump to UV Chamber Adapter with "O" Ring
10	R442010	Biological Media Bag	23	R442023	Pump Replacement Base
11	R442011	UV Chamber (Optional)	24	R442024	Quiet One -2200 Pump for R440021 Uno Filter *
12	R442012	UV Chamber Screws (Optional)	24	R442025	Quiet One -3000 Pump for R440022 Duo Filter *
13	R442013	13 Watt UV Bulb (Optional)	24	R442026	Quiet One -4000 Pump for R440023 Trio Filter *

Step – 1: Remove the Layer Locking Assembly (Item # 7, 8, or 9) that is holding down the Housing Cover Top. Take off the layer (Item # 1) by gently sliding the locking Notches (see Fig – 1)

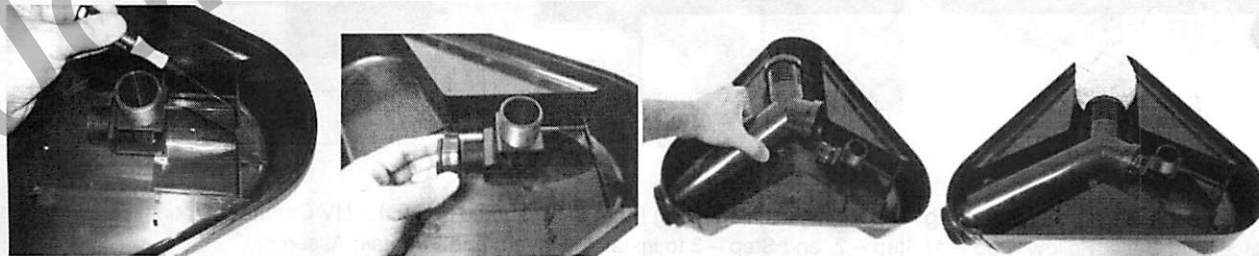
\*All Quiet One Pumps come with 20' Cord



Inspect the Pump (Item # 11) and remove the Coupling and Strainer. Remove the Biological Media bag (Item # 10) should be opposite to the pump suction (see Fig - 2A). Note that the Pump slides forward to unlock and slide back to lock. If pump are not slid all the way back to the Pump Base Wall as see in Fig - 2A - they will not lock into the UV Chamber.



**NOTE: If you are installing a UV kit on a UNO, DUO or TRIO Filter only, you will not have a pump instead there is a Pump Replacement Base (Item # 23).**



Step - 1 By following Fig - 3 Thread on (Item # 22) R442022 - Pump to UV Chamber Adapter with "O" Ring to the pump (as shown in Fig - 2B).

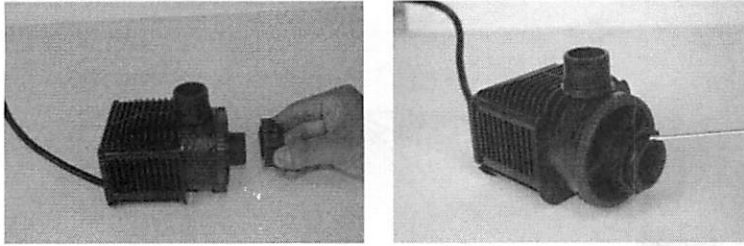


Fig - 3

Step - 2: Run the pump cord along the cord holders on the base and reinstall the Rubber Cord Grommet (Item # 20) (as shown in Fig - 4)

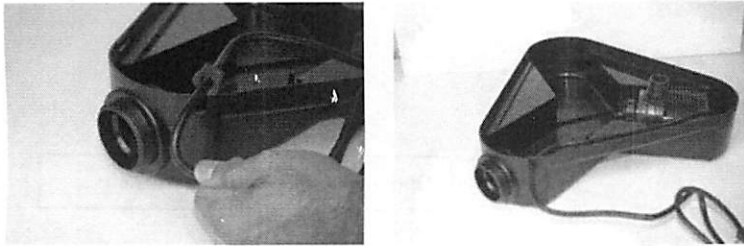


Fig - 4

Step - 3: Start to reinstall the UV Housing Chamber by first installing the open end of the Housing that goes over the "O" ring for the Internal UV Housing. Slide it gently and press the end that connects to the pump by sliding it onto the "O" ring of the Pump to UV Chamber Adapter (as shown in Fig - 5).

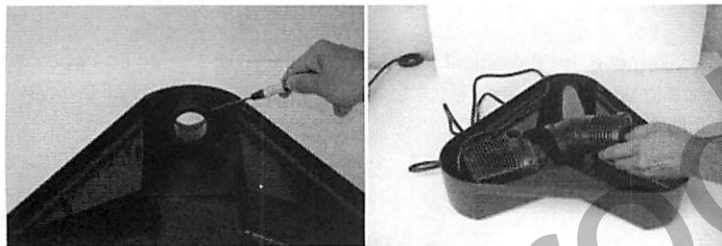


Fig - 5

Step - 4: Adjust the UV Chamber housing and Align the holes for the locking screws. You may need to adjust the Pump to UV Chamber Adapter so the screws align properly (see Fig - 6C) while the "O" ring for the Internal UV Housing and the "O" ring of the Pump to UV Chamber Adapter make a proper seal (as shown in Fig - 6A). Once the pump and the UV Chamber Housing are aligned correctly the screw holes will fall in place (see Fig - 6B). Install the screws.

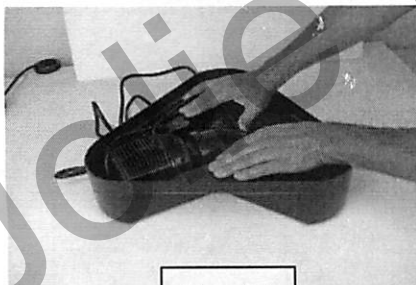


Fig - 6A

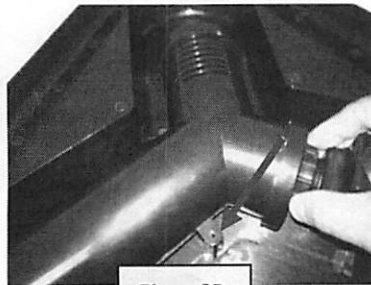


Fig - 6B

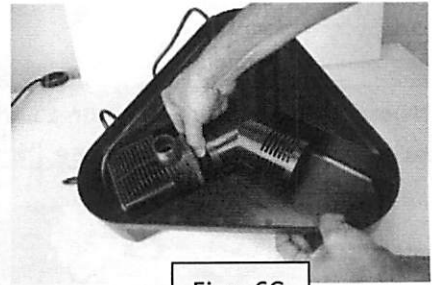


Fig - 6C

Step - 5: Replace the Biological Media Bag. The Biological Media bag (Item # 10) should be by the UV Chamber Opening opposite the Pump Replacement Base. Follow Step - 1, Step - 2, and Step - 3 to install the layers and Fountain Assembly.

**R440028 13 WATT UV STERILIZER KIT**

Upgrade your Uno, Duo, Trio Filters with a 13 Watt UV to control Algae and Disease Control. Complete easy-to-install unit shipped direct from factory.

Item	Part No.	Description
11	R442011	UV Chamber
12	R442012	UV Chamber Screws
13	R442013	13 Watt UV Bulb
14	R442014	13 Watt UV Ballast Assembly
15	R442015	UV Quartz Sleeve
16	R442016	Gasket for UV Quartz Sleeve
17	R442017	"O" Ring for Internal UV Housing
19	R442019	UV Light Cover with Nut
22	R442022	Pump to UV Chamber Adapter with "O" Ring

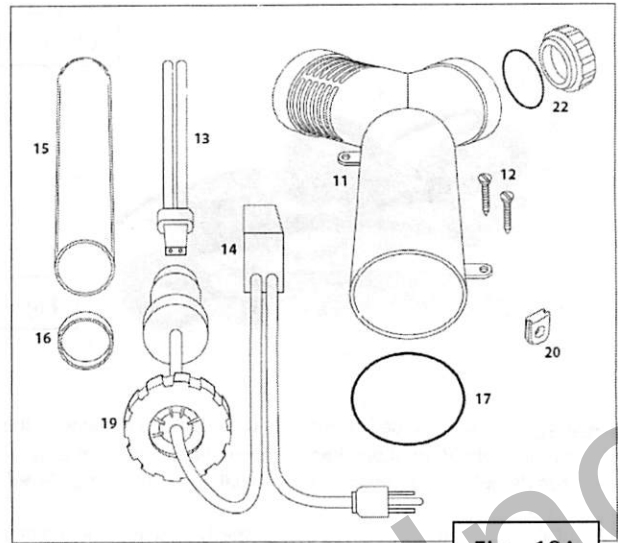


Fig - 10A

For any replacement parts – Please call the manufacturer to find a local retail store:

**Lifeguard Aquatics**

16301 Carmenita Road  
 Cerritos, CA 90703  
 Tel (562)404-4129  
 Fax (562)404-4159

Email: [info@lifeguardaquatics.com](mailto:info@lifeguardaquatics.com) Web Site: [www.lifeguardaquatics.com](http://www.lifeguardaquatics.com)

**UV Installation:** UV is an add-on feature for UNO, DUO and TRIO Filter and Kits. You can purchase it directly from the manufacturer (contact information listed below). Adding UV helps control Algae and Disease in your system. Fig – 10A shows the components of your UV Kit. Install the UV Bulb (Item # 13) into the Ballast Connector (Item # 14) (see Fig – 10B). Install the O-Ring (Item # 16) onto the Quartz Sleeve (Item # 15) as seen in Fig – 10C. The tapered end of the O-Ring slides onto the Quartz Sleeve first as seen in Fig – 10C and 10D. Slide the Quartz Sleeve with the O-Ring onto the UV Bulb as shown in Fig – 10E. The Quartz Sleeve should slide into the groove of the Clear View Cover (Fig – 11A). Slide the complete assembly into the filter base (Fig – 10F). Align the Guide Notch (Fig – 11B and 10G) on the Filter base with the Clear View Cover and push it all the way in (Fig – 10G). Lock the assembly in place with the UV Light Cover Nut (Item #19). Make sure the Ballast (Item # 14) is not exposed to moisture and the wiring is laid out safely. Connect the Ballast cable to power. You should see the Blue Glow of the UV Light. NOTE – In case of any water contact with the electrical components the circuit breaker will trip.

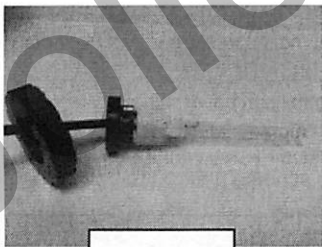


Fig - 10B

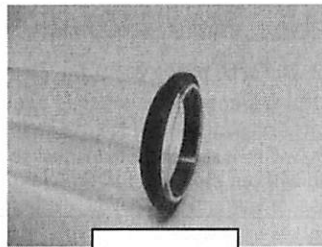


Fig - 10C

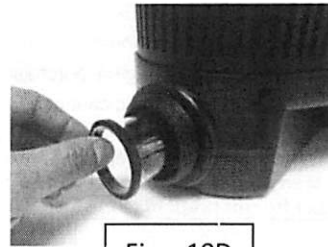


Fig - 10D

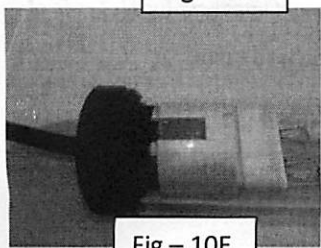


Fig - 10E

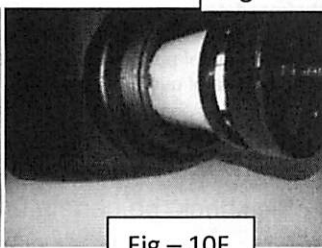


Fig - 10F

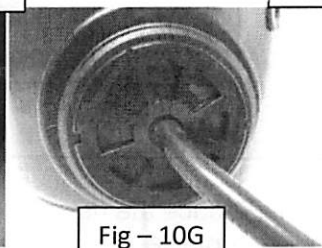


Fig - 10G

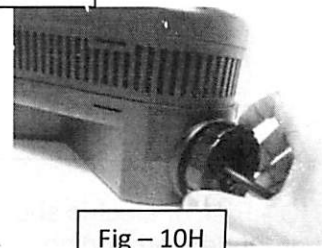
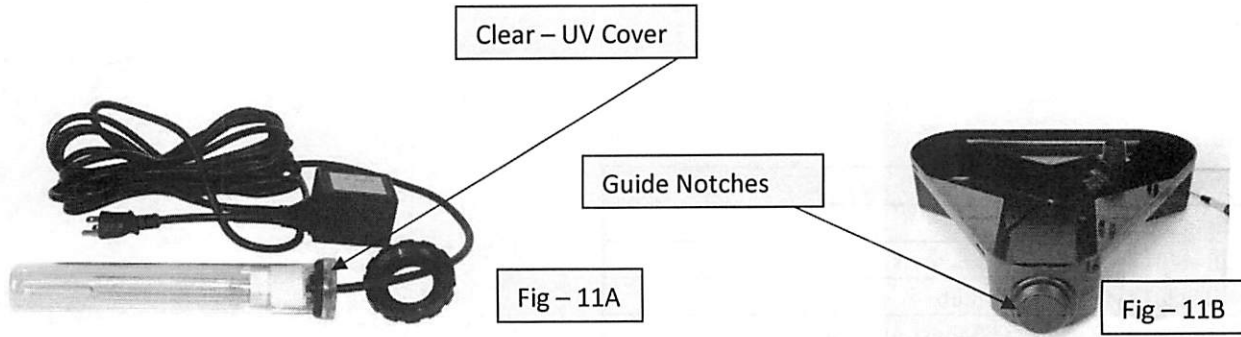


Fig - 10H





**WARRANTY:** Lifegard Aquatics warrants the original purchaser of the product against defective material and workmanship under normal use, for a period of 1 year from the date of purchase. Replacement liability in all events is limited to the replacing or repairing at Lifegard Aquatics sole discretion of any part or parts, which are defective in material or workmanship. Proof of purchase is required on all claims in the form of invoice copy, sales ticket, etc.

**APPLICATION:** Warranty covers only properly installed and maintained units.

**INSTALLATION and/or REMOVAL CHARGES:** Warranty does not cover any costs associated with the installation or removal of products subject to warranty claims.

**DISPOSITION:** Lifegard will make a good-faith effort for prompt disposition regarding any item in warranty, which proves to be defective. If products were damaged in transit, please file a claim with the carrier.

**DISCLAIMER:** Lifegard Aquatics will not be liable for any labor cost of removing or replacing component parts. This shall be the responsibility of the original purchaser, as will be the shipping charge to Lifegard Aquatics facility. Any oral statements about the product made by the seller, the manufacturer, the representatives or any other parties, do not constitute warranties, should not be relied upon by the user, and are not part of the contract for sale. Seller's and manufacturer's only obligation and buyer's and user's only remedy, shall be for the manufacturer to either replace and/or repair at the manufacturer's sole discretion the Lifegard product as described above. Neither seller nor the manufacturer shall be liable for any injury, loss or damage, direct, incidental or consequential (including, but not limited to, incidental or consequential damages for lost profits, lost sales, injury to person or property, or any other incidental or consequential loss), arising from any cause whatsoever, no matter whether based upon warranty, contract, negligence or other misuse, and the buyer and user agree that no other remedy shall be available to them. Damage or failure of any part of a unit covered by this warranty, which results from causes directly, or indirectly connected with the installation, operation, environment, use or willful abuse, including without limitations, improper repackaging and damage incurred in shipping is not covered by this warranty. Unless state law provides otherwise, the manufacturer will only be responsible for repair or replacement of any of its products or parts that are found to be defective, and will not bear any cost of any incidental or consequential damages arising out of the occurrence of such defect. Before using, the buyer and user shall determine the suitability of the product for the intended use, and assumes all risk and liability whatsoever in connection herewith. The warranty and remedy described in this limited warranty is an **EXCLUSIVE** warranty and remedy. **IN LIEU** of any other warranty or remedy, expressed or implied, which other warranties and remedies are hereby expressly **EXCLUDED**, including but not limited to any implied warranty of **MERCHANTABILITY OR FITNESS FOR A PARTICULAR PURPOSE**. This Warranty gives buyer and user specific legal rights, and buyer and user may also have other rights that vary from state to state. Some states do not allow the exclusion or limitations of incidental or consequential damages, so the above limitation or exclusion may not apply to you.

Warranty period starts from date of purchase and must be validated with copy of original purchase receipt.

- Warranty requests by phone will not be honored.
- Warranty items returned without copy of original purchase receipt will not be honored.
- Products purchased from eBay, craigslist, etc cannot be honored for warranty unless returned through original purchaser with proof of purchase.
- All items must first be returned to Lifegard Aquatics for inspection, evaluation, and processing to determine if product qualifies for warranty replacement or repair. No warranty (repair, replacement, or credit) will be issued prior to inspection of product. **Please contact us first for warranty assistance. Many times the product can be repaired without the cost and time involved in sending it back to us.** If absolutely necessary, return product **freight prepaid** to the following address for warranty evaluation and processing.

**Lifegard Aquatics**  
 16301 Carmenita Road  
 Cerritos, CA 90703  
 Tel (562)404-4129  
 Fax (562)404-4159  
 Email: [info@lifegardaquatics.com](mailto:info@lifegardaquatics.com)  
 Web Site: [www.lifegardaquatics.com](http://www.lifegardaquatics.com)

- **3 year warranty** from date of purchase on **Quiet One Pump Motors Only.**
- **60 day warranty** from date of purchase on **Shafts and Impellers for All Types of Pumps.**
- **60 day warranty** from date of purchase on all **Ultraviolet Bulbs.**
- **1 year warranty** from date of purchase on **All**

**WARNING - Risk of electric shock.** To reduce the risk of electric shock, be certain that it is connected only to a properly grounded, grounding - type receptacle.