



# Seedling™ High Chair

Instruction Manual

**IMPORTANT! KEEP FOR FUTURE REFERENCE**



Congratulations on your purchase of the OXO Tot Seedling High Chair, a Chair that's there for you from baby's first bites to their transition to the big kid table. The Seedling High Chair will stay with your child from 4 months to 3 years, adjusting with them as they grow.

We introduced OXO Tot to address common parental pet peeves, and to offer parents thoughtful products that help guide, nurture and care for their little ones.

As with all OXO products, we examined every aspect of these products, from how children hold their utensils to their pincer grasps; from where their noses hit the top of a Sippy Cup, to how they sit on high chairs and booster seats; from how parents clean and store multiple baby bottles to how they tackle diaper changes with one free hand. We looked for ways to make improvements that would be most meaningful to parents and children.

Each product, from our high chairs to our sippy cups, is tested in real homes with real parents and children (including our own!) to ensure that we provide only the best-designed products possible — those that fit the needs and stand up to the use and abuse of all who will use them. We proudly use these products daily and it is our sincere hope that these products exceed your expectations.

Please read instructions carefully before assembling your Seedling High Chair.

Complies with ASTM F404-10 and EN 14988:2012

## SEEDLING™ HIGH CHAIR

Perfect for tots from 4 months to 3 years

Seat has 3 reclining positions and 5 height settings for optimal comfort

Adjustable 5 point harness provides maximum safety and a secure fit

Large buttons are comfortable and intuitive for easy adjustments

Cushion is stain resistant, wipeable and easily removable for machine washing (Cushions sold in the UK are hand wash only)

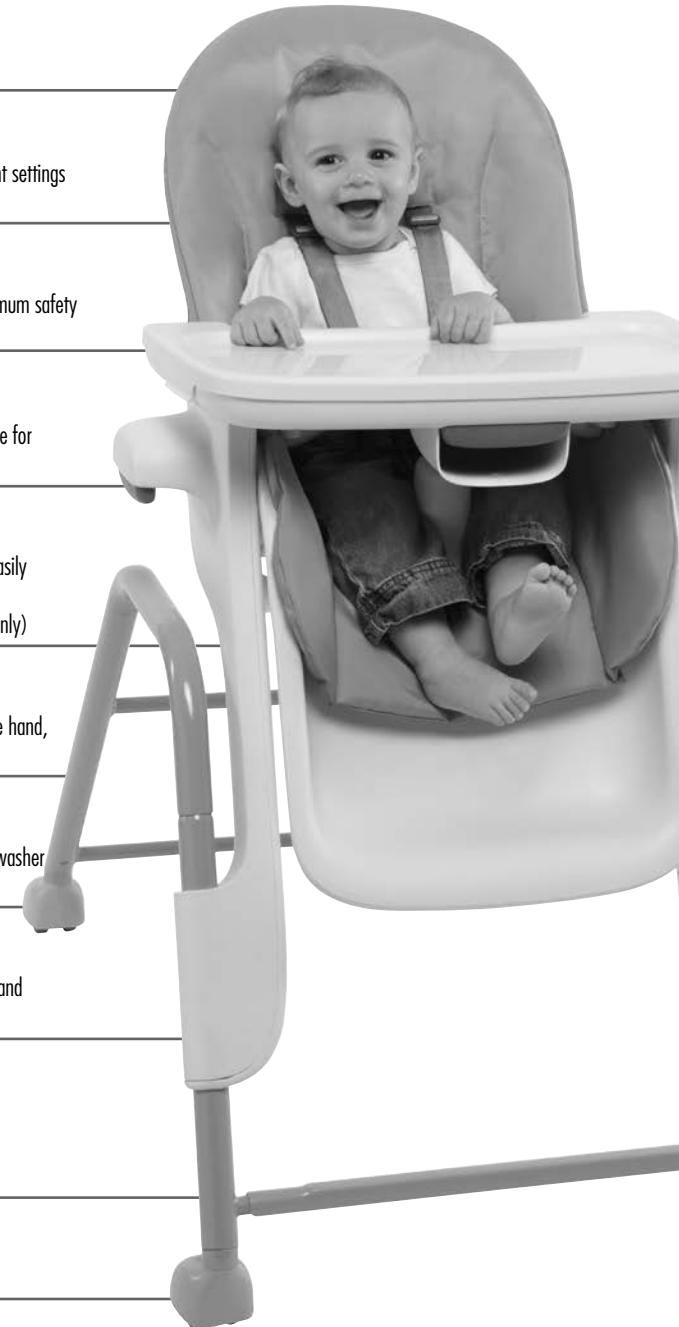
Tray is easy to remove or replace with one hand, leaving the other hand free for baby

Tray cover is removable and top-rack dishwasher safe for easy clean-up

Coated, locking wheels provide flexibility and mobility, and resist scratching wood floors

Main Tray rests flat on a table to prevent spills and stores on back of legs for added convenience

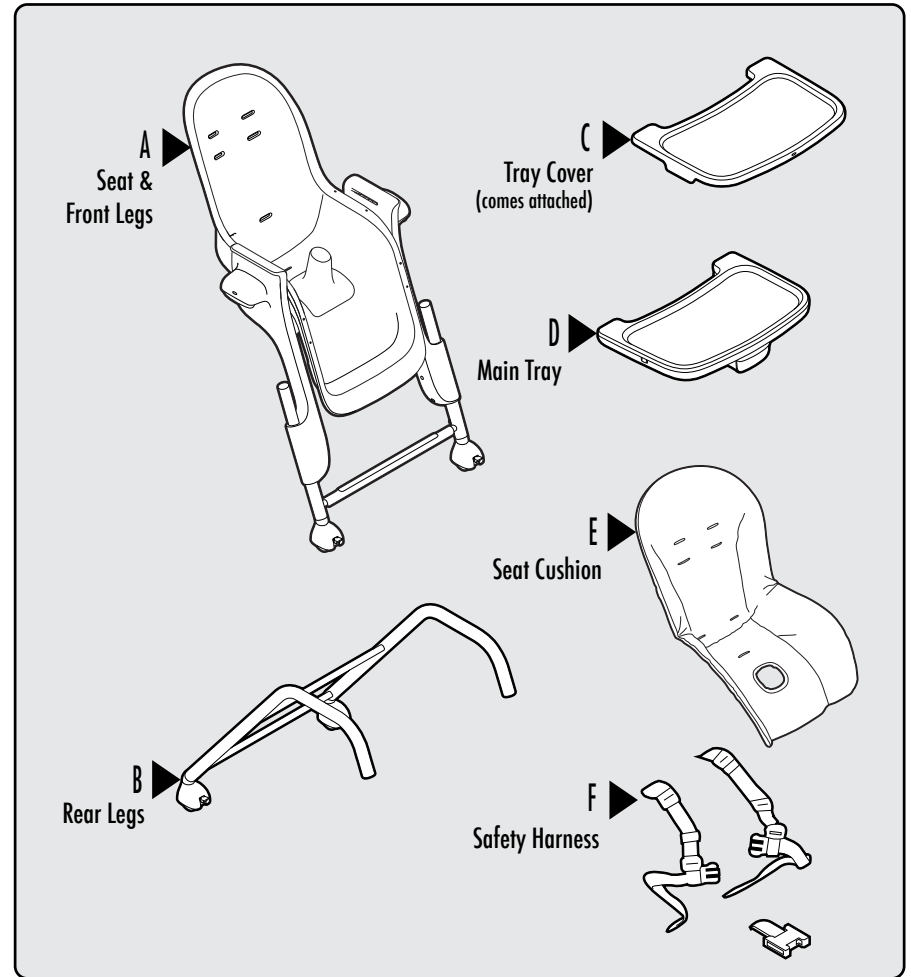
Tool-free assembly and adjustment



## CONTENTS

Included .....	4
Assembling High Chair .....	5
Assembly .....	6
Rear Leg Attachment .....	6
Recline Adjustment .....	7
Height Adjustment .....	7
Tray Attachment/Adjustment .....	7
Tray Removal .....	7
Tray Cover Removal .....	8
Tray Storage .....	8
Wheel Locking .....	9
Securing Child .....	
Attaching Harness .....	10
Harness Removal .....	10
Harness Adjustment .....	10
Cushion Removal/Attachment .....	10
Storage .....	
Full Recline .....	11
Leg Removal .....	11
Care, Cleaning & Storage .....	12
Replacement Parts .....	12
Warranty .....	12
Registration .....	12
Contact Us .....	13

## INCLUDED



\*Note: Some versions of Seedling High Chair do not have wheels on rear legs

# ASSEMBLING THE HIGH CHAIR



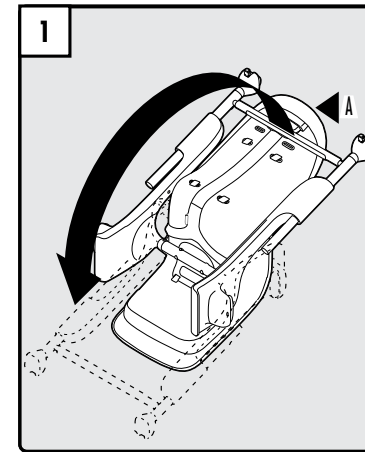
## ⚠️ WARNING

Failure to follow these warnings and the assembly instructions could result in serious injury or death.

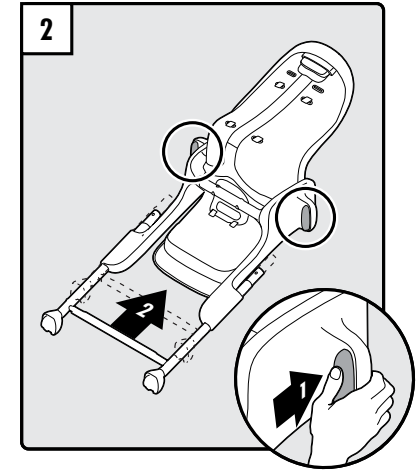
- Prevent serious injury or death from falls or sliding out
  - ALWAYS secure child in the restraint, the tray is not designed to hold child in product.
  - NEVER leave child unattended. Always keep child in view while in High Chair.
  - ALWAYS snugly adjust the restraint around child. Children can slide through or stand up in loose restraints.
- Only children capable of sitting upright unassisted should use the upright recline position. A child's head may fall forward restricting the airway and causing difficulty breathing if they are placed in the upright recline position before they are able to hold their head upright unassisted.
- Prevent pinching and injury from falls: Never adjust the seat recline or height position with child in the High Chair.
- Do not use High Chair unless all components are correctly fitted and adjusted.
- Discontinue use of High Chair if parts are missing, damaged or broken.
- Discontinue use of High Chair when child's weight exceeds 45 lbs (20 kg).
- Prevent strangulation: Never place High Chair near blind cords, drapes, or other cords where a child could reach them.
- NEVER use High Chair near stairs.
- Keep High Chair away from open fire and other sources of strong heat (electric and gas fires).
- NEVER pick High Chair up with child in it.
- For your child's safety, read the labels and the owner's manual before using the product.
- Follow assembly instructions carefully. If you experience any difficulties, please contact our customer service department at 1-800-545-4411 or 0114 290 1455(UK). Outside U.S. and UK contact your local distributor or info@oxo.com. DO NOT substitute parts
- Adult assembly required.
- Save this owner's manual for future use.

## ASSEMBLY

### Front Leg Positioning



Lay seat flat on the floor, facing down. Rotate the Front Legs (A), located behind the seat back, until they snap into place.

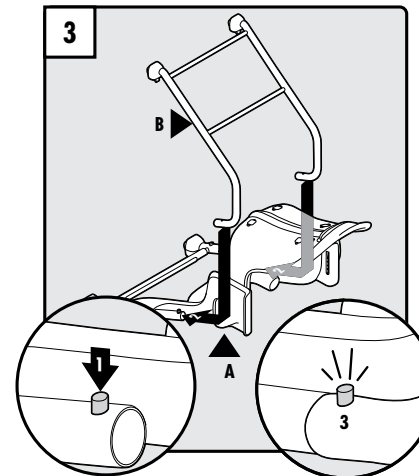


With seat laying face down on the floor:

1. Stand behind Front Legs, facing bottom of seat. Press height adjustment buttons on either side simultaneously.
2. While holding height adjust button, use your foot to push the Front Legs towards the seat bottom and into their lowest position.

**Note:** If Front Legs are already in lowest position, proceed to the next step.

### Rear Leg Attachment



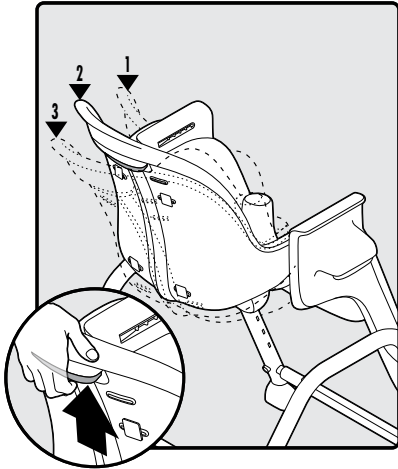
With seat laying face down on the floor, slide Rear Legs (B) onto Front Legs (A). Depress metal buttons on Front Legs to slide the Rear Legs into place. Metal buttons will snap into place when legs are fully secure. Stand chair upright.

## ⚠️ WARNING

If the buttons do not snap into place, they are not secure. If this occurs, remove the Rear Legs and repeat Step 3.

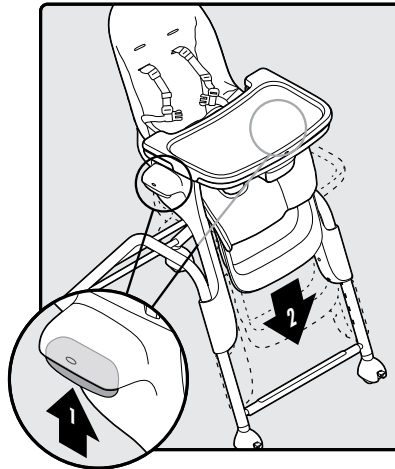
## ADJUSTMENT

### Recline Adjustment



Depress recline button to recline the chair. Chair can be reclined in three positions. 1) Upright, 2) Middle, 3) Full recline.

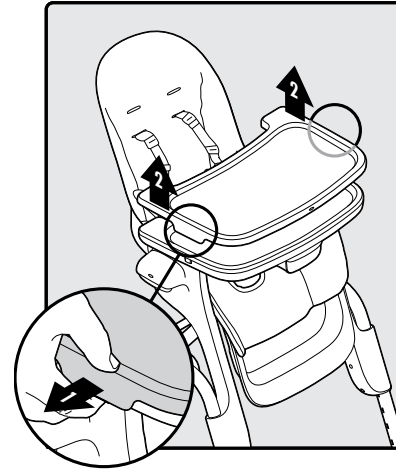
### Height Adjustment



Press height adjustment buttons on either side simultaneously. Set to desired height. Ensure that the chair is securely locked in the chosen height position before placing child in seat.

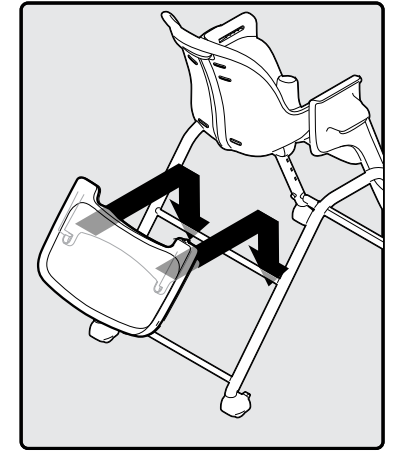
## TRAY USE

### Tray Cover Removal



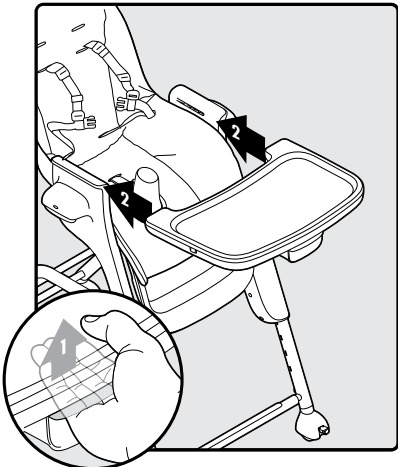
Pull tabs on either side of the Tray Cover and lift off of Main Tray. To reattach, align Tray Cover over Main Tray and push down.

### Tray Storage



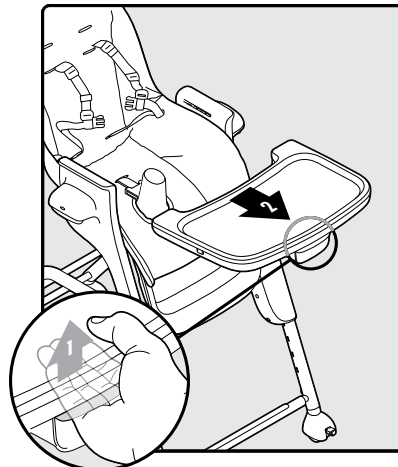
Hook tabs on underside of Main Tray over upper bar on rear legs for secure storage.

### Tray Attachment/Adjustment



1) Depress tray button and slide Main Tray on to Chair.  
2) To adjust Main Tray depth, compress button.  
Slide Main Tray into desired position and release button.

### Tray Removal



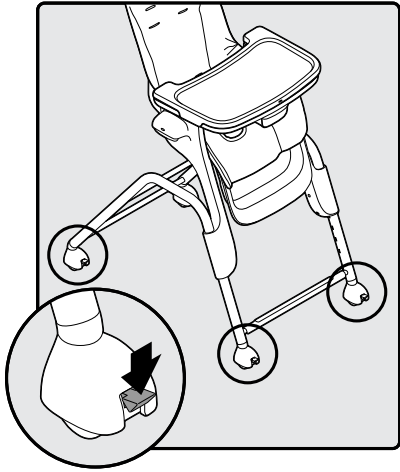
Depress tray button and pull out to remove Main Tray.

## ⚠ WARNING

- Only children capable of sitting upright unassisted should use the upright recline position.
- Prevent pinching and injury from falls: Never adjust the seat recline or height position with child in the High Chair.
- Keep child's hands and feet clear of armrests and crotch posts when securing tray. Keep hands clear of Main Tray when securing Tray Cover.
- Main Tray is not dishwasher safe or microwave safe. Excessive heat can damage the tray. Do not place Main Tray in dishwasher or microwave.
- Tray Cover is top-rack dishwasher safe.

## ADJUSTMENTS

### Wheel Locking



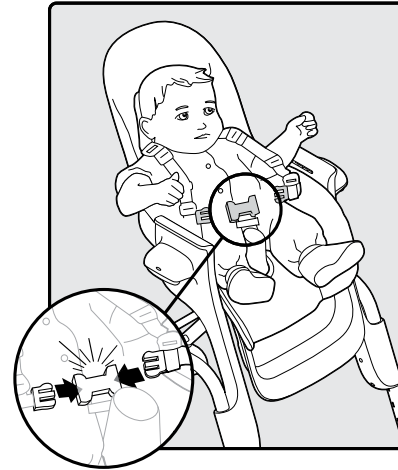
Depress tab on wheels to lock in place. Make sure all four tabs are depressed. To unlock, lift up all four tabs.

## ⚠️ WARNING

- Prevent falls from child standing or falling over side of High Chair. Always use the shoulder belts with waist belt.

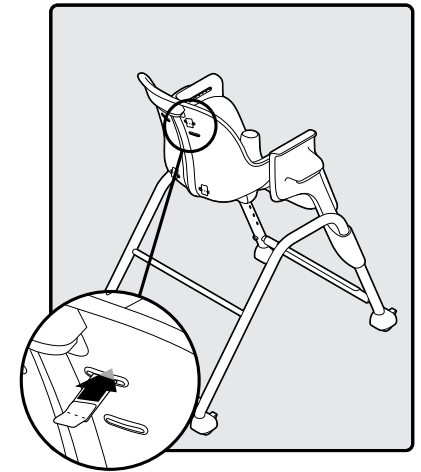
## SECURING CHILD

### Attaching Harness



Place child's arms through shoulder straps. Position the center strap between child's legs. Fasten waist / shoulder straps to the center buckle. You will hear a "click" when buckles lock.

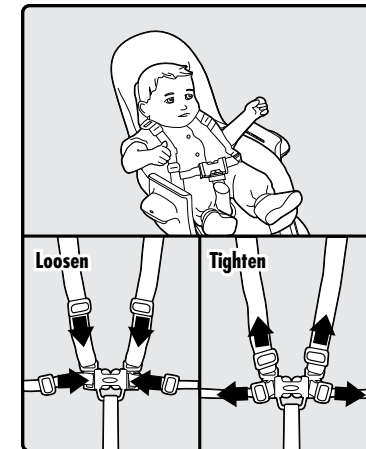
### Harness Removal



Remove shoulder and waist straps from seat back by fitting the "T" end of each strap through the slots in the back.

**Note:** When re-installing Safety Harness Straps, make sure straps go through both cushion and chair slots.

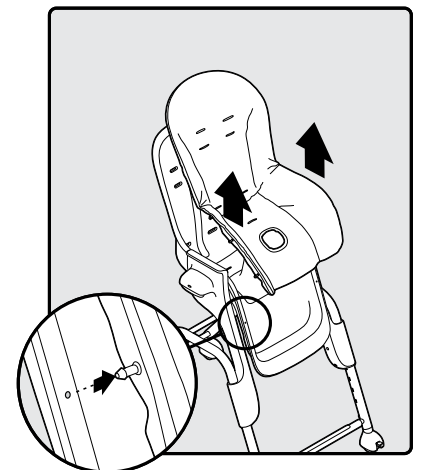
### Harness Adjustment



Tighten the waist and shoulder straps to make sure the restraint system is snug. To loosen, slide the buckles towards the center. To tighten, slide the buckles away from the center.

**Note:** There are two height positions for the shoulder straps. The shoulder straps should sit at or just below your child's shoulders. Position straps in lower slots for a younger child. As your child grows, please note the shoulder strap position. As soon as you notice the shoulder straps below the shoulder blades, re-position them to the upper slots to fit appropriately.

### Cushion Removal/Attachment

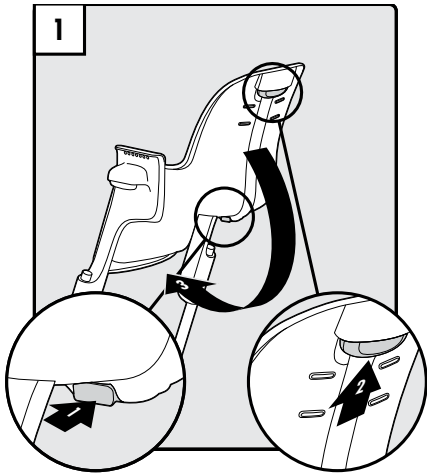


To remove Seat Cushion, detach cushion pegs by pulling edges of seat Cushion away from seat. Pegs will release from holes in seat. Seat Cushion can be machine washed. (Cushions sold in the UK are hand wash only).

To re attach, position top of Cushion around upper seat back. Press pegs through holes until they are securely in place.

## STORAGE

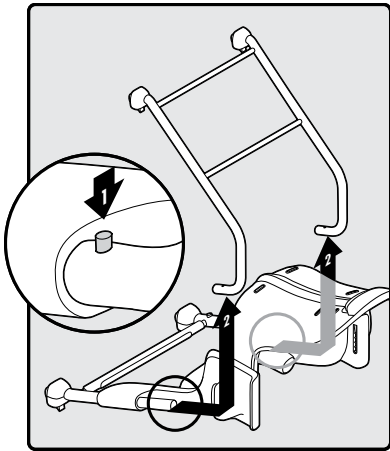
### Full Recline



For long-term storage, your Seedling High Chair can be collapsed for compact storage. While holding the Seat and Front Legs up:

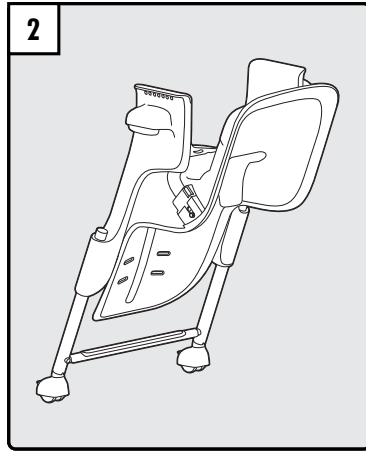
1. Press Over-Recline Button on bottom of Seat
2. While holding Over-Recline Button, simultaneously press Recline Button on top of seat back
3. Rotate the Seat backwards until it lays flat against the Front Legs

### Leg Removal



Lay chair facing down.

1. Depress metal button on Front Legs and slide Rear Legs up
2. Remove Rear Legs from Front Legs



Once fully reclined the chair will look like this.

## CARE, CLEANING & STORAGE

### CARE

- Excessive heat can damage the Main Tray
- Do not place Main Tray in the dishwasher or microwave
- Tray Cover is dishwasher safe
- Chair is not for outdoor use
- Protect from excessive exposure to water and moisture

### CLEANING

- Main Tray, plastic on High Chair and Safety Harness are surface wash only
- Wash with mild soap and water; rinse with clean water and wipe dry
- Do not use abrasive cleaners or scrubbing pads
- Seat cushion is machine washable (Cushions sold in the UK are hand wash only)
- Tray Cover is top-rack dishwasher safe

### STORAGE

- Store all parts in a cool, dry location
- Do not store outside or where High Chair can be exposed to moisture or water

### REPLACEMENT PARTS

If parts are missing, damaged or broken, contact OXO Customer Service. See page 13 for contact information.

### LIMITED WARRANTY

OXO warrants that this product is free from defects in workmanship for 4 years from the date of purchase on all metal and plastic parts. There is a 1 year warranty on all cushion and harness straps. A receipt indicating the purchase date is required for warranty claims.

This warranty does NOT cover damage resulting from normal wear and tear, accident, misuse, abuse, alterations, attempts at repair or use with unauthorized attachments or the failure to follow instructions provided with the product. For warranty and service questions please contact OXO customer service.

### SATISFACTION GUARANTEE

OXO offers a 60 day satisfaction guarantee.

### REGISTRATION

We need to reach you in the event of a recall or safety alert! If you are a U.S. or UK resident, please complete the enclosed, self-addressed postage-paid card. All international and U.S. residents can also register online at [www.oxotot.com](http://www.oxotot.com).

## **CONTACT US**

If parts are missing, damaged or broken, for replacement parts or to report a problem, contact:

### **OXO U.S. Customer Service**

Hours: Monday – Friday, 8:00am – 5:00pm (ET)

Phone: (800) 545-4411

Fax: (717) 709-5350

Mail: OXO International, Inc. at 1331 S Seventh St. Ste 202, Chambersberg, PA 17201-9912

Email: [info@oxo.com](mailto:info@oxo.com)

Website: [www.oxo.com](http://www.oxo.com)

### **OXO UK Customer Service**

Hours: Monday – Friday, 9:00am – 5:00pm

Phone: 0114 290 1455

Fax: 0114 242 0406

Mail: OXO Customer Service, Helen of Troy House, 1-4 Jessops Riverside, 800 Brightside Lane, Sheffield. S9 2RX

Email: [info@hot-uk.co.uk](mailto:info@hot-uk.co.uk)

Website: [www.oxo.com](http://www.oxo.com)

### **Outside the U.S. and UK**

Please contact your local distributor or email [info@oxo.com](mailto:info@oxo.com)





[www.oxo.com](http://www.oxo.com)

OXO®, OXO Tot™, Seedling™ and related logos are trademarks of Helen of Troy Limited.  
In the United Kingdom and Ireland, OXO is a registered trade mark of Premier Foods plc and used under licence.  
©2013 OXO. Illustration by Petit Collage.

