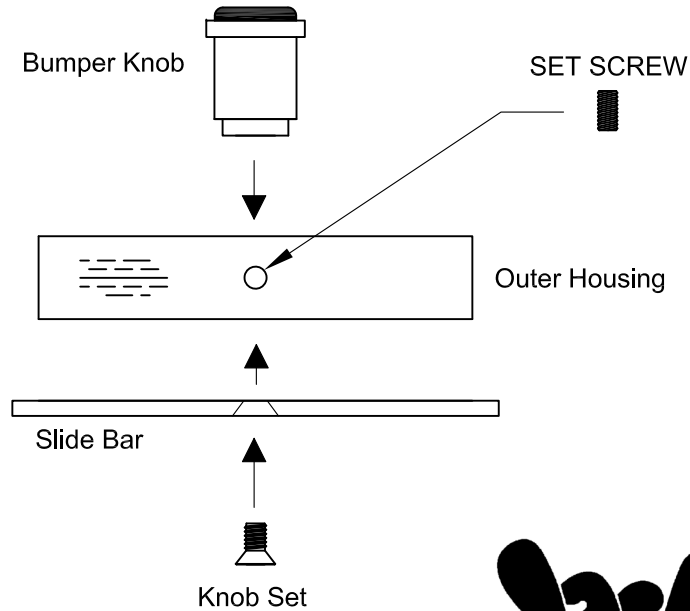
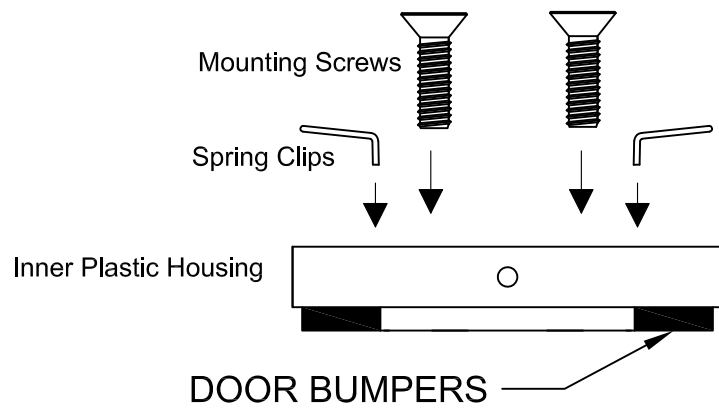
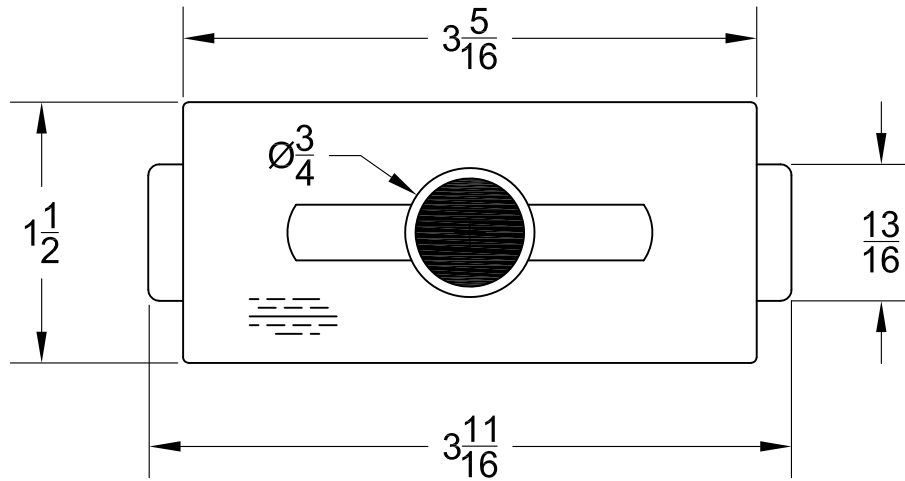
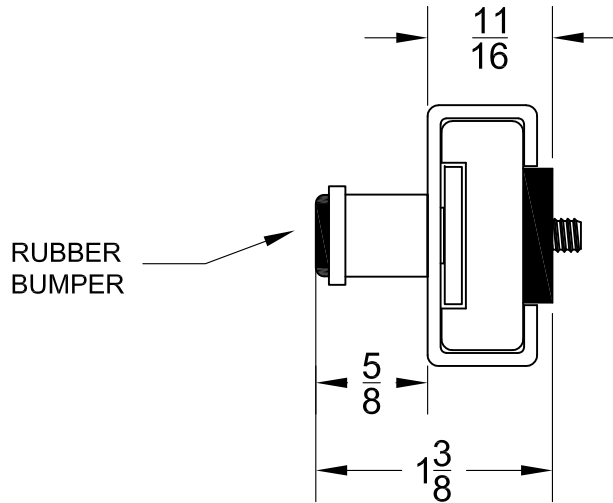


9689

LATCH, SLIDE-SURFACE MOUNTED-ADA
(B-STYLE) CRSS

DIMENSIONAL TOLERANCES UNLESS OTHER WISE SPECIFIED
DECIMALS +/- .005 FRACTIONS +/- .010 ANGLES +/- 1 DEG



≡≡≡ - SATIN FINISH DIRECTION

DIM.	DATE	FROM	TO	APP'D

Jacknob[®] Corp.

MATERIAL:
STAINLESS STEEL

FINISH:
#4 SATIN FINISH