

# IMAGETEAM™ 3870

## Cordless Linear Imager

The IMAGETEAM™ (IT)3870 cordless scanner addresses the needs of many applications. It is designed for tough industrial use, such as on loading docks, where shipping and receiving of materials requires the freedom to move around, and industry standards recommend the use of linear bar codes and PDF417 codes on shipping labels. The cordless scanner is also ideal for manufacturing applications, such as work-in-process, where safety may be an issue. Eliminating the cables prevents the cord from getting entangled in machinery and equipment, thus avoiding the chance of an accident. Other applications include interfacing to RF LAN based terminals mounted on forklift trucks, tool crib management, asset tracking, inventory control, and point-of-sale terminals.

The IT3870 joins a family of rugged and reliable cordless products, including the SCANTEAM® 2070 host interface base unit. The IT3870PDF is designed for aggressive reading performance on PDF417 and MicroPDF417. The IT3870HD reads high density bar codes with dimensions as small as 3 mil., while the IT3870LX reads 15 mil. codes out to 18 inches. All these configurations feature an IP 54 sealed-enclosure rating and the industry's best drop specification for cordless scanners.

The IT3870 features linear imaging technology in a cordless bar code reader. A bright, sharp aiming line and high-resolution imaging combine to deliver bar code reading performance that was previously only possible using a laser scanner.

The IT3870 offers many advantages over a laser scanner. Its aiming line is brighter than a standard laser. It scans and decodes 270 times per second, about seven times faster than a laser. It can read all common linear bar codes, plus PDF417 and MicroPDF417. Thanks to onboard Flash memory, the reader can be easily upgraded when new features and new symbologies become available.



### Features & Benefits

#### **Multiple Scanner Support**

*Each base unit supports up to nine scanners simultaneously. This increases productivity and flexibility without the added costs of additional bases and terminals.*

#### **Application Work Groups**

*Supports up to nine application work groups on a single base. This extremely powerful feature increases the number of jobs supported by a terminal, and allows you to easily adjust to changing workloads.*

#### **Broad Range Coverage**

*Scanner coverage of 31,400 square feet (2,919 square meters) increases mobility and productivity by allowing the scanner to be taken to the job, rather than taking the job to the scanner.*

#### **Eliminates Cables**

*Improves safety conditions by avoiding accidents and injury as a result of cables becoming entangled in equipment and machinery. Eliminates cable replacement costs.*

#### **Unique Charge Pack Design**

*Removable charge pack that is recharged simply by plugging into a wall outlet, then operates through the entire work day.*

#### **Rugged Design**

*Water and dust resistant to IP 54 rating.*

#### **State-of-the-Art Radio Technology**

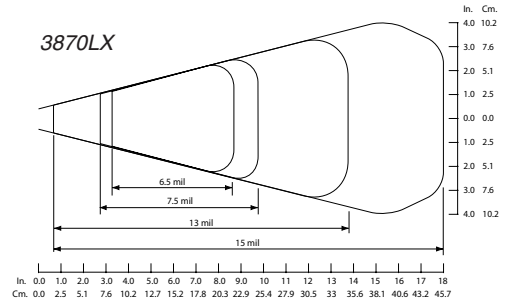
*Two-way 2.4 GHz frequency hopping spread spectrum radio with forward error correction is robust against interference. Makes use of the license-free ISM band. Robust system delivers reliable and snappy, error-free communication.*

Typical reading zones on good quality bar codes measured in inches

## Optical Performance

<b>Illumination:</b>	630 nm Visible Red LED
<b>Receiving Device:</b>	3648 element linear imager
<b>Skew Angle:</b>	±30°
<b>Pitch Angle:</b>	±15°
<b>Horizontal Velocity:</b>	3 in. (7.6 cm) per second
<b>Min. Reflective Difference:</b>	30%
<b>Scan Rate:</b>	270 scans per second

3870LX



## Mechanical/Electrical

### Dimensions

<b>Weight:</b>	16 oz. (448 g)
<b>Height:</b>	8.5 in. (21.6 cm)

### Power Requirements

<b>Input Voltage:</b>	4 to 14 VDC
<b>Current Draw</b>	
<b>Operating:</b>	425 mA (typical) while scanning
<b>Standby:</b>	30 mA

### Environmental

3870 Scanner	2070 Base
<b>Sealing:</b>	IP 54 (Water and Dust Resistant)
<b>Temperature</b>	
<b>Operating:</b>	32° to 122°F (0° to 50°C)
<b>Storage:</b>	-22° to 140°F (-30° to 60°C)
<b>Humidity:</b>	0 to 95%, non condensing
<b>Mechanical Shock:</b>	Functional after 26 drops from 6 ft. (1.8 m)
<b>Ambient Illumination:</b>	0-100,000 lux
<b>ESD Protection:</b>	Functional after 15 kV discharge

**Ambient Illumination:** 0-100,000 lux

**ESD Protection:** Functional after 15 kV discharge

### Radio

<b>Frequency:</b>	2.4 to 2.4835 GHz (ISM Band) Frequency-Hopping Spread Spectrum
<b>Range:</b>	100 ft. (30 m) typical
<b>Data Rates:</b>	1 Mbps

### Charge Pack

<b>Input Voltage:</b>	120 V/240 V, 50 Hz/60 Hz
<b>Capacity:</b>	1200 mAh
<b>Number of Scans:</b>	18,000
<b>Expected Hours of Operation:</b>	25 hours @ 1 scan every 5 seconds
<b>Charge Time at 120 Vac:</b>	6 hours for full charge from full discharge

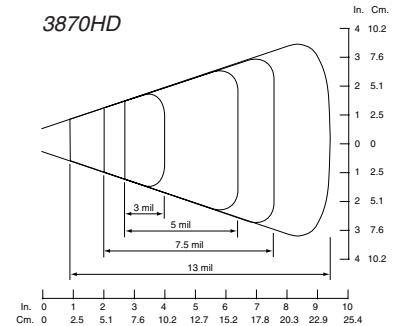
### Symbologies

<b>Symbologies Supported:</b>	Codabar, Code 39, Code 128, ISBT 128, UPC/UPC-E, EAN/JAN, Interleaved 2 of 5, Code 2 of 5, Matrix 2 of 5, Code 93, Code 11, ISBN, Telepen, and Reduced Space Symbology (RSS). IT3870PDF: PDF417, MicroPDF417, and EAN•UCC Composite Symbology.
-------------------------------	---

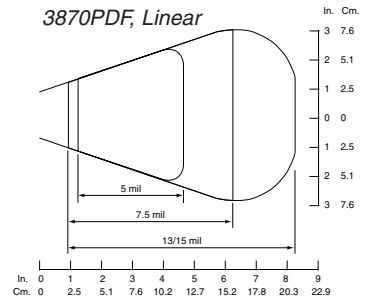
### Warranty

Three year factory warranty

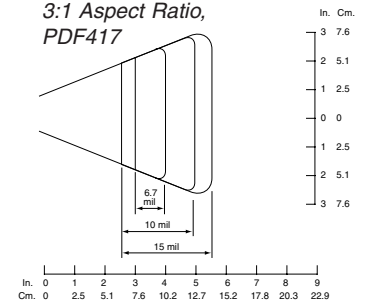
3870HD



3870PDF, Linear



3870PDF, 3:1 Aspect Ratio, PDF417



## Agency Conformance

Consult your Hand Held Products' Customer Account Representative for specific country agency

Electromagnetic Emissions/Immunity	Safety	RF Approvals
<b>USA:</b> FCC Part 15, Class B <b>Canada:</b> SOR 88/475 Class B <b>Europe:</b> EN 55022 (CISPR22) Class B, EN 61000-3-2 & -3, ETS 300 826 <b>Other:</b> EMC 89/336/EEC, EN 50082-1:1992, IEC 801-2:1991, IEC 801-3:1984, IEC 801-4:1988	<b>USA:</b> UL listed, C22.2 No 950/UL 1950 <b>Canada:</b> cUL Listed <b>Europe:</b> TUV Rheinland GS Licensed EN 60950 (IEC950) <b>Australia:</b> AS/NZS 3548	<b>USA:</b> FCC Part 15.249 <b>Canada:</b> RSS 210 <b>Europe:</b> ETS 300 328

## Worldwide Offices

### Offices Serving North America

Skaneateles Falls, NY  
 Tel: (315) 685-8945  
 or, in the U.S.: (800) 782-4263  
 Fax: (315) 685-3172  
 Charlotte, NC  
 Tel: (704) 537-1444  
 Fax: (704) 532-4191

### Offices Serving Europe, Middle East, and Africa

Europe  
 Tel: Int +31 (0) 40 24 24 486  
 Fax: Int +31 (0) 40 24 25 672  
 United Kingdom  
 Tel: Int +44 (0) 1 925 240055  
 Fax: Int +44 (0) 1 925 631280  
 France  
 Tel: Int +33 (0) 1 461 04111  
 Fax: Int +33 (0) 1 461 04120

### Germany

Tel: Int +49 (0) 7 477 151377  
 Fax: Int +49 (0) 7 477 151378

### Offices Serving Asia and the Pacific Rim

Hong Kong  
 Tel: Int +852 2511 3050/2511 3132  
 Fax: Int +852 2511 3557

### Japan

Tel: Int +813 52127392  
 Fax: Int +813 32617372

### Offices Serving Latin America

Naples, Florida  
 Tel: (941) 263-7600  
 Fax: (941) 263-9689