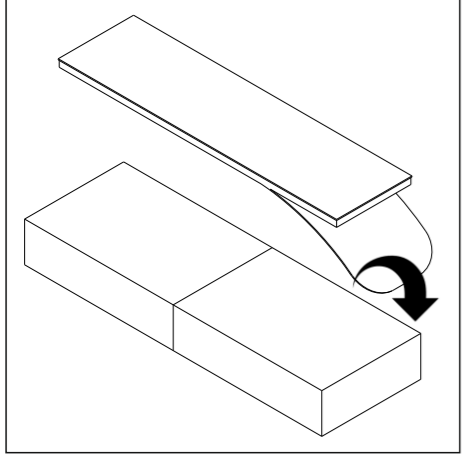
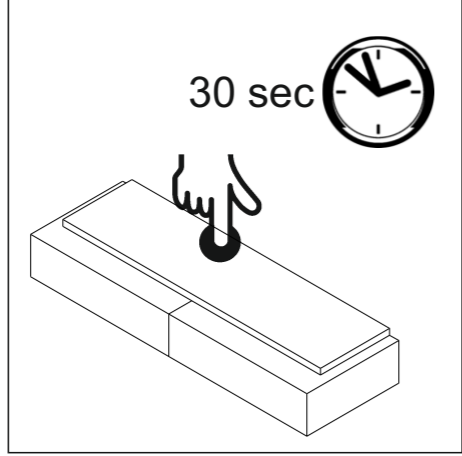


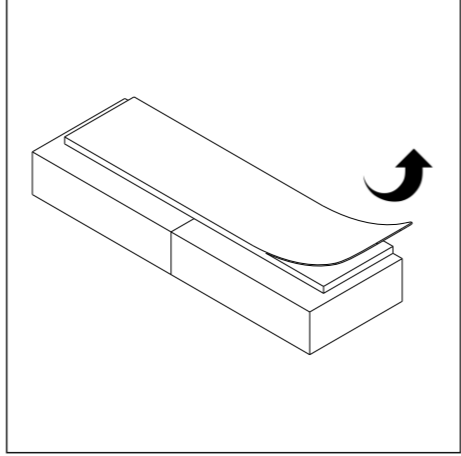
1



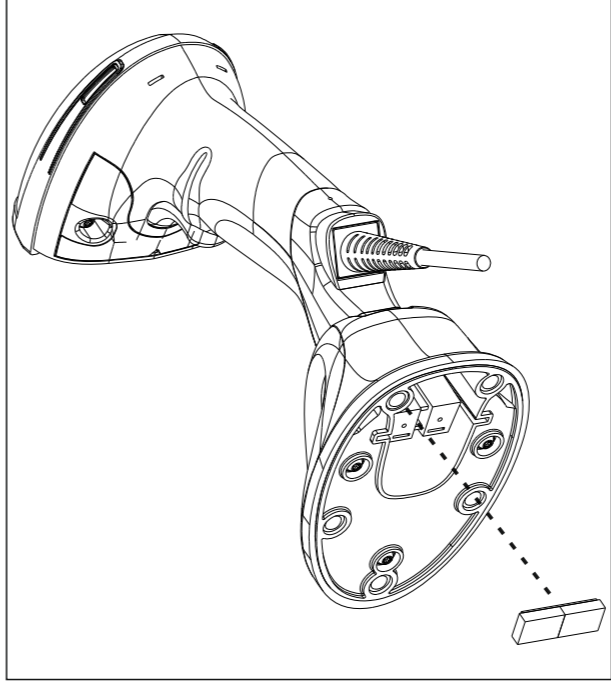
2



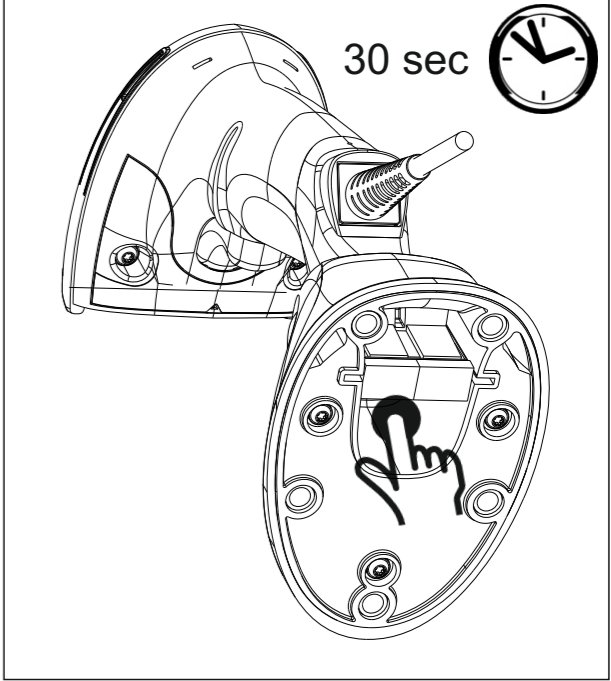
3



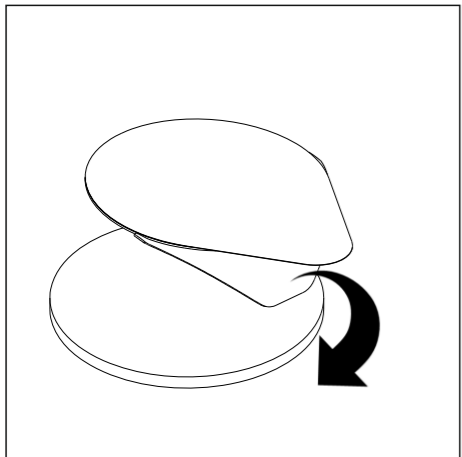
4



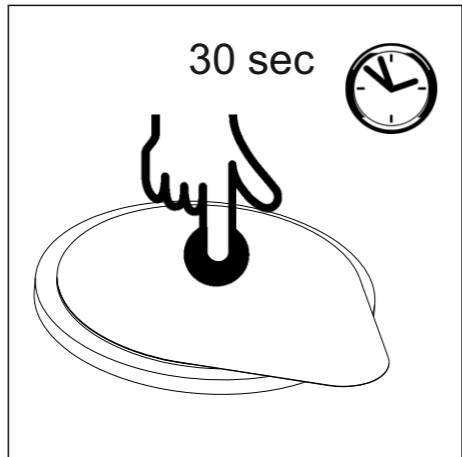
5



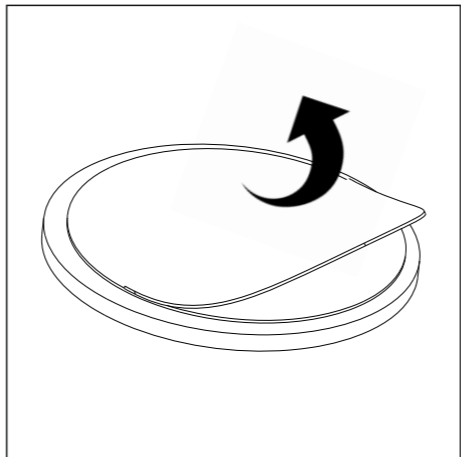
6



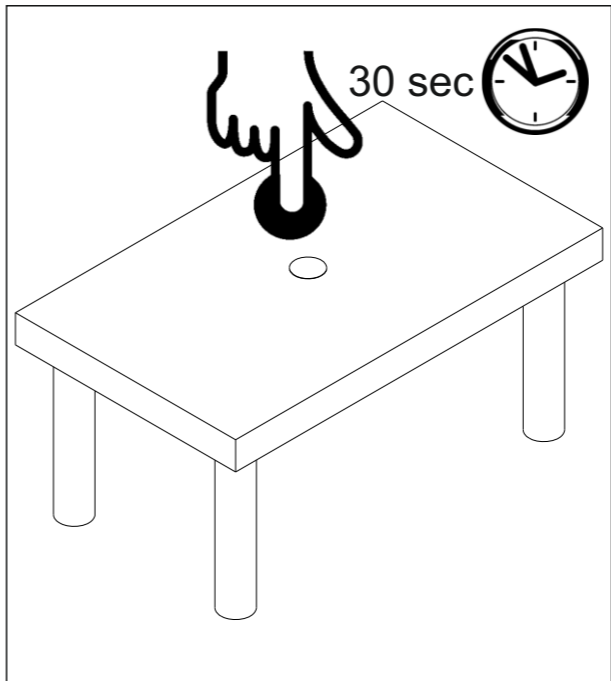
7



8



9



TO ACHIEVE BEST BOND STRENGTH WAIT AT LEAST 24 HRS BEFORE STRESSING ADHESIVES