



VoyagerBT™ is a wireless, laser bar code scanner designed for low to medium throughput Point of Sale (POS) or light warehouse applications where the convenience of a wireless hand held scanner is needed.

Sunrise 2005 Compliant

MS9535 VoyagerBT™

Features

- Cable-free scanning using Bluetooth® v1.1 technology
- CodeGate® data transmission technology ideal for menu scanning
- Up to 12,000 scans per charge
- Supports master and client modes
- Recharging base station with in base scanning
- Wall or countertop mounting
- 10 meter (33') working range
- Decodes RSS-14, RSS Limited and RSS Expanded bar codes
- Two way communication - user receives audible and visual confirmation of each scan

Metrologic's VoyagerBT offers convenience and the freedom of mobility by incorporating Bluetooth wireless technology. This latest member of the Voyager Series continues the trend of combining patented technology, high performance, and a futuristic design.

VoyagerBT provides a lightweight, comfortable, and easy to use scanning solution. The patented CodeGate feature remains at the core of the scanner's functionality. The scanner wakes automatically when the integrated IR sensor is activated. To scan a bar code, simply align the laser scan line and press the CodeGate button. The data is transmitted wirelessly to the host. Operators will

find the brightly-lit laser easy to see and to line up on a desired bar code making VoyagerBT perfect for menu scanning applications.

Scanning large or heavy products can be done quickly and easily. VoyagerBT offers check-out personnel the ability to scan bulky items without the need for unnecessary heavy lifting.

VoyagerBT includes the ability to decode Reduced Space Symbology (RSS) bar codes. VoyagerBT can be used in applications including supermarkets, hypermarkets, warehouse shopping clubs, retailers, light warehouse and manufacturing.

Bluetooth is a trademark owned by Bluetooth SIG, Inc. and is used by Metrologic under license.



MS9535 VoyagerBT™

OPERATIONAL

Light Source	Visible Laser Diode 650 nm ± 10 nm
Laser Power	0.96 mW (peak)
Depth of Scan Field	0 mm - 203 mm (0" - 8") for 0.33 mm (13 mil) bar codes
Width of Scan Field	64 mm (2.5") @ face; 249 mm (9.8") @ 203 mm (8.0")
Scan Speed / Pattern	72 ± 2 scan lines per second / Single scan line
Minimum Bar Width	0.127 mm (5.0 mil)
Decode Capability	Autodiscriminates all standard 1-D and RSS-14 bar codes
System Interfaces	PC Keyboard Wedge, RS232, Light Pen Emulation, Stand Alone Keyboard, USB (low speed and full speed), IBM
Profile Support	Serial Port Profile (SPP)
Bluetooth Version	v1.1 compliant
Print Contrast	35% minimum reflectance difference
Number Characters Read	Up to 80 data characters
Roll, Pitch, Yaw	42°, 68°, 52°
Beeper Operation	7 tones or no beep
Indicators (LED)	Blue = laser on, ready to scan; Yellow (flashing) = in base/battery charging; Yellow (solid) = in base/battery fully charged; White = good read

MECHANICAL

Height	Scanner: 198 mm (7.8"); Base: 204 mm (8.0")
Depth	Scanner: 40 mm (1.6"); Base: 61 mm (2.4")
Width	Scanner: Handle: 45 mm (1.8"); Head: 78 mm (3.1"); Base: 107 mm (4.2")
Weight	Scanner (with battery): 199 g (7.02 oz); Base: 225 g (7.94 oz)
Termination / Cable	Base Station: 10 pin modular RJ45 / 2.1 m (7') straight

ELECTRICAL


Input Voltage	Scanner: 5.2 VDC ± 0.25 V; base station: 5.2 VDC ± 0.25 V
Power - Operating	Scanner: 1.2 W; base station: 0.6 W
Power - Standby	Scanner: 150 mW
Current - Charging	2 A
Current - Operating	Scanner: 230 mA (max) @ 5 VDC; base station: 65 mA (max) @ 5 VDC
Current - Standby	Scanner: 30 mA typical @ 5 VDC
DC Transformers	Scanner: none; base station: Class 2; 5.2 VDC @ 2 A
Laser Class	Laser Class 1 In accordance with IEC 60825-1:1993+A1:1997+A2:2001 and EN 60825-1:1994+A11:1996+A2:2001
EMC	FCC, ICES-003 & EN55022 Class B
Battery Capacity / Recharge Time	12,000 scans per charge / recharge time=2.5 hrs
Radio Range / Frequency	10 m (33 ft) / 2.4 - 2.48 GHz (frequency hopping)

Operating Temperature	0°C to 40°C (32°F to 104°F)
Storage Temperature	-20°C to 50°C (-4°F to 122°F)
Humidity	5% to 95% relative humidity, non-condensing
Light Levels	Up to 4842 Lux (450 footcandles)
Shock	Designed to withstand 1.5 m (5') drops
Contaminants	Sealed to resist airborne particulate contaminants

VoyagerBT is available in the following colors



Pearl White



Light Grey



Black

Sample only, actual colors may vary



USA
Tel. 1.800.ID.METRO
info@metrologic.com

Asia
Tel. 65.6842.7155
info@sg.metrologic.com

AOA (only)
Tel. 1.617.806.1400
info@aoa.metrologic.com

China (only)
Tel. 86.512.62572511
info@cn.metrologic.com

South America
Tel. 5511.5182.7273
info@sa.metrologic.com

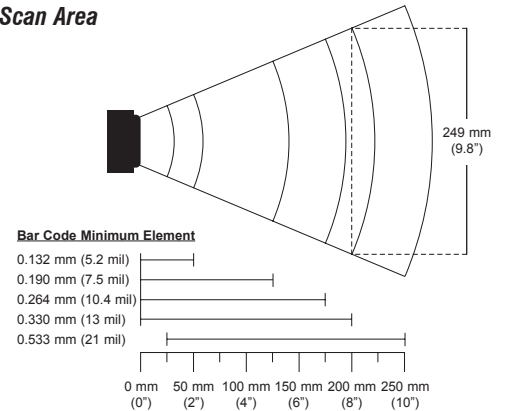
Japan (only)
Tel. 81.03.3839.8511
info@jp.metrologic.com

Brazil (only)
Tel. 5511.5182.8226
info@br.metrologic.com

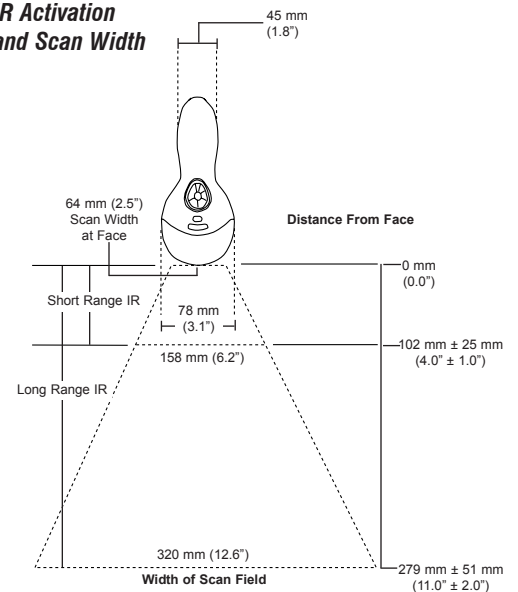
Europe
Tel. 49.89.89019.0
info@europe.metrologic.com

Metrologic Instruments, Inc. | 90 Coles Road | Blackwood, NJ 08012-4683
Telephone 856-228-8100 or 1-800-ID-METRO | Fax 856-228-6673

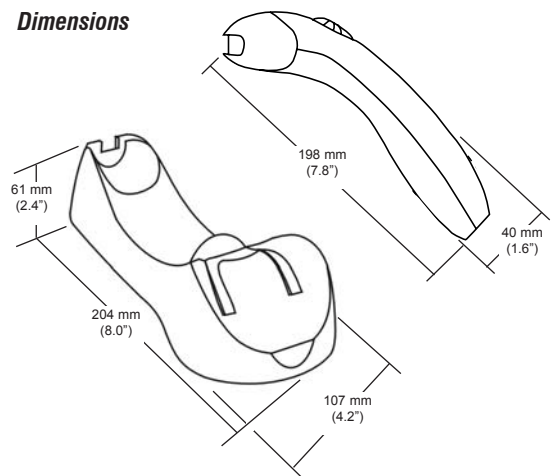
Scan Area



IR Activation and Scan Width



Dimensions



Specifications subject to change without notice.
Printed U.S.A., Copyright March 2004
Metrologic, All rights reserved.



DS9535

ISO 9001:2000