

5.3-Gallon EZ STOR® Container with Hinged Cover

Multiple Uses

Dry Products

Product Codes

Container: **E538**

Description: 5.3-gallon rectangular can

Cover: **ESDH**

Description: Dry seal, tamper-evident, hinged EZ open & reseal cover

Features

Built in hand grips

Gauge: 80 mil.

Nominal capacity: 5.3 USG / 20.1 L

Stack performance: 250 lbs.*

Tare weights: Body: 1.90 lbs. / .86 kgs.

Cover: .42 lbs. / .19 kgs.

Note: * Ratings will be reduced with uneven load distribution.

Specifications with cover

Dimensions: 11-15/16"L X 9-7/8"W 14-11/16"H*

Maximum capacity: 5.6 USG / 21.2 L

Tare weight: 2.32 lbs. / 1.05 kgs.**

Notes: *Based on HDPE body

**With handle, add .10 lbs.

Colors

Standard: White, Black, Natural and Clear

Custom: Available at manufacturer's discretion

Decorating Options

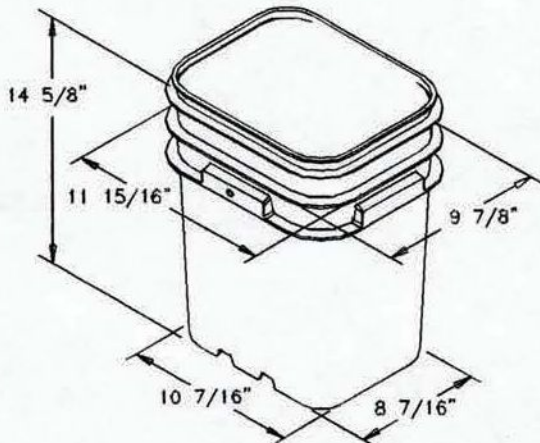
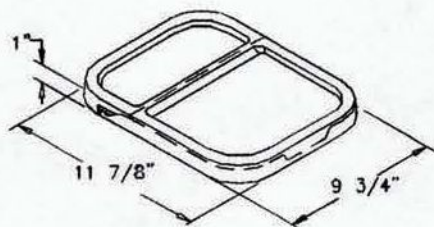
Four or six* color offset printing

Print area: Long side: 7"W X 7-1/2"H

Short side: 5-1/2"W X 7-1/2"H

Sleeve or pressure sensitive labeling

Note: * Where available



Shipping Data

Qty. per pallet:

Bodies

144

Covers

576

Filled Containers

48 (16 per layer / 3 layer high)

Gross Weight (lbs./kgs)*:

274/124

242/109

Pallet height: 48.75"

Den. (lbs./C.F./kgs./m3):

4.8/77.4

9.5/151.4

Length (in./cm.):

49.0/124.5

49.0/124.5

Width (in./cm.):

39.5/100.3

39.0/99.1

Height (in./cm.):

50.5/128.3

23.0/58.4

Full truckload quantity of 6,336 bodies and covers**

Notes: * Weight does not include pallet / packaging

** Truckload quantity based on 48' trailer

Materials

FDA approved materials

Resin: Body: High Density Polyethylene (HDPE)
or clear Polypropylene

Cover: High Density Polyethylene (HDPE)

MSDS Sheets available upon request

Optional Carrying Handle

Plastic HDPE

Metal nine-gauge gal. steel

F.O.B. -