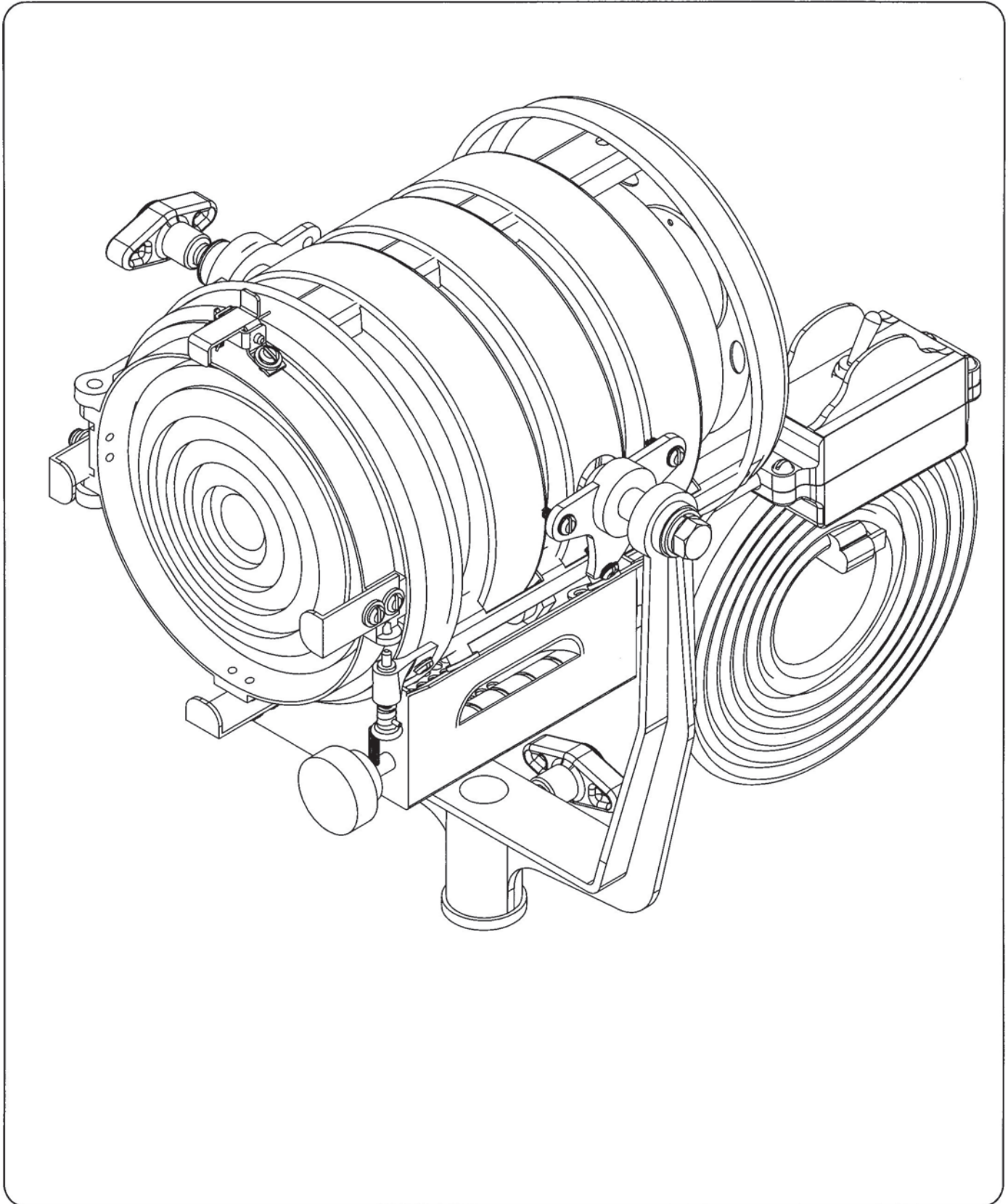




PARTS FOR TYPE 4821 TWEENIE SOLARSPOT®



79

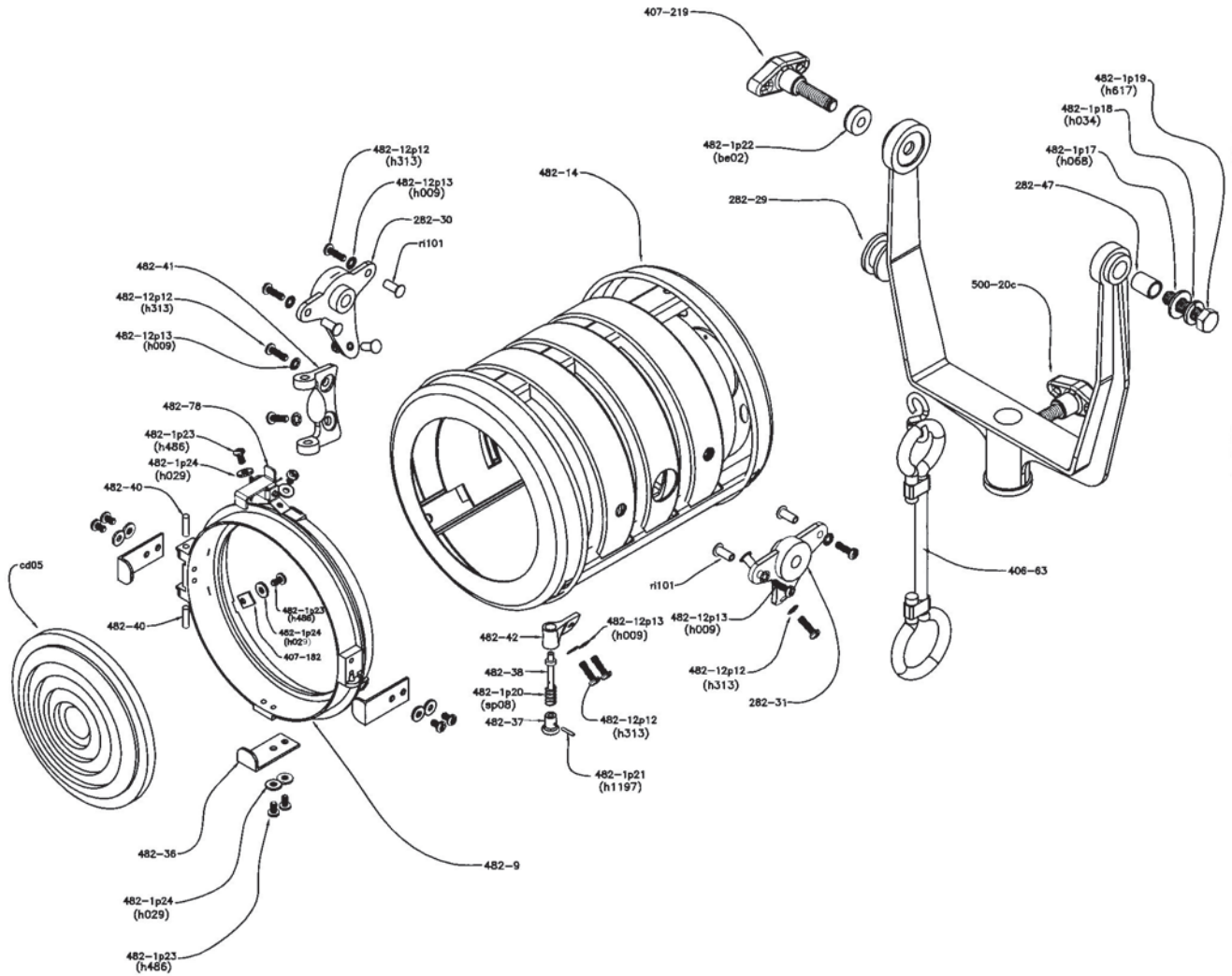


Mole-Richardson Co.

Tel. (323) 851-0111 Fax. (323) 851-5593 E-mail: info@mole.com Web: www.mole.com 937 N. Sycamore Ave., Hollywood, California 90038-2384 U.S.A.
©Mole-Richardson Co., Hollywood, California U.S.A.



PARTS FOR TYPE 4821 TWEENIE SOLARSPOT®



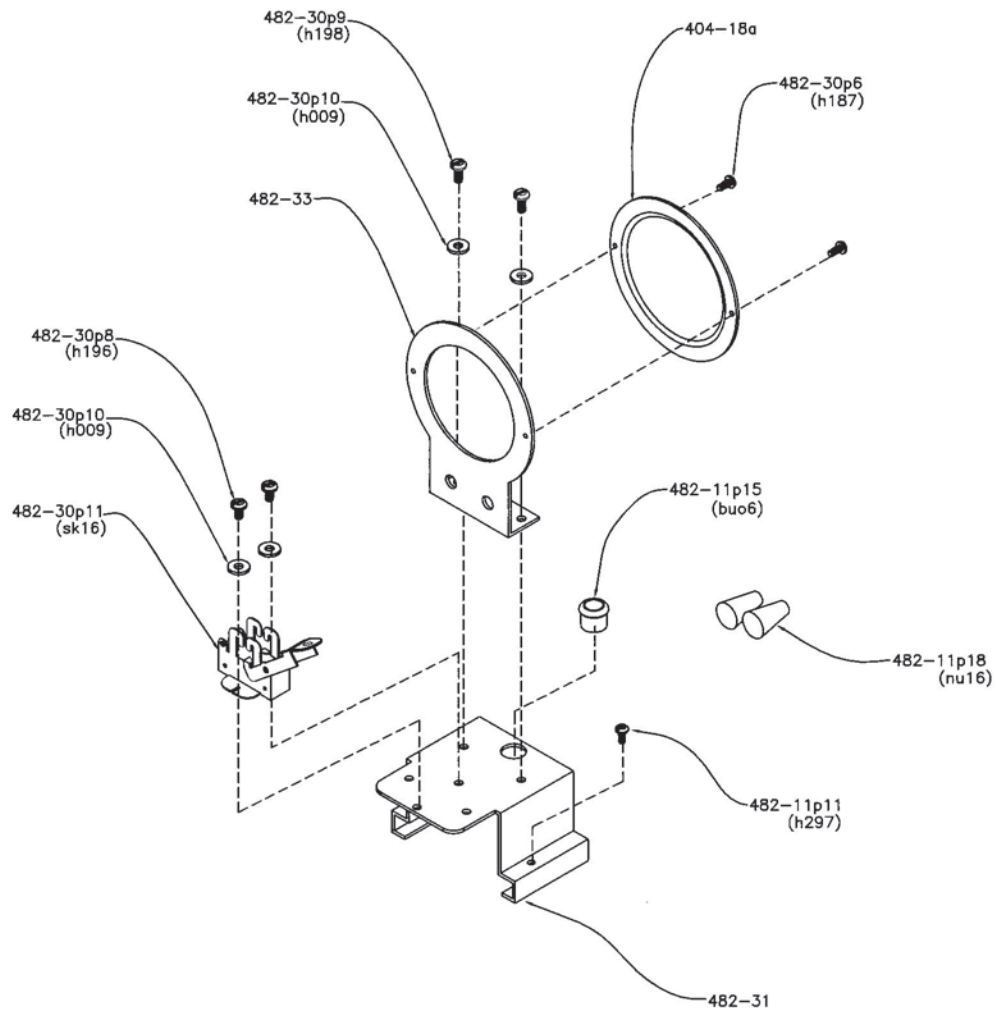
80



Mole-Richardson Co.



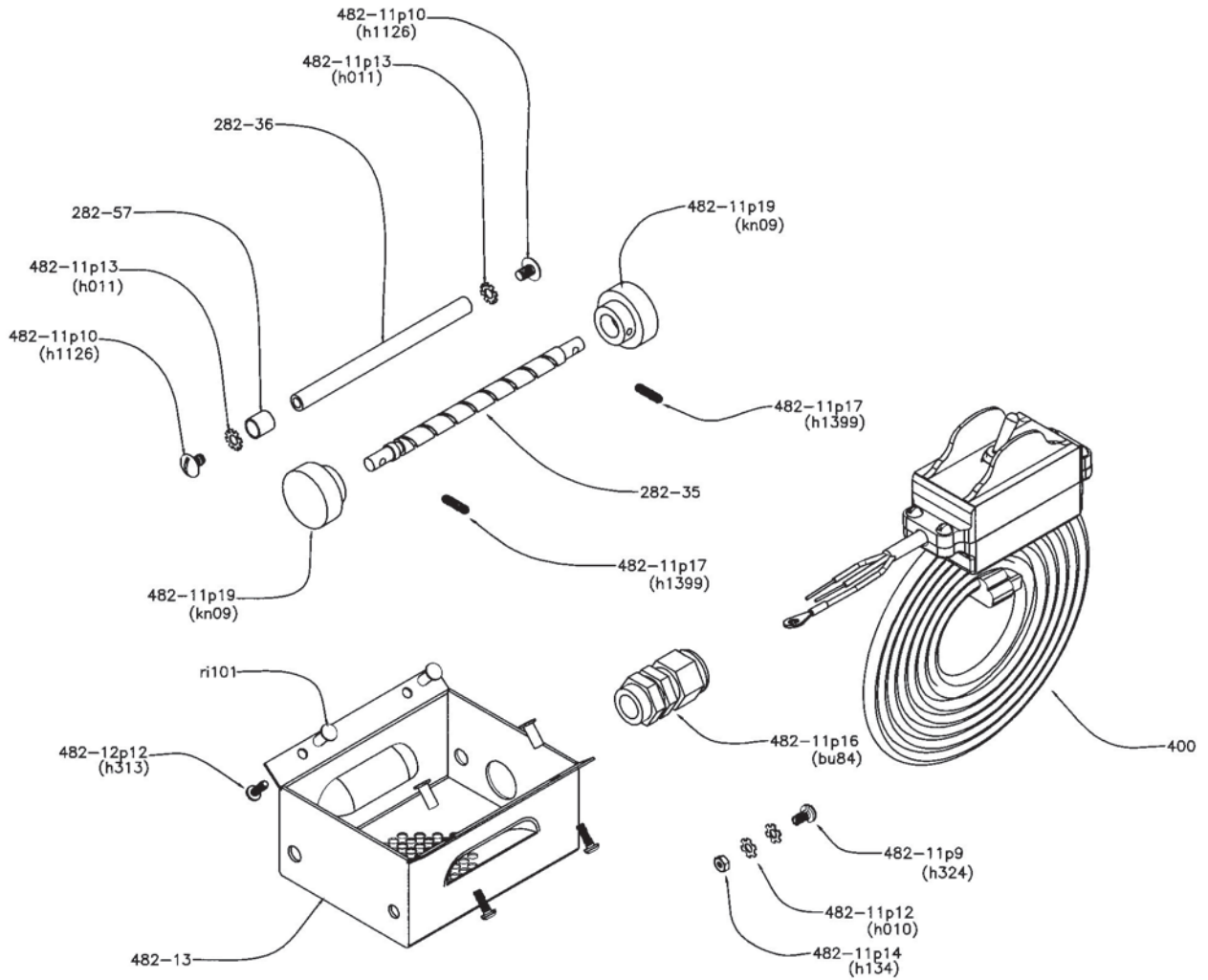
PARTS FOR TYPE 4821 TWEENIE SOLARSPOT®



Mole-Richardson Co.



PARTS FOR TYPE 4821 TWEENIE SOLARSPOT®



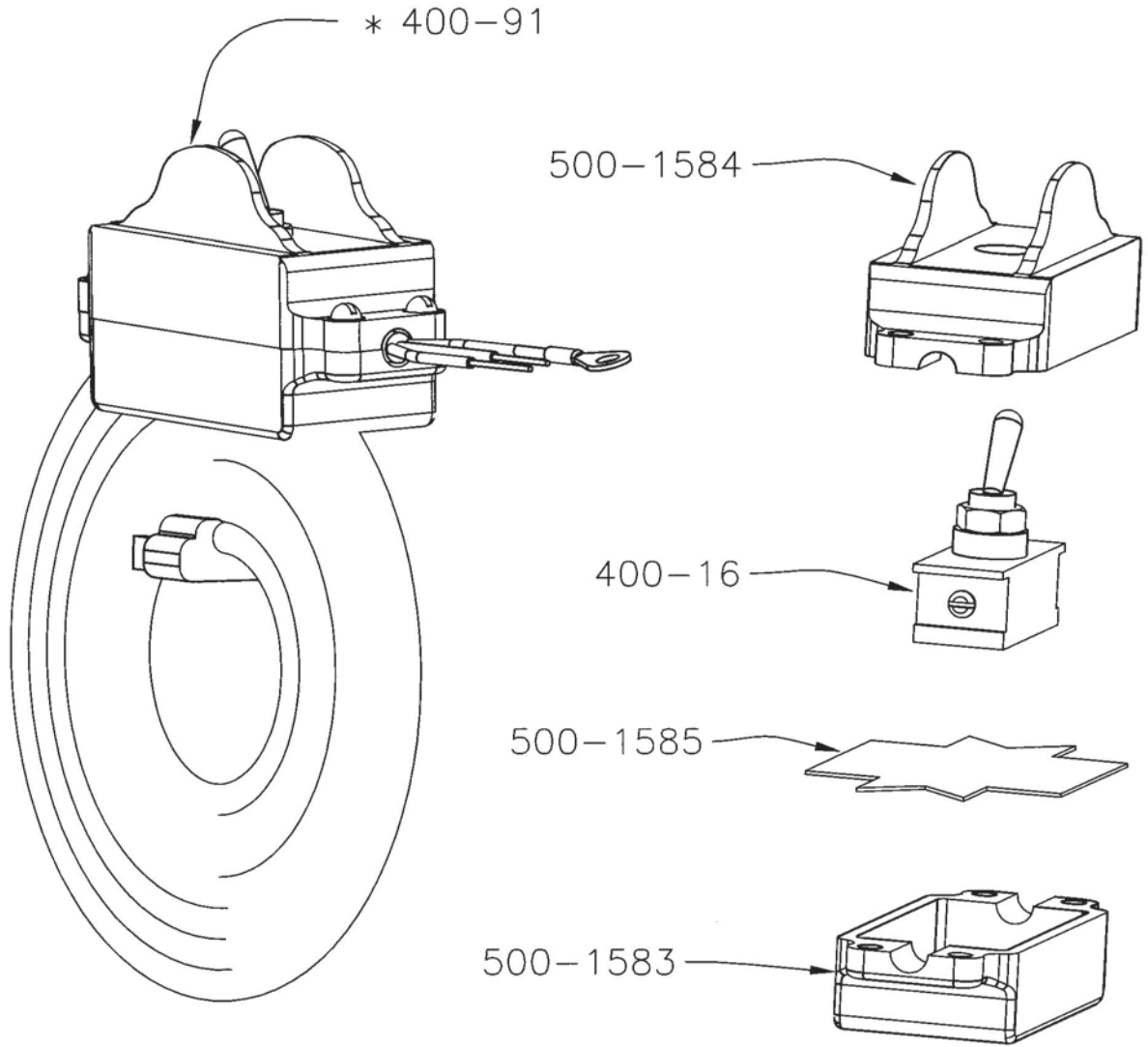
82



Mole-Richardson Co.



PARTS FOR TYPE 4821 TWEENIE SOLARSPOT®



83

*Complete switch & cable assembly

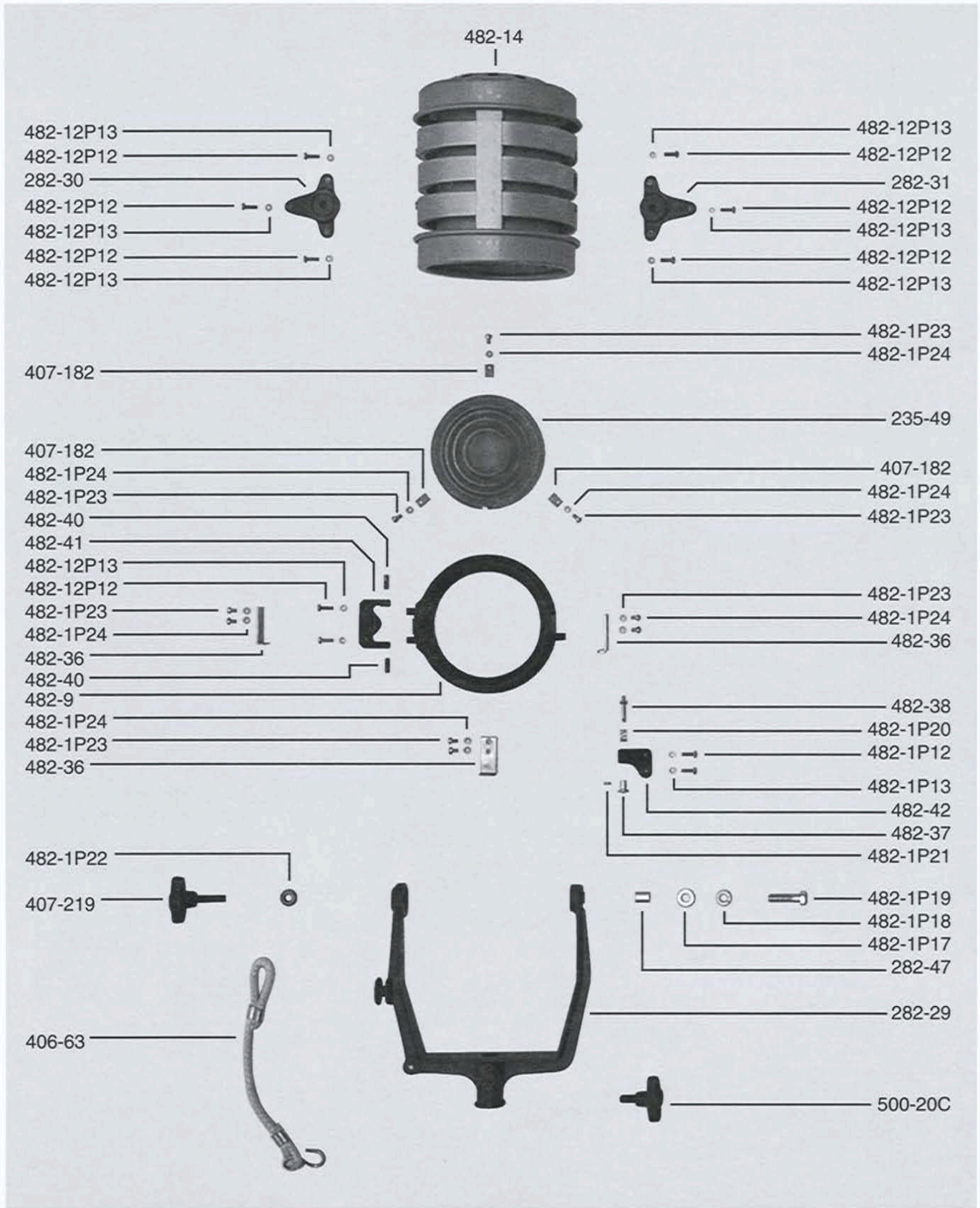


Mole-Richardson Co.



PARTS FOR TYPE 4821 650 WATT MOLEQUARTZ® TWEENIE II SOLARSPOT®

4821A894



101



Mole-Richardson Co.

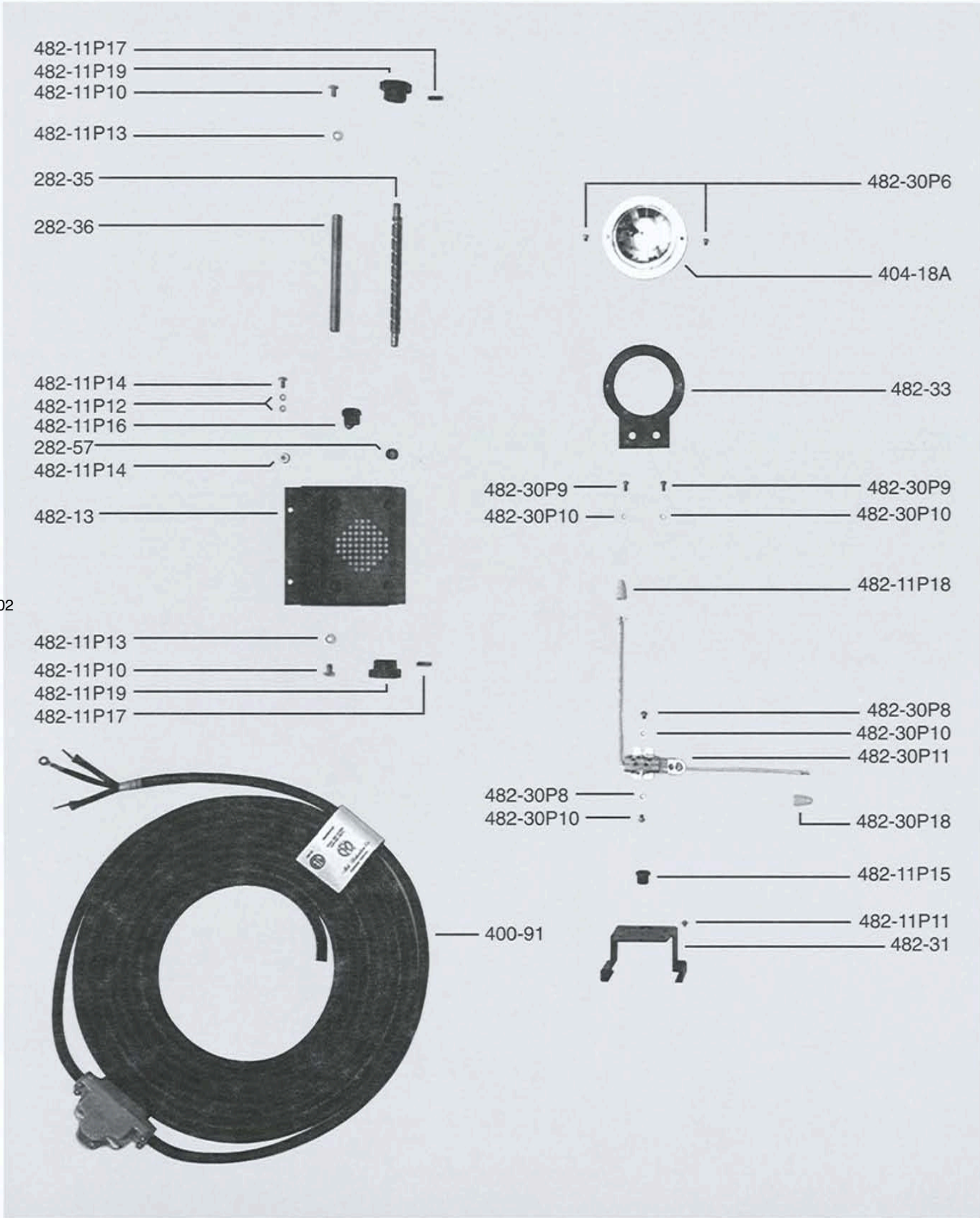




PARTS FOR TYPE 4821 650 WATT MOLEQUARTZ® TWEENIE II SOLARSPOT®

4821B894

102



Mole-Richardson Co.

