

Universal Folding Screen Lite

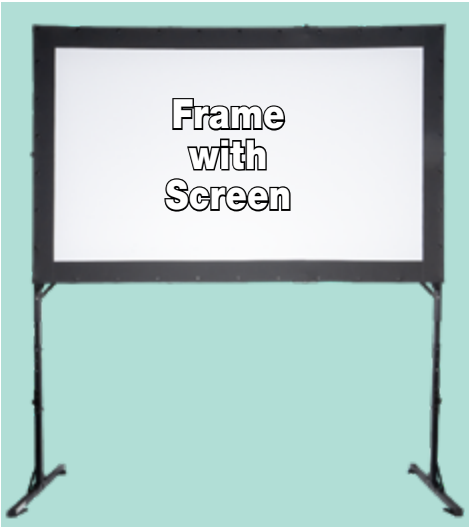
Portable folding projection screen

DATA SHEET

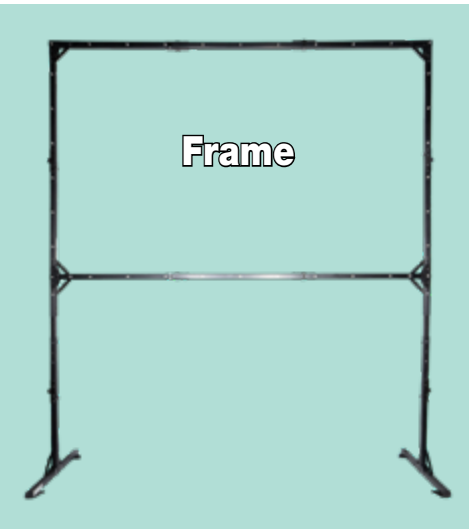
TECHNICAL INFO



Screen
with
Skirt



Frame
with
Screen



Frame

Features

- Fast setup: one-person assembly in under 5 minutes.
- Compact storage: folds to 48" and weighs less than tripod screens.
- One-piece, durable frame: anodized black aluminum tubing.
- Integrated folding legs; no tools required.
- Sliding feet for easy movement.
- Snap-on surfaces; compatible with UST projectors.
- Height adjustment for short ceilings.

Options

- Ships as a kit in soft or hard case (*hard case recommended for repeated shipping*).
- Viewing surfaces: fold-up (*packs with frame*) or roll-up (*stores separately in protective case*).
- Surface compatibility: Draper front and rear projection materials.

Specifications

QUANTITY: _____ **SIZE:** _____ h. x _____ w.

UFS Lite consists of Extruded Aluminum frame with attached legs, black anodized. Also includes viewing surface, storage pouch, skirt, and carry case.

Viewing surface attaches to frame with hardened snaps, 4" black borders on all 4 sides, skirt is made of 13oz IFR Velour with 50% fullness and snaps on to bottom of surface covering the legs of the UFS Lite Frame.

UFS lite frame has gliding feet for easy adjustment on carpet or hard surfaces.

The frame also has 4" of height adjustment to stay under low ceilings or expand up for easier audience viewing.

Patent pending. Patent information available at www.draperinc.com/legal/patents.

Specifications subject to change without notice.

Downloadable 3-part specifications: available at www.draperinc.com

Please note: See page 2 for photo details of modular frame pieces.

Standard Sizes (16:9)

Diagonal	Image Area (H x W)	Overall Size (H x W)
83" (211 cm)	40" x 72" (102 x 183 cm)	48½" x 80" (123 x 203 cm)
104" (518 cm)	54" x 96" (137 x 244 cm)	62" x 104" (157 x 264 cm)
124" (315 cm)	60¾" x 108" (154 x 274 cm)	68¾" x 116" (175 x 295 cm)

Surfaces (Surface-Only Options)

Diagonal	Front XT1000VB (PN)	Rear CH1200V (PN)	Rear CH700V (PN)	Surface Net Wt. (Lbs)
83" (211 cm)	241440	241460	241480	5 (2 kg)
104" (518 cm)	241441	241461	241481	7 (3 kg)
124" (315 cm)	241442	241462	241482	8 (4 kg)

Weights

Diagonal	Case	Net Wt. (lb)
83" (211 cm)	Hard	56 (25 kg)
83" (211 cm)	Soft	51 (23 kg)
104" (518 cm)	Hard	62 (28 kg)
104" (518 cm)	Soft	55 (25 kg)
124" (315 cm)	Hard	65 (29 kg)
124" (315 cm)	Soft	59 (27 kg)

Accessories

Accessory	Part No.
UFS Lite Soft Case	C091.056
UFS Lite Surface Case	C091.057
Roll-up Tube with Leader	C044.243
UFS Lite Surface Pouch	C192.021
Heavy Duty Case	219203
UFS Lite Repair Kit	382157

IFR Black Velour Skirts

Overall Size (H x W)	Part No.	Net Wt. (Lbs)
42" x 80" (107 x 203 cm)	242300	3 Lbs. (1.4 kg)
38" x 104" (97 x 264 cm)	242301	4 Lbs. (1.8 kg)
43" x 116" (109 x 295 cm)	242302	5 Lbs. (2.3 kg)

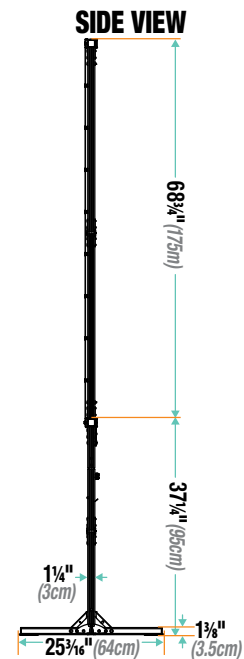
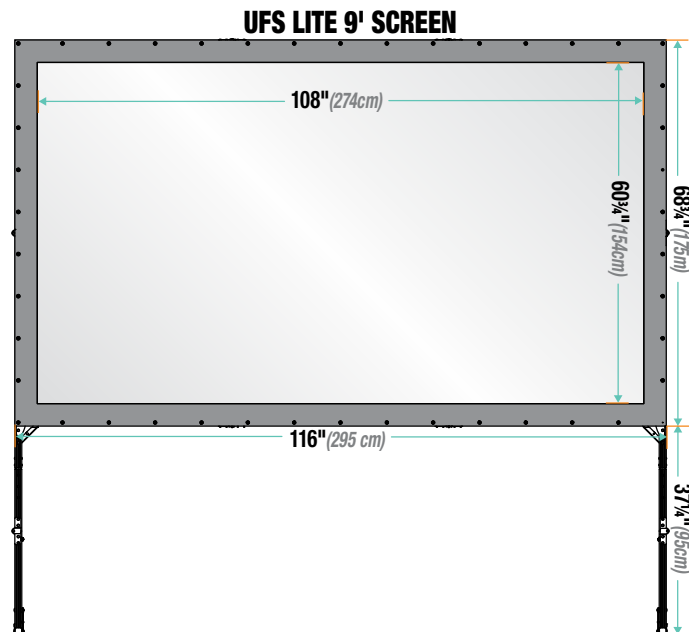
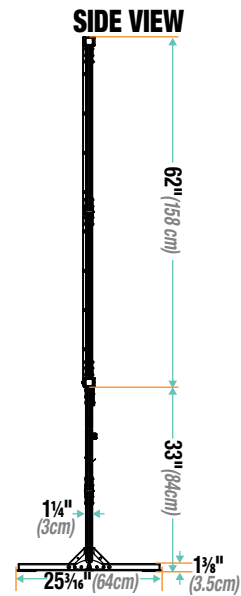
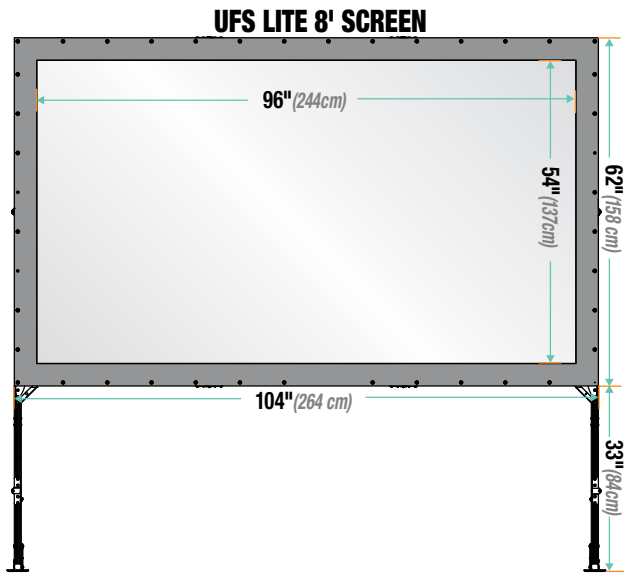
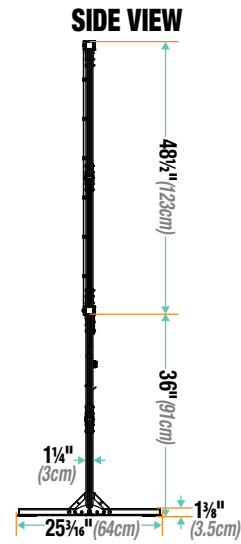
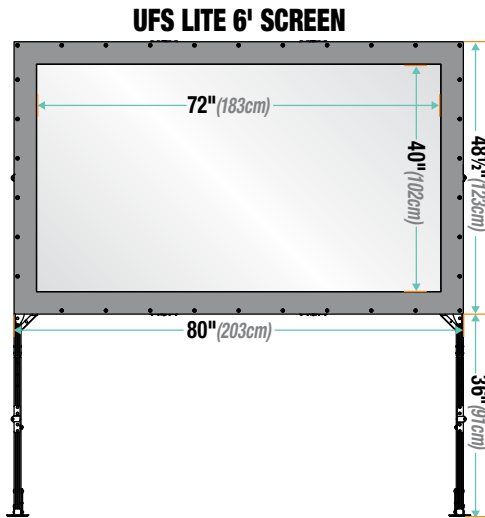


Draper, Inc. | 411 S. Pearl St. Spiceland, IN 47385
draperinc.com | 765.987.7999 | 800.238.7999

©2020 All Rights Reserved | FORM: UFS_Lite_Data_Sheet26

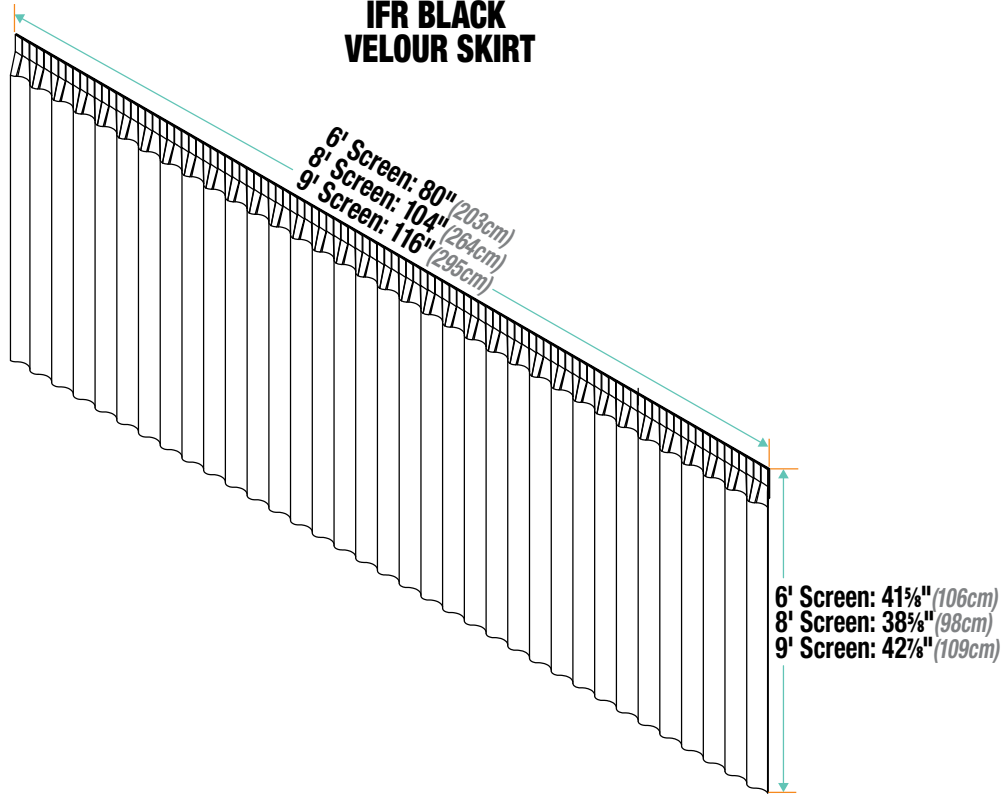


Dimensions

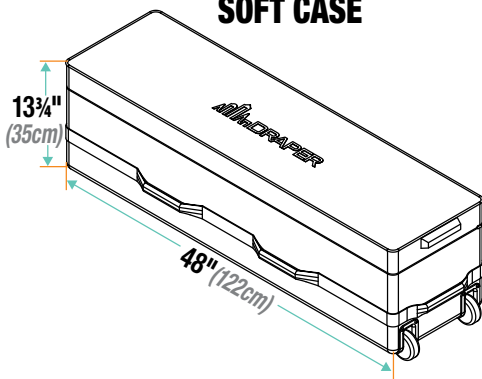


Optional Accessories

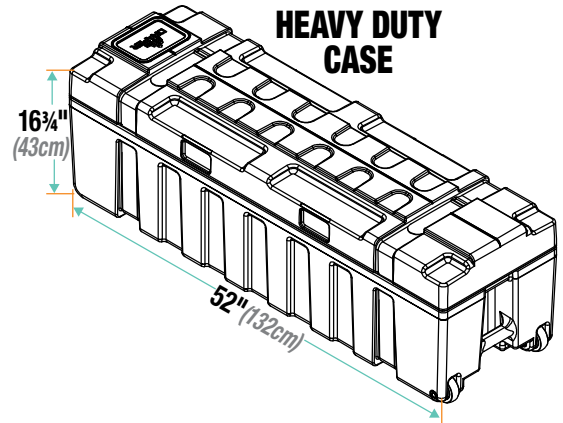
IFR BLACK VELOUR SKIRT



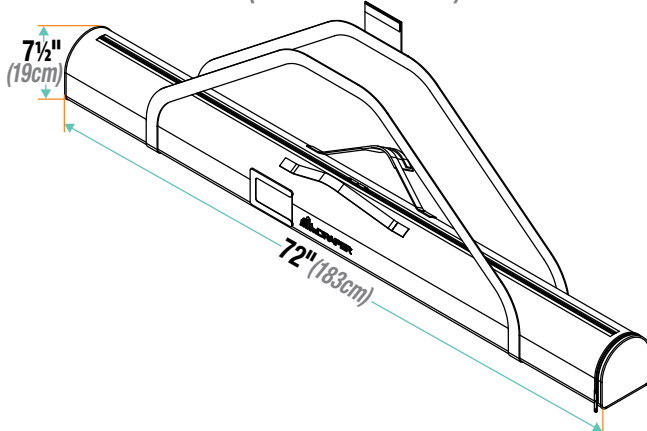
SOFT CASE



HEAVY DUTY CASE



SURFACE CASE (FOR ROLL-UP TUBE)



SURFACE POUCH

