

## PRODUCT WARRANTY



### LIMITED LIFETIME WORKMANSHIP AND PARTS WARRANTY ON HARDWARE

The Zinger Winger Inc. warrants that all hardware components shall remain in good operational and structural condition for the life of the product.

Vinyl pouch, electrical plugs, wires and servo/solenoid motors are warranted for a period of one (1) year from time of purchase.

Springs and latex rubbers are warranted for a period of 90 days. By their very nature you can expect to get 6 - 12 months of life from the latex rubbers. Care and attention will extend the life span of the rubbers considerably.

### GENERAL CONDITIONS

Any defect, malfunction, or failure to perform, which has occurred because of unreasonable handling, improper application or failure to perform reasonable or necessary maintenance will result in voiding this warranty.

Any Winger that has been repaired or modified by any person other than a suitably authorized representative of the Zinger Winger Inc. will also result in voiding this warranty.

Zinger Winger Inc. liability is limited to the repair or replacement of any affected parts FOB factory. Zinger Winger Inc. will not be responsible for any charges related to shipping, duties, or brokerage fees.

Zinger Winger Inc. reserves the right to discontinue or change parts and products of current manufactured models.



TO ORDER: 1-800-351-8411 FAX: 1-905-876-3360

Published by Zinger Winger Inc.  
264 Bronte St. South #13  
Milton, Ontario  
L9T 5A3 Canada  
905-876-0603



Visit [Gun Dog Supply.com](http://GunDogSupply.com)  
Order a Zinger Winger Uplander  
See Other Zinger Winger Products

## Remote Bird Launcher

User Manual  
Model: Uplander G3

# CONGRATULATIONS

You have just purchased one of the finest Remote Bird Launchers available.

The Uplander™ G3 is a versatile training tool that will soon become an important part of your training program. Whether you are a pro or amateur hunter the Uplander G3 will provide the means to effectively and successfully train your retriever.

Before you get started there is the important issue of SAFETY we must address. It is imperative that you read and thoroughly understand this manual prior to using the Uplander. While Zinger Winger Inc. has taken great care in the design and creation of this product it must be realized that failure to heed the safety warnings, as well as maintenance and operational procedures can result in serious injury to you or others. Always keep safety in mind.

Finally the Uplander G3 you have purchased is the result of the feedback we have received from dedicated trainers like yourself. If you have any suggestions on how it may be improved I would like to hear from you. Call our customer services department at 905-876-0603 or contact us via WWW.ZINGERWINGER.COM

Happy Training!

Robert Sampson  
Zinger Winger Inc.

PS: If you like your Uplander G3 please tell your friends, if you don't like it, tell me. I'll Make It Right!

## AVAILABLE ACCESSORIES



Zinger Winger "Live Bird Restraint" Pouch



Zinger Winger Multi-Shot™ Sound Release



Zinger Winger Rubber Kits



Zinger Winger ReceiverLoK™ "Universal Attachment System"

"Mini-Zinger G3" Remote Bird Launcher



Deluxe 4000



Zinger Folding Blind

## TROUBLESHOOTING

When you first notice a problem with your launcher it is important to pay close attention to what is occurring at that specific point in order to identify the problem. If you have multiple launchers and remote receivers you also need to determine which units are in question. It is recommended that you mark each launcher and remote receiver for identification purposes.

**Problem: The launcher does not launch. I hear no sound or see no movement coming from the release mechanism. It is completely dead.**

**Are the remote electronics working properly?** The best way to test whether the electronics are functioning properly is to test them on another launcher. If they activate another launcher it tells you that they are working. Having the receiver tested at a local Radio Shack will tell you if they are working as well.

**Have you charged the remote electronics?** You may have accidentally left the power on and drained the battery until it was dead. Recharge the batteries.

**Do the batteries in your remote electronics need replacement?** The batteries in your electronics may be nearing the end of their lifecycle and require replacement. The older the batteries the less dependable the power source needed to activate the release. Replace your batteries if needed.

**Are both the transmitter and receiver turned on?** Sounds obvious but it happens. Check to make sure that the electronics are turned on.

**Is the receiver programmed to the proper channel on the transmitter?** Consult the owners' manual to trouble shoot the electronics.

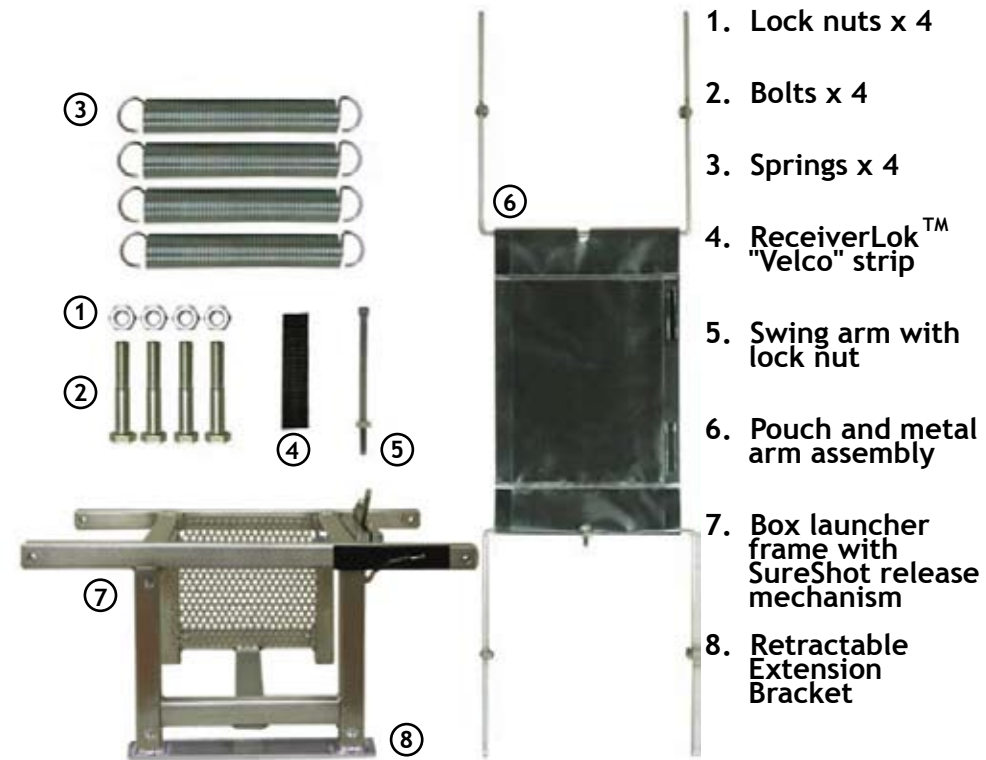
If you eliminate your remote electronics as the cause of the problem look at the plug and wiring harness. **Is the wire securely connected to the release mechanism? Are there any cuts or breaks in the wire? Is the plug faulty?** The most common explanation for a dead winger is a faulty plug. You can purchase a replacement at your local Radio Shack and have it soldered on. The type you require is a Mono (2 pole) stereo plug (not a 3 pole). Zinger Winger also sells plug retrofit kits where you simply have to crimp on bullet connectors with no soldering required.

If you still have no response the servo/solenoid actuator is faulty and service or replacement is required. Call our customer service department at 1-800-351-8411 for assistance.

**Problem: I can hear a sound (whirling, clicking, etc.) coming from the release mechanism but the launcher doesn't launch.**

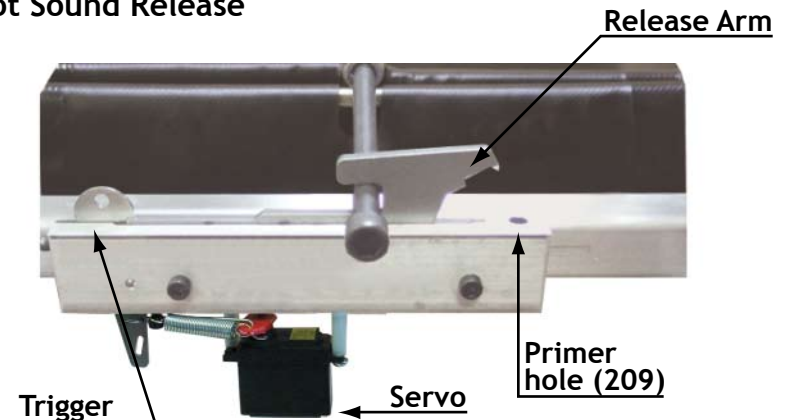
This would be a case where a faulty servo or solenoid is evident. Try lubricating and cleaning the release mechanism to clear any debris and dirt that may be affecting the release. If this doesn't work call our service department at 1-800-351-8411.

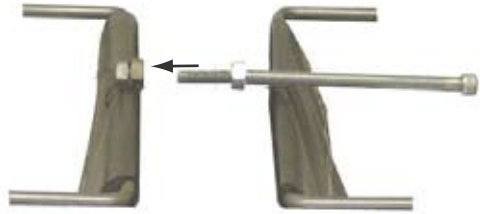
## COMPONENTS



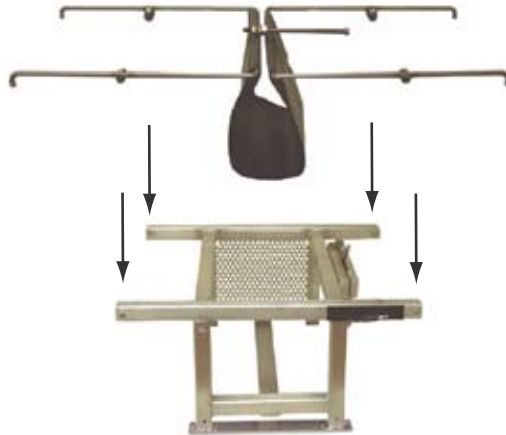
The following tools may be required to assemble the Uplander bird launcher:  
 -1/2" wrench  
 -Adjustable wrench  
 -Vise grips

### Shot Sound Release

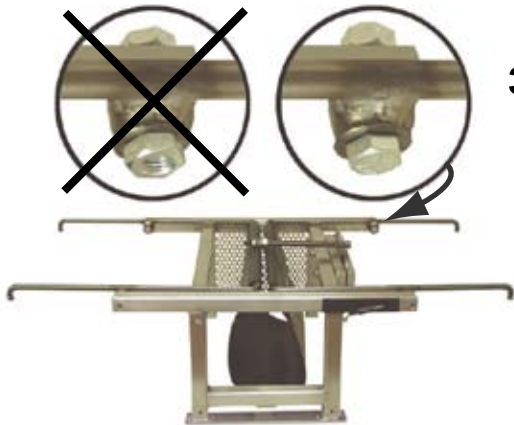




1. Insert the swing arm into the bushing on the pouch arm. Thread the locking nut and tighten. **WARNING: Failure to securely tighten this part can result in severe injury.**



2. Extend the pouch and metal arm assembly in front of you. Position the box frame with the opening facing towards you. Drop the pouch into the top opening of box frame.



3. Align the metal arm bushings to the box frame holes and install all 4 bolts and lock nuts. Make sure the bolts are facing inside and the nuts are facing outside. Tighten the bolts so that the metal arms still pivot freely. **IMPORTANT: Do not over tighten.**

**WARNING:** Failure to properly maintain the Zinger Winger Remote Bird Launcher in good working order could result in bodily injury to the user and/or spectators.

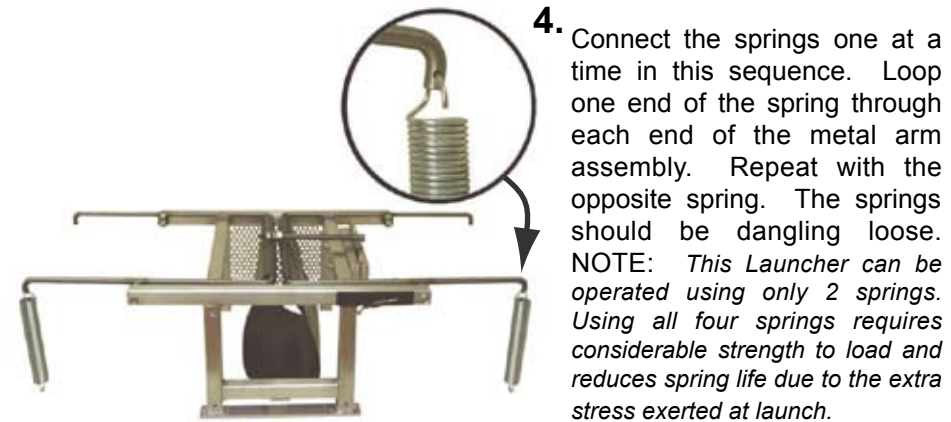
The most important component of the launcher is the Shot Sound Release mechanism. Its maintenance is critical for the launchers safe operation. Regularly clean and lubricate the release arm, trigger and spring (a silicone spray is recommended as it does not attract dirt/dust). All moving parts of the release should move back and forth freely without any stickiness or resistance. If you suspect a faulty release mechanism contact the manufacturer immediately for service.

All bolts and lock nuts must be checked regularly for tightness. All moving parts should be regularly sprayed with a high quality lubricant (silicone, graphite, etc.) to reduce rust, friction and noise. These include but are not limited to springs, release, bolt and joint connections, and safety pins. If using the launcher in wet conditions it should be taken indoors, dried and lubricated after each use. Rain will not effect the operation of the release but good maintenance will prevent future servicing. Use a mild soap and water solution to wipe down the launcher.

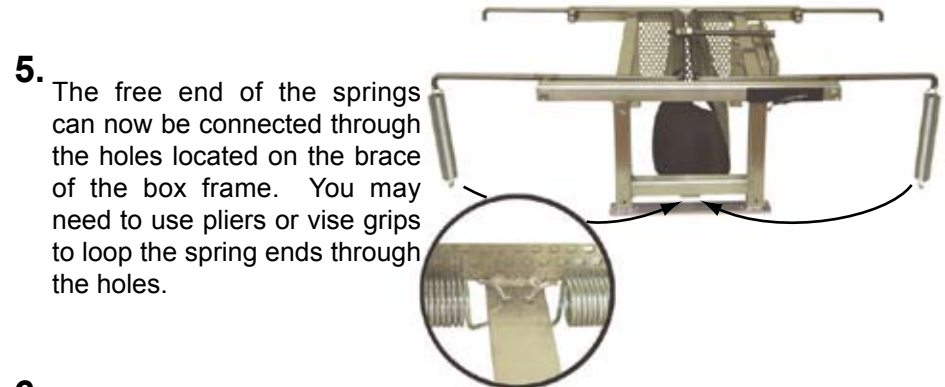
**WARNING:**

Anyone intending to use the Zinger Winger Remote Bird Launcher should read the User Manual. You must fully understand the safety, set-up, loading and maintenance procedures before attempting to operate this device. Failure to do so could result in severe bodily injury to the user and/or spectators.

1. Children should never be allowed to operate the launcher.
2. Always wear eye protection. Flying debris coming from the launcher may cause permanent eye damage.
3. Proper and regular maintenance of the launcher is critical to ensure reliable and safe operation. Failure to maintain the launcher can result in accidental misfiring and severe bodily injury to the user and/or spectators.
4. Always use hearing protection. The shot sound generated when using the Shot Sound Release can damage your hearing.
5. When loading the launcher keep the remote transmitter away from others to prevent accidental firing. Always move the toggle switch to an unused channel while reloading to prevent accidental misfires.
6. Keep your arms and hands free and clear of the launcher when loading. Never reach across or over the frame after loading.
7. Treat the launcher like you would treat a loaded gun.
8. Do not walk in front of the launcher once it is loaded.
9. Never aim the launcher towards people.
10. Throw only dog training products out of the launcher.
11. Heed all safety warnings located on the launcher.
12. Never use the launcher under the influence of alcohol and/or drugs.



4. Connect the springs one at a time in this sequence. Loop one end of the spring through each end of the metal arm assembly. Repeat with the opposite spring. The springs should be dangling loose. *NOTE: This Launcher can be operated using only 2 springs. Using all four springs requires considerable strength to load and reduces spring life due to the extra stress exerted at launch.*



5. The free end of the springs can now be connected through the holes located on the brace of the box frame. You may need to use pliers or vise grips to loop the spring ends through the holes.

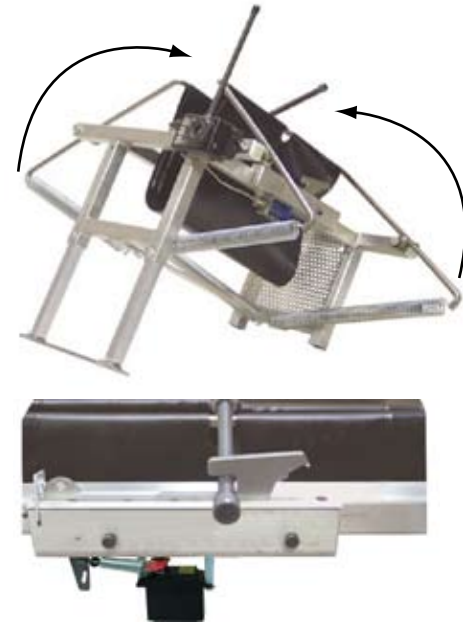
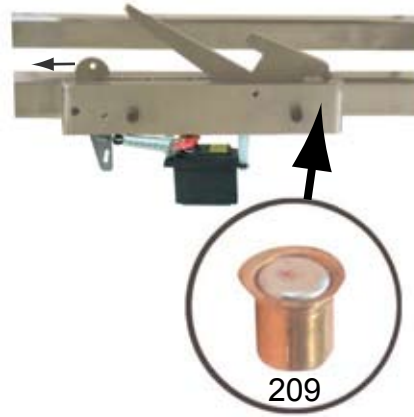
6. Attach the strip of ReceiverLoK™ to the back of your remote receiver and press the two mating surfaces together. Ensure the remote receivers antenna will not interfere with the metal arms of the launcher when activated. Attach the electronic plug into the receiver.



An extension leg is provided if you require an angled launch. This can prove valuable in forcing the bird to fly in a predetermined direction. Position the launcher where you want the bird to be released. Press the button snap and pull down on the extension bracket until it locks into place.

## LOADING

1. To disengage the spring loaded release arm move the trigger to the left, the release arm will swing up into a ready position. A primer for an attention getting shot can be inserted at this time.



2. Grasp both metal arms and force downward. The pouch will drop into the frame of the launcher as the swing arm engages the release arm. Push downward until you see and hear the trigger and release arm engage each other. **IMPORTANT: Keep your force on the metal arms until you are sure that the launcher is cocked.** Quickly step away and remove your arms and hands from the danger zone.

3. Load bird or bumper through the open end of the box frame. After the bird is inserted the Velcro flaps can be closed to prevent the bird from escaping.



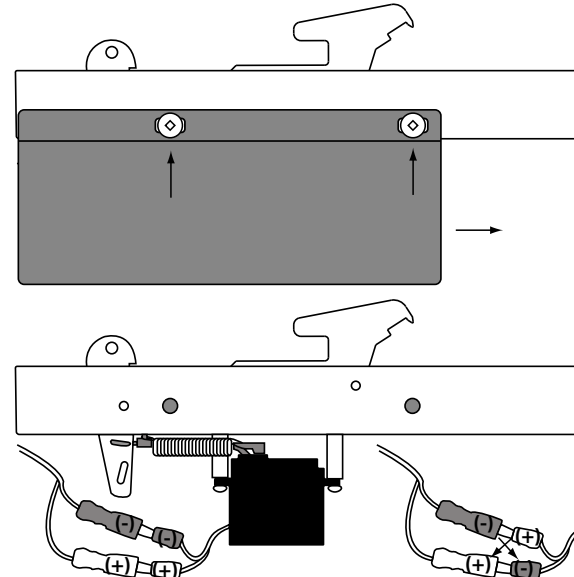
## WIRING NOTICE

The wiring of this unit may need to be modified depending on the brand of remote controls you use. If your remote controls do not operate this winger please follow the simple instructions below. You may also call our service department at 1-800-351-8411 for assistance.

**DOGTRA RRD OWNERS READ THIS** - The Dogtra RRD receiver with duck call has two ports into which the Winger's electrical plug can be inserted. The port located on the right side of the receiver is for an accessory speaker designed to amplify the sound of the duck call. This port will not operate the winger. The correct port to use for activating the winger is located on the BACK of the receiver. Dogtra does not indicate this in their manual.

The wiring of this winger is factory set for use with the Dogtra RR remote release system. If you have already indicated to your sales representative what brand of remote you are using then this winger may have already been modified at the factory to work with your brand. Determine if your remotes will activate this unit by simply plugging the receiver to the winger and pressing the launch button (You do not have to set up or load the winger to test the release). The half round trigger should pull back counter clockwise. If the trigger attempts to move clockwise then the polarity is wrong and the wires must be reversed.

**Changing the polarity of the wires is as simple as reversing the alignment of the bullet connectors.** The quick connectors are located just off the servo which is attached to the release mechanism and protected beneath a shield. Follow these instructions depending on what model you have:



Remove the two bolts that secure the protective shield to the release. Move the shield over to expose the servo and wiring.

You will notice the two bullet connectors. This wiring pattern must be reversed. Grip the opposite ends of the connectors and pull them apart. **DO NOT PULL ON THE WIRES.**

Flip the pattern of the connectors and test your remotes. Verify that the remotes work properly before reinstalling the shield and bolts.

Factory setting: Dogtra

For Tritronics setting