

NO BARK COLLAR

OWNER'S MANUAL



Dogtra Company

22912 Lockness Avenue
Torrance, CA 90501
U.S.A.

telephone (310) 534 - 0101
fax (310) 534 - 9111
toll free 1-888-811-9111



dogtra YS300 *with Lithium-Polymer Battery*



• OVERVIEW	3
• MAIN FEATURES	4
• SAFETY PRECAUTIONS	5
• PACKAGE CONTENTS	7
• DESCRIPTION	8
• TESTING YOUR NO BARK COLLAR	14
• TO RECHARGE THE BATTERY	16
• FITTING THE COLLAR	18
• MAINTENANCE	18
• TROUBLESHOOTING	19
• FREQUENTLY ASKED QUESTIONS	20
• WARRANTY AND REPAIR	22

OVERVIEW

Thank you for purchasing the dogtra “No Bark Collar” Model YS300!

This product has been specifically designed to prevent your dog from barking excessively by emitting an automatic electrical stimulation when your dog barks.

The **dogtra ys300** is a safe No Bark Collar intended for small to medium (sensitive) sized dogs.

Instructions are included. Please read them thoroughly before using your “**dogtra ys300**”.

MAIN FEATURES

- Non-electrical stimulation vibration (P) warning prior to the stimulation.
- 6 intensity levels (2-7) for a wide variety of dispositions.
- Test Mode (T) for testing the No Bark Collar.

Rechargeable 2-hour rapid charge Lithium

- Polymer Battery.

Fits dogs as small as 10 lbs.

- (Receiver weight : 4.0 ounces)

Tri-Color LED Battery Life Indicator.

-

Fully waterproof.

-

Small size - 2.63" X 1.81" X 1.14"

-

Light weight - 4.0 ounces.

-

- Uses Surgical Stainless Steel contact points and anti-microbial plastic to protect the dog's skin.

SAFETY PRECAUTIONS

Your dogtra "No Bark Collar" is a valuable training aid when used correctly.

The dogtra No Bark Collar uses Surgical Stainless Steel contact points and anti-microbial plastic to protect the dog's skin. Please observe your dog's neck everyday because it may rub as the dog moves, causing irritation if the collar is too loose.

To prevent skin irritation, the collar should not be worn more than 8-hours at a time.

Also, it is best to move the location of the contact points every few hours. To do this, take the collar off and then put it back on so that the contact points are in a different location on the neck.

If skin irritation is found, wash the area and rinse with hydrogen peroxide. Apply an antibiotic ointment. Temporarily discontinue using the collar until the skin has healed.

Proper collar strap tightness is extremely important. If the collar is too loose, it will not function properly and it may rub as the dog moves, causing irritation.

dogtra No Bark Collars are intended for the sole purpose of preventing the dog from barking.

Do not attempt to test dogtra No Bark Collars on humans or other animals.

Dogs should be in good health during this collar training.

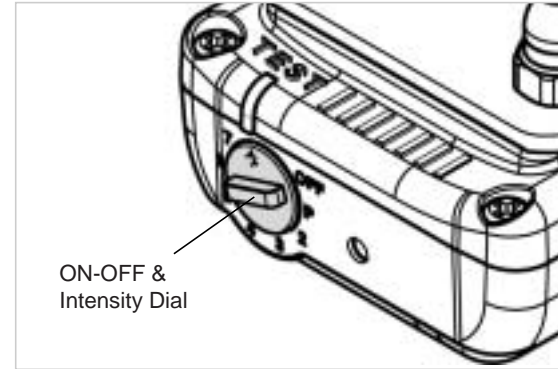
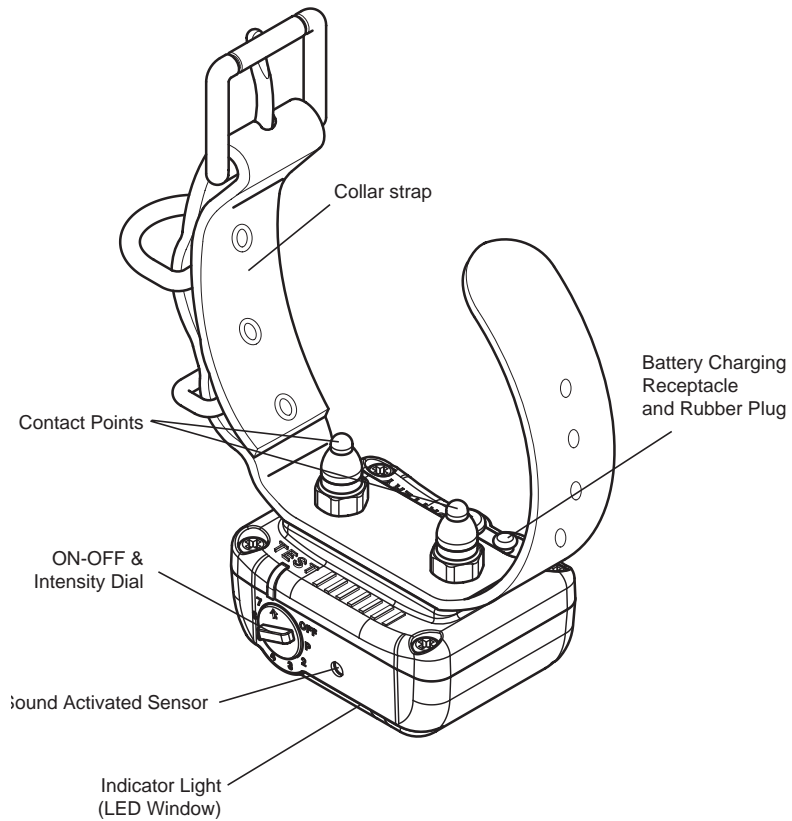
dogtra No Bark Collars are not intended for use on dogs weighing less than 10 pounds or less than 6 months of age. If you have any concerns, please consult with your trainer.

IMPORTANT : Please remove the No Bark Collar before playing with your dog. The activity may cause your dog to bark, which could lead him to associate playing with the electrical stimulation

dogtra COLLAR PACKAGE CONTENTS

- No Bark Collar with collar strap
- Lithium Polymer Battery Charger
- Owner's Manual
- Plastic Dummy Contact Points

DESCRIPTION



ON-OFF & Intensity Dial

The ON-OFF & Intensity Dial on the collar is used to turn the “*dogtra ys300*” on and off, to select the intensity level, and to test the *dogtra ys300* .

Set the ON-OFF & Intensity Dial on the “OFF” position to turn off the “*dogtra ys300*”

On pager mode (P) the collar will only vibrate. Level 2 is the lowest electrical stimulation and Level 7 is the highest. On each level, a vibration is followed by stimulation.

DESCRIPTION

Set the ON-OFF & Intensity Dial on the test mode (T) to test the **dogtra ys300**.

(See “TESTING THE NO BARK COLLAR” on page 14.)

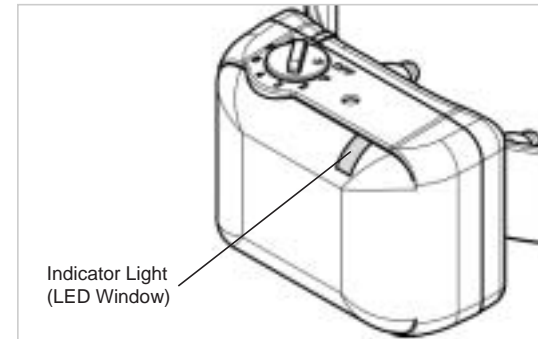
ON-OFF & Intensity Dial	Function
OFF	Power OFF
P	Vibration only (non-stimulation)
2~7	Vibration followed by stimulation
T	Test mode

NOTICE

When first using the “**dogtra ys300**”, it is recommended that you start with the lowest level.

If the dog continues to bark, gradually increase the intensity level.

DESCRIPTION



Indicator Light (LED window)

The indicator light (LED Window) will flash 1 second when the dogtra YS300 has been turned on. Then after 2 seconds, it will flash every 2 seconds. If the dog does not bark over 10 seconds, it will turn to the Sleep mode to save battery life and the LED will turn off.

Before going into Sleep mode, the LED light flashes green when the battery is fully charged and turns to amber when the battery life is getting low. When the LED indicator emits a blinking red light, the battery needs to be recharged.

Battery life LED window	Fully charged	Medium charge	Needs charge
On Working	Flashes Green	Flashes Amber	Flashes Red
On Charging	Stays on Green	Stays on Red	Stays on Red

DESCRIPTION

Contact Points

dogtra ys300 uses surgical stainless steel contact points to protect the dog's skin.

The length of the contact points should be well-fitted so that the contact points are held firmly against the dog's skin.

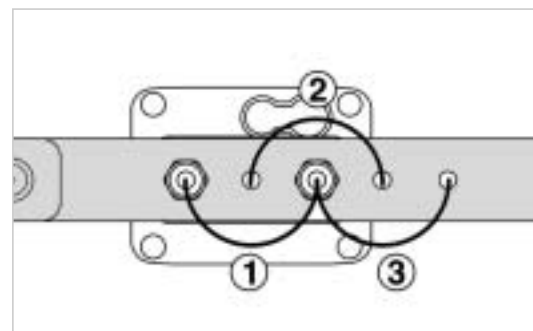
IMPORTANT : Avoid touching the Contact points unless the No Bark Collar is completely discharged, or you may feel the electrical stimulation yourself.

Plastic Dummy Contact Points

If your dog is trained enough, you can replace the Contact Points with the Plastic Contact Points included in the package. By doing so, it will allow you to keep the collar on your dog for a longer period of time with less irritation on the skin. You may also use the Pager mode as a useful tool in correcting your dog without the stimulation, however, only leave the collar on for 8-hours at a time if the stainless steel contact points are still being utilized.

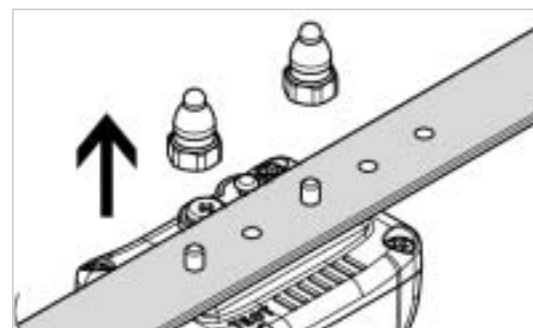
DESCRIPTION

Collar Strap Adjust

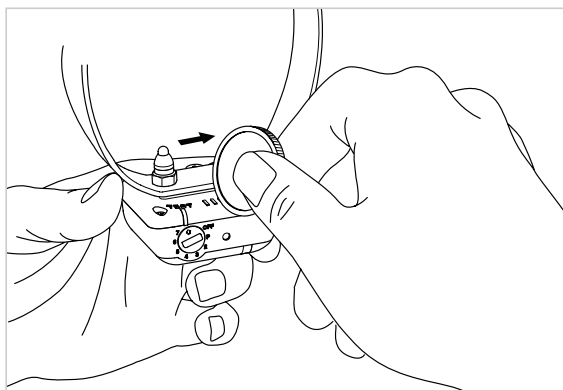


The collar strap of the **dogtra ys300** can be adjusted 3 steps as shown in the diagram above.

To adjust the collar strap, first unscrew the contact points and put screws in desired holes, then tighten the contact points as shown below.



TESTING YOUR NO BARK COLLAR



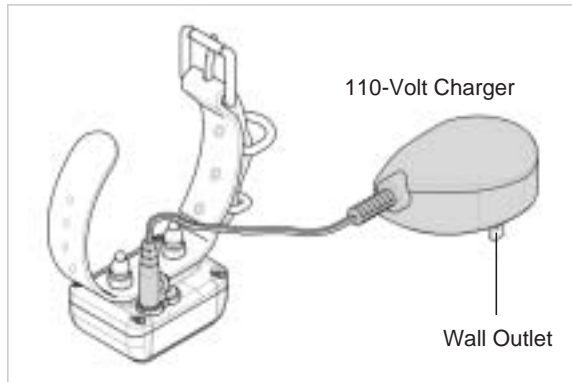
1. Turn the **dogtra ys300** on by turning the ON-OFF & Intensity Dial and select the test mode (T) so that the arrow on the dial is aligned with the letter “T”.

The LED indicator light will flash 1 second to indicate that it is on, after 2 seconds it will flash every 2 seconds. If the dog does not bark over 10 seconds, it will turn to the Sleep mode to save battery life and the LED will turn off.

2. Test by scratching the rough surface of the test tool on the collar (as shown in the diagram) using a coin or a hard metal object. The collar will emit a vibration three times. Repeat the same process if you want to test again.

- * **When on the test mode, the No Bark Collar emits a vibration without emitting stimulation at the same time.**
- * **When on the test mode, the sensor may be sensitive enough that the No Bark Collar can activate easily by a small sound or tap.**

TO RECHARGE THE BATTERY



1. Open the Battery Charging Receptacle & Rubber Plug on the No Bark Collar and connect the Lithium Polymer Charger to the battery-charging receptacle as shown in the diagram.
2. Plug the charger into an electrical power outlet of ordinary household voltage (110V).
3. Lithium-Polymer Battery provides a 2-hour rapid charge.

4. When the battery is recharging, the LED will stay on red. The LED light will become green when the battery is completely recharged. (The battery is fully charged with a 2-3 hour charge.)

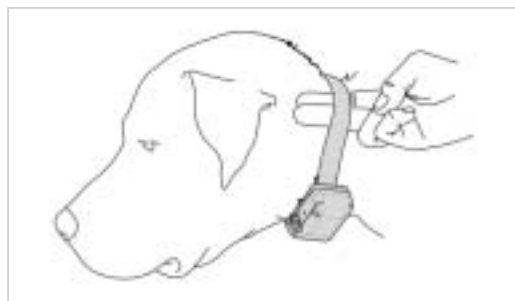
Battery life On charging	Charging	Completely recharged.
Indicator Light (LED Window)	Red	Green

Note : Only use the dogtra approved Lithium Polymer Battery Charger that is designed for **dogtra ys300** , or it could potentially damage the unit.

FITTING THE COLLAR

The collar strap should be adjusted so that the contact points are held firmly against the dog's skin.

Fasten the collar enough to allow one or two fingers to fit between the collar strap and your dog's neck.



If the collar is too loose, electrical contact will be inconsistent and your corrections will be inconsistent also.

MAINTENANCE

Periodically wash the No Bark Collar with alcohol or detergent. Dry thoroughly after washing.

TROUBLESHOOTING

My dog keeps barking. Is the No Bark Collar working properly?

- Check and see that dogtra No Bark Collar is turned on.
- Tighten the collar strap and make sure the contact points are held firmly against the dog's skin.
- Recharge the battery if it is discharged.
- Increase the electric stimulation levels.
 - We advise you to start with the lowest level when first using the “**dogtra ys300**”.
 - The dog can be startled at the electrical correction for the first time.
 - If you consider the intensity of stimulation too light, increase the level gradually.
 - In case of stubborn or aggressive dogs, you can increase the intensity level suddenly, and then give a low level back.
 - You have to be very careful in deciding the intensity level.The electrical contact can be inconsistent or it can give rise to negative influences on dogs, if you select the wrong intensity level.
- For more information, contact the customer service center at 1-888-811-9111 (8:30am-4:00pm PST)

FREQUENTLY ASKED QUESTIONS

1. How long does it take to fully recharge the batteries and how long do the batteries last for a recharge?

dogtra YS300 uses Lithium Polymer Batteries, which provide a rapid charge.

It takes 2~3 hours to recharge the batteries if the batteries are fully discharged.

The LED indicator light stays on red while the battery is being charged, and the light will change into a green color and stay on without blinking when the battery is completely charged. It may vary from the frequency of uses, but the batteries should last for about 2 weeks.

2. How tight should the No Bark Collar be around my dog's neck?

- The contact points must have direct contact with your dog's skin.
- Adjust the contact points so that they are held firmly against the dog's skin.
- Check the fit to prevent excessive pressure by being able to insert one or two fingers between the contact points and your dog's skin.
 - If the collar is too loose, it can move around the dog's neck or the stimulation will not be consistent, whereas it may be difficult for your dog to breath if the collar is too tight.

- Mark the desired length of the collar with a pen for next uses.
- If after finding the desired length of collar you have an excess of collar strap, it is okay to trim off the leftover part with a pair of scissors. However, be sure to leave extra length, if necessary, to accommodate the future growth of the dog.

3. My dog seems to be startled at the static correction. Will the stimulation harm my dog?

- Dogtra No Bark Collar is not intended for the punishment but for the reinforcement of behavior modification of dogs. But if your dog is startled when first using the dogtra No Bark Collar, remove the collar until your dog is settled. You may want to turn the collar off, and put the collar back on him for a day or so, until he is comfortable. Attempt the collar again at a lower level when you see that your dog is more accustomed.

4. How do I get it repaired and get information about dogtra No Bark Collar?

Most repairs can be completed within 48 hours after we receive your unit, as long as all needed parts are in stock. Some repairs, however, will require additional work time.

For any questions concerning your Dogtra products call us Toll free at 1-888-811-9111, (8:30am-4:00pm, Pacific Standard Time).

WARRANTY AND REPAIR

Warranty Repair

Dogtra Company provides the original purchaser a one-year limited warranty on parts and labor from the date of original purchase. A sales receipt with purchase date will be required, as well as a brief note explaining the problem.

- The warranty does not cover failure resulting from damage, abuse or loss of parts.
- The warranty is void if the unit has been altered or an unauthorized person has attempted repair.

Out of Warranty Repair

- For repair work that is no longer covered by the warranty, the cost of repair will include parts, labor, and shipping. Please include a note explaining the problem. Be sure to include your name, address and phone number. Repairs may be sent to the following address.

A self-addressed stamped envelope should be sent to :



Dogtra Company

22912 Lockness Avenue
Torrance, CA 90501
U.S.A.

telephone (310) 534 - 0101
fax (310) 534 - 9111
toll free 1-888-811-9111