

GARMIN®



T 20 DOG COLLAR DEVICE

Owner's Manual

VISIT GUN DOG SUPPLY.COM
ORDER A GARMIN T20 COLLAR
SEE OTHER GARMIN PRODUCTS

© 2023 Garmin Ltd. or its subsidiaries

All rights reserved. Under the copyright laws, this manual may not be copied, in whole or in part, without the written consent of Garmin. Garmin reserves the right to change or improve its products and to make changes in the content of this manual without obligation to notify any person or organization of such changes or improvements. Go to www.garmin.com for current updates and supplemental information concerning the use of this product.

Garmin®, the Garmin logo, and Alpha® are trademarks of Garmin Ltd. or its subsidiaries, registered in the USA and other countries. Garmin Express™ is a trademark of Garmin Ltd. or its subsidiaries. These trademarks may not be used without the express permission of Garmin.

TORX® is a registered trademark of Acument Intellectual Properties, LLC in the United States or other countries. Wi-Fi® is a registered mark of Wi-Fi Alliance Corporation. Other trademarks and trade names are those of their respective owners.

Table of Contents

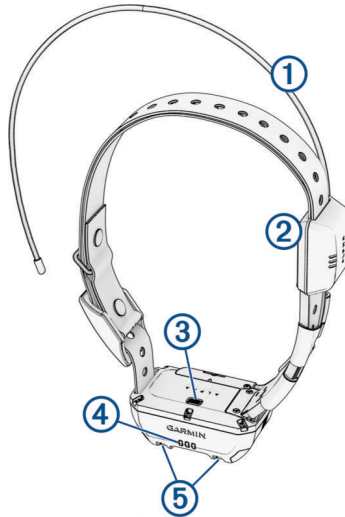
Getting Started.....	1
Dog Collar Device.....	1
Turning On the Device.....	1
Turning Off the Device.....	1
Charging the Dog Collar Device.....	2
Acquiring Satellite Signals.....	2
Adding a Dog to the Alpha® Navigator	
Using Wireless Pairing.....	2
Fitting the Collar on Your Dog.....	3
Dog Tracking and Training.....	3
Dog Tracking.....	3
Dog Training.....	4
Communication with the Dog Collar	
Device.....	4
Using a Dynamic Update Rate.....	4
Using Sleep Mode.....	5
Device Information.....	5
Getting the Owner's Manual.....	5
Product Updates.....	5
VHF Radio Information.....	6
Dog Collar Device Specifications.....	6
Appendix.....	6
Purchasing Accessories.....	6
Replacing the Dog Collar Battery.....	7
Replacing the Dog Collar Flex Band.....	8
Replacing the Dog Collar Strap.....	8
Replacing the Dog Collar VHF	
Antenna.....	9

Getting Started

⚠ WARNING

See the *Important Safety and Product Information* guide in the product box for product warnings and other important information.

Dog Collar Device



①	VHF antenna
②	GPS antenna
③	Power button
④	Status LED
⑤	Flashing beacon LEDs

Turning On the Device

- On the dog collar device, hold the power button until the status LED flashes and the collar beeps.

Turning Off the Device

Hold the power button until the status LED turns solid red.

The dog collar device beeps and turns off.

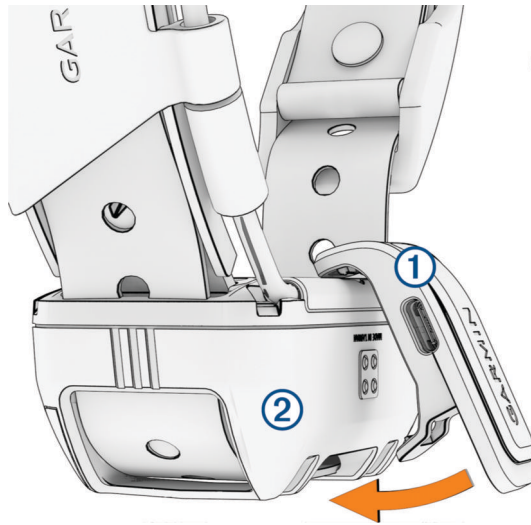
Charging the Dog Collar Device

NOTICE

To prevent corrosion, thoroughly dry the contacts on the dog collar device and the surrounding area before connecting the charging clip.

You should fully charge the battery before you use the dog collar device for the first time. Charging a fully depleted battery takes about five hours.

- 1 Snap the charging clip ① onto the dog collar device ②.



- 2 Plug the small end of the power cable into the USB port on the charging clip.
- 3 Plug the power cable into a power source.
The status LED is solid red when the collar is charging.
- 4 After the status LED turns solid green, remove the charging clip from the collar.

Acquiring Satellite Signals

Both the dog collar device and navigator must acquire satellite signals before you put the dog collar device on your dog. Acquiring satellites can take a few minutes.

- 1 Go outdoors to an open area.
- 2 Turn on both devices.

 in the status bar shows the GPS signal strength.

When the dog collar device has acquired satellite signals, the status LED flashes green.

Adding a Dog to the Alpha[®] Navigator Using Wireless Pairing

To pair wirelessly, the dog collar device must be within range of the Alpha navigator.

- 1 Hold the power button on the dog collar device until the device emits two series of beeps (about 2 seconds), and then release the power button.
The status LED flashes blue. The dog collar device is now ready to be paired with a navigator.
- 2 On the navigator, select **Dog List > Add Dog**.
- 3 Select **Pair Collar**, and follow the on-screen instructions.
- 4 After successfully adding the dog collar device, enter the name of the dog, and select ✓.
- 5 Select a beacon color for this dog collar device, and select ✓.

Fitting the Collar on Your Dog

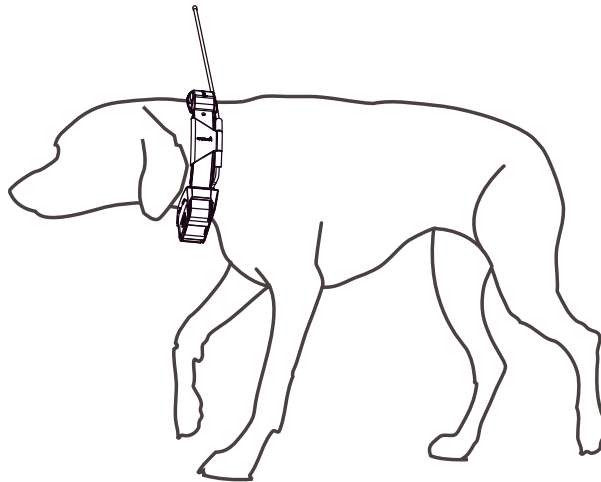
⚠ CAUTION

Do not spray the device or collar with harsh chemicals including but not limited to flea or tick spray. Always ensure that any flea or tick spray that is applied to the dog is completely dry before placing the collar on the dog. Small amounts of harsh chemicals can damage the plastic components and collar strap.

Before you can put the collar on the dog, you must pair the navigator and dog collar device (*Adding a Dog to the Alpha® Navigator Using Wireless Pairing, page 2*), and acquire satellite signals (*Acquiring Satellite Signals, page 2*).

- 1 Position the collar with the communication antenna pointing up, the GPS antenna facing up, and the LEDs facing forward.
- 2 Place the collar around the middle of the dog's neck.
- 3 Tighten the strap so it is snug around the dog's neck, and fasten the buckle.

NOTE: The collar should fit tightly and should not be able to rotate or slide on the dog's neck. The dog must be able to swallow food and water normally. You should observe your dog's behavior to verify the collar is not too tight.



- 4 If the strap is too long, cut off the excess, leaving at least 7.62 cm (3 in.) to spare.

Dog Tracking and Training

One navigator can track multiple dog collar devices and other navigators.

Dog Tracking

The navigator allows you to track your dog or multiple dogs, using the tracking compass or map. The map displays your location and your dog's location and tracks. The compass pointer indicates the direction of the dog's current location.

Dog Training

NOTICE

You should research and investigate the training methods best suited for you, your dog, and your needs. This manual provides some basic guidelines for training, but each dog has unique training needs.

When used properly, the Alpha training system is a very effective training tool to aid your dog in reaching its full potential. The use of the training system should be part of an overall training program.

Begin training your dog on a leash, without the Alpha training system. You should train your dog how to heel, sit, and come to you. After the dog understands these three basic commands, you can begin training with the dog collar device and the leash. Finally, when the dog consistently obeys commands using the leash and collar, you may be able to remove the leash to train with only the dog collar device.

Training Methods

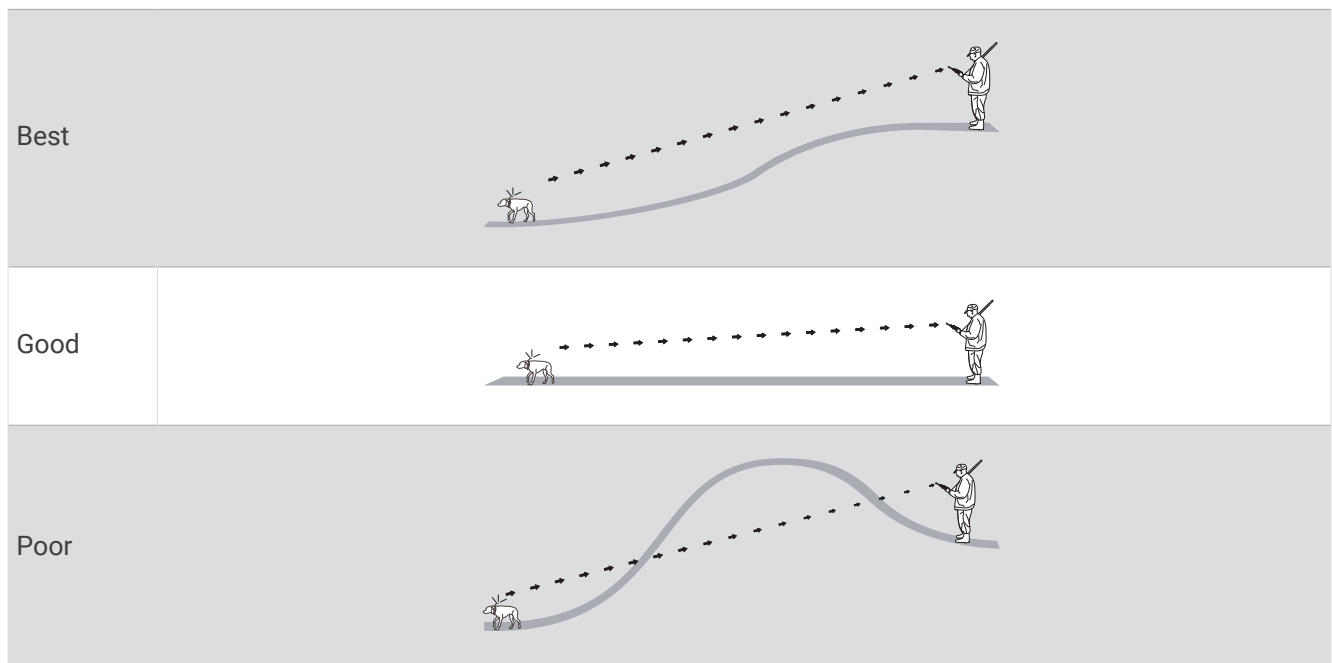
NOTE: Training features are not available in all areas for tracking collars.

Tone: Activates an audible tone the entire time you press the training button.

Vibration: Applies vibration to the dog the entire time you press the training button, for a maximum of 8 seconds. The effectiveness of vibration may vary based on the dog's temperament and experience.

Communication with the Dog Collar Device

You should keep an unobstructed line of sight between your navigator and dog collar device to produce the best communication signal. To achieve the best line-of-sight conditions, you should move to the highest elevation point in your area (for example, on the top of a hill).




Using a Dynamic Update Rate

When you are actively tracking your dog, the dog collar device can use a dynamic update rate to help conserve battery power based on the activity of your dog.

- 1 Select **Dog List**.
- 2 Select a dog.
- 3 Select **Update Rate > Dynamic**.

Using Sleep Mode

Before you can enter sleep mode, you must track your dog's location using the compatible dog collar device. When paired with a navigator, the dog collar device can be put into sleep mode to conserve the battery when you are not actively tracking your dog.

- 1 Select **Dog List**.
- 2 Select a dog.
- 3 Select  > **Adjust Collar Sleep Mode**.
- 4 Select an option:
 - Select **Sleep** to enter sleep mode.
 - Select **Wake** to exit sleep mode.

Device Information

Getting the Owner's Manual

You can get the latest owner's manual from the web.

- 1 Go to www.garmin.com/support.
- 2 Select **Manuals**.
- 3 Follow the on-screen instructions to select your product.

Product Updates


On your computer, install Garmin Express™ (www.garmin.com/express).

This provides easy access to these services for Garmin® devices:

- Software updates
- Product registration

Setting Up Wi-Fi® for the Dog Collar Device

When paired with a navigator that supports the setup of Wi-Fi technology on a dog collar device, the dog collar device can scan for nearby Wi-Fi networks and pair to a selected network. When the dog collar device is connected to a Wi-Fi network, it automatically checks for available software updates and installs them when the dog collar device is charging, and in range of the connected Wi-Fi network.

- 1 Select **Dog List**.
- 2 Select a dog.
- 3 Select  > **Collar Wi-Fi Setup**, and follow the on-screen instructions.

Setting Up Garmin Express

- 1 Connect the device to your computer using a USB cable.
- 2 Go to garmin.com/express.
- 3 Follow the on-screen instructions.

Connecting the Dog Collar Device to a Computer

NOTICE

To prevent corrosion, you should dry the contacts on the dog collar device and the surrounding area before connecting the charging clip.

- 1 Snap the charging clip onto the dog collar device.
- 2 Plug the small end of the USB cable into the USB port on the charging clip.
- 3 Plug the other end of the USB cable into a USB port on the computer.

VHF Radio Information

This product may be used only on specific radio frequencies, which vary depending on the country of use. The navigator and dog collar device allow the user to install a different antenna. Changing the antenna can result in improved radio performance and higher radiated power. You must not use the device with a third party antenna or an antenna not approved by Garmin. Go to www.garmin.com/tracking-legal for details about the performance and radio frequency of this product, lawful accessories, and power limits for countries.

Dog Collar Device Specifications

Battery type	Rechargeable, replaceable lithium-ion ¹ Optional extended battery box accessory available ²
Battery life	Up to 68 hr. Up to 136 hr. with optional extended battery box accessory
Operating temperature range	From -20° to 60°C (from -4° to 140°F)
Charging temperature range	From 0° to 40°C (from 32° to 104°F)
Storage temperature range	From -20° to 70°C (from -4° to 158°F)
ANT® wireless range	Up to 10 m (32.8 ft.)
VHF radio range	Up to 14.48 km (9 mi.)
Wireless frequencies/protocols	152-169 MHz @ 23.1 dBm maximum, 2.4 GHz @ 12.33 dBm maximum
EU SAR	0.15 W/kg simultaneous torso, 0.15 W/kg simultaneous limb
Water rating	1 ATM ³

Appendix

Purchasing Accessories

- Optional accessories are available at garmin.com or from your Garmin dealer.

¹ Only for use with Garmin part number 361-00035-16.

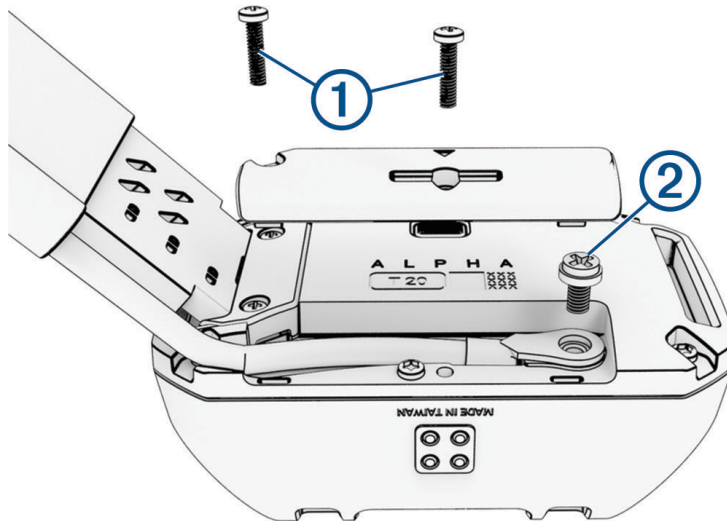
² Only for use with Garmin part number 361-00148-00.

³ The device withstands pressure equivalent to a depth of 10 m. For more information, go to www.garmin.com/waterrating.

Replacing the Dog Collar Battery

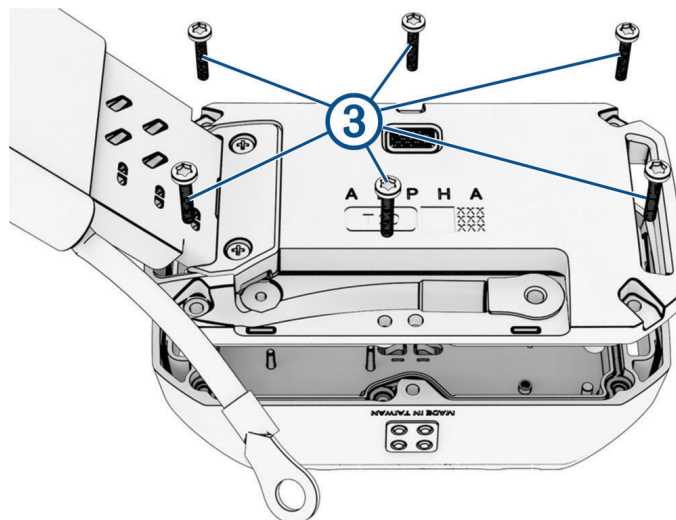
Before you replace the battery, you must remove all dirt, water, and debris from the dog collar device. You must also have a small Phillips (#2) screwdriver and a small TORX® (T5) screwdriver.

- 1 Remove the 2 screws ① from the cover over the VHF antenna.



- 2 Remove the VHF antenna cover.
- 3 Remove the screw ② securing the VHF antenna to the back plate.
- 4 Remove the six screws ③ from the outer edges of the back plate.

Note the orientation of the status LED and charging clip connectors on the battery. You must install the new battery the same way.



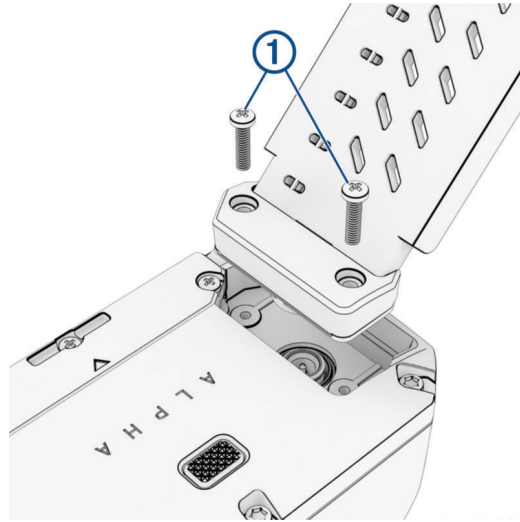
- 5 Remove the battery.
NOTE: Ensure the gasket, or battery seal, is removed with the used battery. Verify that the gasket with the new battery is not damaged and that it is completely seated in the groove.
- 6 Connect the new battery to the back plate, and tighten the screws.
- 7 Replace the screw securing the VHF antenna to the back plate.
- 8 Replace the cover over the VHF antenna.
- 9 Replace and tighten the 2 screws on the VHF antenna cover.

After you remove the old battery, contact your local waste disposal department to properly recycle the battery.

Replacing the Dog Collar Flex Band

Before you replace the dog collar flex band, you must remove all dirt, water, and debris from the dog collar device. You must also have a small Phillips (#2) screwdriver.

- 1 Remove the 2 screws ① securing the dog collar flex band to the back plate.



- 2 Remove the old dog collar flex band.
- 3 Place the new dog collar flex band on the back plate, and tighten the 2 screws to secure it.

Replacing the Dog Collar Strap

Before you replace the dog collar strap, you must remove all dirt, water, and debris from the dog collar device.

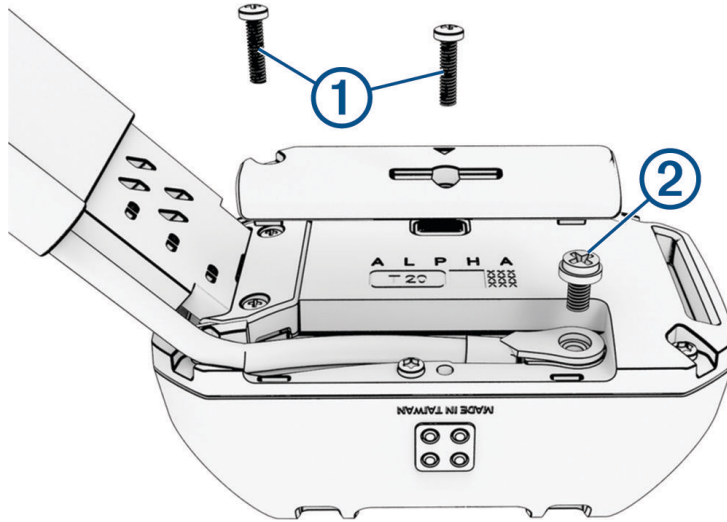
- 1 Pull the dog collar strap out of the antenna guide and the dog collar device.
You may need to push and pull the dog collar strap to properly remove it.
- 2 Thread the new dog collar strap through the dog device and antenna guide.



Replacing the Dog Collar VHF Antenna

Before you replace the VHF antenna, you must remove all dirt, water, and debris from the dog collar device. You must also have a small Phillips (#2) screwdriver.

- 1 Remove the 2 screws ① from the cover over the VHF antenna.



- 2 Remove the VHF antenna cover.
- 3 Remove the screw ② securing the VHF antenna to the back plate.
- 4 Pull the length of the antenna from the antenna guide to remove the old antenna.
- 5 Thread the new VHF antenna through the antenna guide.
- 6 Replace the screw securing the VHF antenna to the back plate.
- 7 Replace the cover over the VHF antenna.
- 8 Replace and tighten the 2 screws securing the VHF antenna cover.
- 9 Secure the antenna with additional antenna clips (optional).



