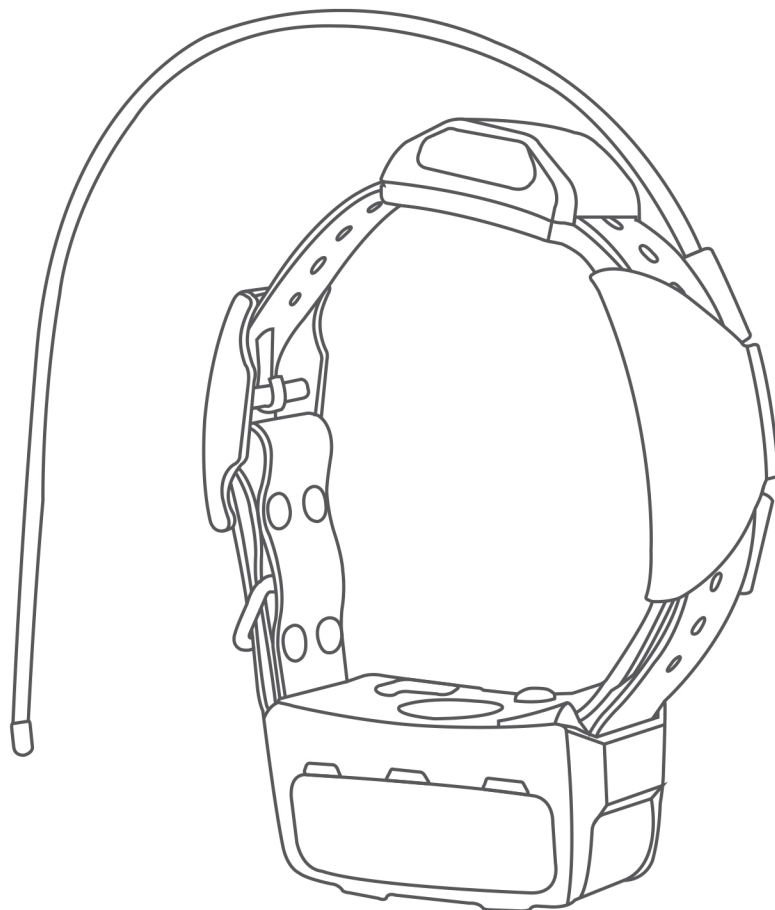


GARMIN®



T 5X/T 5 MINI DOG COLLAR DEVICE

VISIT GUN DOG SUPPLY.COM

ORDER A T5X COLLAR

ORDER A T5 MINI COLLAR

SEE OTHER GARMIN PRODUCTS

T 5X/T 5 mini Dog Collar Device Quick Start Manual

Getting Started

WARNING

See the *Important Safety and Product Information* guide in the product box for product warnings and other important information.

Dog Collar Device

NOTE: Your dog collar device may look different than the device pictured.



①	VHF antenna
②	GPS antenna
③	Power button
④	Status LED and flashing beacon LEDs

Turning On the Device

- On the dog collar device, hold the power button until the status LED flashes and the collar beeps.

Turning Off the Dog Collar Device

Hold the power button until the status LED turns solid red and the device beeps.

Charging the Dog Collar Device

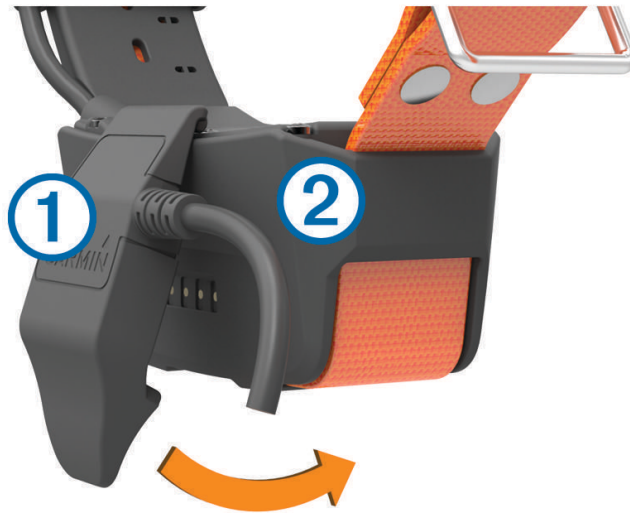
NOTICE

To prevent corrosion, thoroughly dry the contacts on the collar and the surrounding area before connecting the charging clip.

NOTE: Your dog collar device may look different than the device pictured.

You should fully charge the battery before you use the device for the first time. Charging a fully depleted battery takes about five hours.

- 1 Snap the charging clip ① onto the device ②.



- 2 Plug the small end of the power cable into the mini-USB port on the charging clip cable.
- 3 Plug the power cable into a power source.
The status LED is solid red when the collar is charging.
- 4 After the status LED turns solid green, remove the charging clip from the collar.

Acquiring Satellite Signals


Both the collar and handheld device must acquire satellite signals before you put the collar on your dog. Acquiring satellites can take a few minutes.

- 1 Go outdoors to an open area.
- 2 Turn on both devices.

▬▬▬ in the status bar shows the GPS signal strength.

When the collar has acquired satellite signals, the status LED flashes a double-blink or triple-blink in green.

Adding a Dog to the Alpha[®] Handheld Using Wireless Pairing

- 1 If the dog collar device is on, turn off the dog collar device.
- 2 Hold the power key on the dog collar device until the device emits two series of beeps (about 2 seconds), and then release the power button.
The status LED flashes rapidly in green. The dog collar device is now ready to be linked, or paired, with a handheld device.
- 3 On the handheld device, select **Dog List > Add Dog**.
- 4 Select an option:
 - If you are near the dog collar device, select **Pair Collar**, and follow the on-screen instructions.
 - To pair a dog collar device by receiving the information from another handheld device, select **Receive from Handheld**.
NOTE: To successfully pair the device, the other handheld device must be wirelessly sharing the dog collar device information.
- 5 After successfully adding the dog collar device, enter the name of the dog, and select .

Fitting the Collar on Your Dog

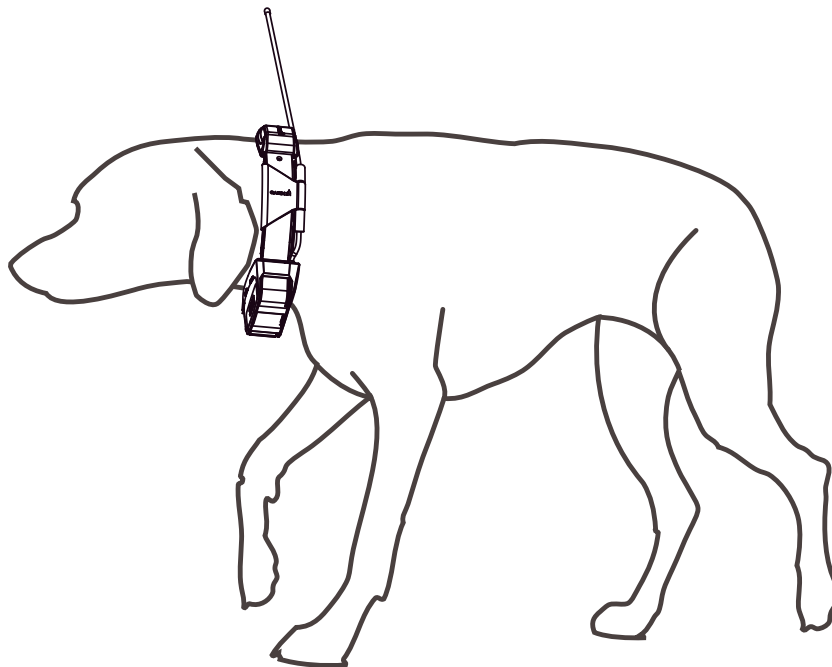
⚠ CAUTION

Do not spray the device or collar with harsh chemicals including but not limited to flea or tick spray. Always ensure that any flea or tick spray that is applied to the dog is completely dry before placing the collar on the dog. Small amounts of harsh chemicals can damage the plastic components and collar laminate.

Before you can put the collar on the dog, you must pair the handheld device and collar, and acquire satellite signals.

- 1 Position the collar with the communication antenna pointing up, the GPS antenna facing up, and the LEDs facing forward.
- 2 Place the collar around the middle of the dog's neck.
- 3 Tighten the strap so it is snug around the dog's neck.

NOTE: The collar should fit tightly and should not be able to rotate or slide on the dog's neck. The dog must be able to swallow food and water normally. You should observe your dog's behavior to verify the collar is not too tight.



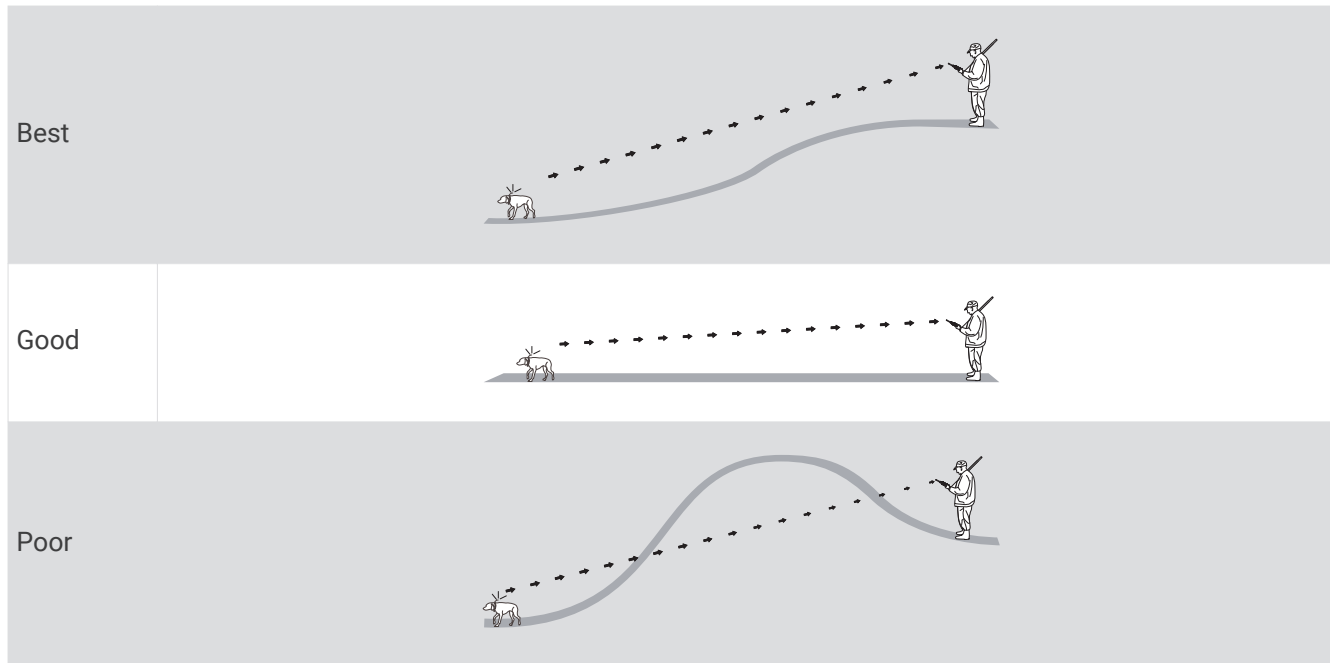
- 4 If the strap is too long, cut off the excess, leaving at least 7.62 cm (3 in.) to spare.

Dog Tracking

The handheld device allows you to track your dog or multiple dogs, using the tracking compass or map. The map displays your location and your dog's location and tracks. The compass pointer indicates the direction of the dog's current location.

Communication with the Collar

You should keep an unobstructed line of sight between your handheld device and the dog collar device to produce the best communication signal. To achieve the best line-of-sight conditions, you should move to the highest elevation point in your area (for example, on the top of a hill).



Entering Sleep Mode

NOTE: This feature is not available with all dog collar device models.

Before you can enter sleep mode, you must track your dog's location using the compatible dog collar device. When connected with the handheld device, the dog collar device can be put into sleep mode to conserve the battery when you are not actively tracking your dog.

- 1 Select **Dog List**.
- 2 Select a dog.
- 3 Select  > **Adjust Collar Sleep Mode** > **Sleep**.

Exiting Sleep Mode

NOTE: This feature is not available with all dog collar device models.

You can exit sleep mode on the compatible dog collar device while you are not actively tracking your dog.

- 1 Select **Dog List**.
- 2 Select a dog.
- 3 Select  > **Adjust Collar Sleep Mode** > **Wake**.

Device Information

Getting the Owner's Manual

You can get the latest owner's manual from the web.

- 1 Go to www.garmin.com/support.
- 2 Select **Manuals**.
- 3 Follow the on-screen instructions to select your product.

Updating the Dog Collar Device Software

Before you can update the dog collar device software, you must connect the dog collar device to a computer.

NOTE: PC only. Updating the software does not erase any of your data or settings.

- 1 Go to www.garmin.com/products/webupdater.
- 2 Follow the on-screen instructions.

VHF Radio Information

This product may be used only on specific radio frequencies, which vary depending on the country of use. The handheld device and the dog device allow the user to install a different antenna. Changing the antenna can result in improved radio performance and higher radiated power. You must not use the device with a third party antenna or an antenna not approved by Garmin®. Go to www.garmin.com/tracking-legal for details about the performance and radio frequency of this product, lawful accessories, and power limits for countries.

Securing the Antenna and Antenna Keeper to the Collar

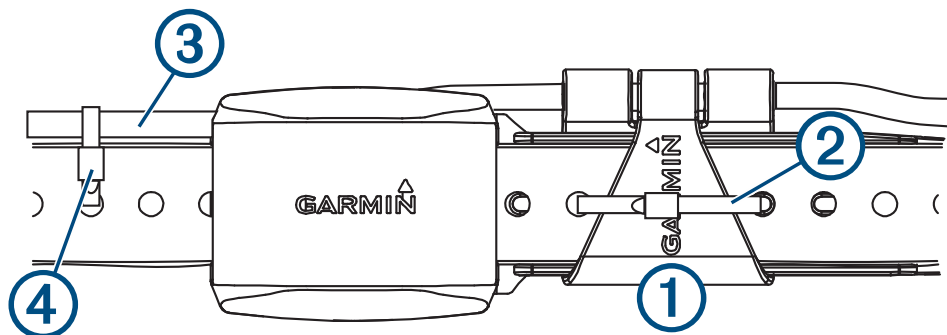
NOTICE

When using cable ties, ensure no sharp edges are in contact with your dog's skin.

You can secure the antenna and antenna keeper to the collar to optimize the fit of the dog collar device on your dog.

For maximum radio performance, the antenna should be pointed straight up when positioned on your dog. Depending on the size of your dog's neck, you may need to use cable ties to properly position the antenna.

- 1 Secure the antenna keeper ① to the collar with one of the provided cable ties ②.



- 2 Secure the antenna ③ to the collar with one of the provided cable ties ④.
- 3 Cut off the excess length from the cable ties.

Dog Collar Device Specifications

Battery type	Internal rechargeable lithium-ion battery, 361-00029-04
Operating temperature range	From -20° to 60°C (from -4° to 140°F)
Charging temperature range	From 0° to 40°C (from 32° to 104°F)
Wireless frequencies/protocols	152-169 MHz @ 24.2 dBm maximum, 2.4 GHz @ 6.9 dBm maximum
EU SAR	0.08 W/kg simultaneous torso, 0.08 W/kg simultaneous limb

Mini Dog Collar Device Specifications

Battery type	Rechargeable, replaceable lithium-ion, 361-00035-09
Operating temperature range	From -20° to 60°C (from -4° to 140°F)
Charging temperature range	From 5° to 40°C (from 41° to 104°F)
Wireless frequencies/protocols	155 MHz @ 32.77 dBm maximum, 2.4 GHz @ -1.7 dBm maximum

© 2022 Garmin Ltd. or its subsidiaries

Garmin®, the Garmin logo, Alpha®, and ANT+® are trademarks of Garmin Ltd. or its subsidiaries, registered in the USA and other countries. These trademarks may not be used without the express permission of Garmin.

Other trademarks and trade names are those of their respective owners.

