

GARMIN[®]

Sport PRO[™]



Owner's Manual

Visit [Gun Dog Supply.com](http://GunDogSupply.com)
Order a Garmin Sport Pro
See other Garmin Products

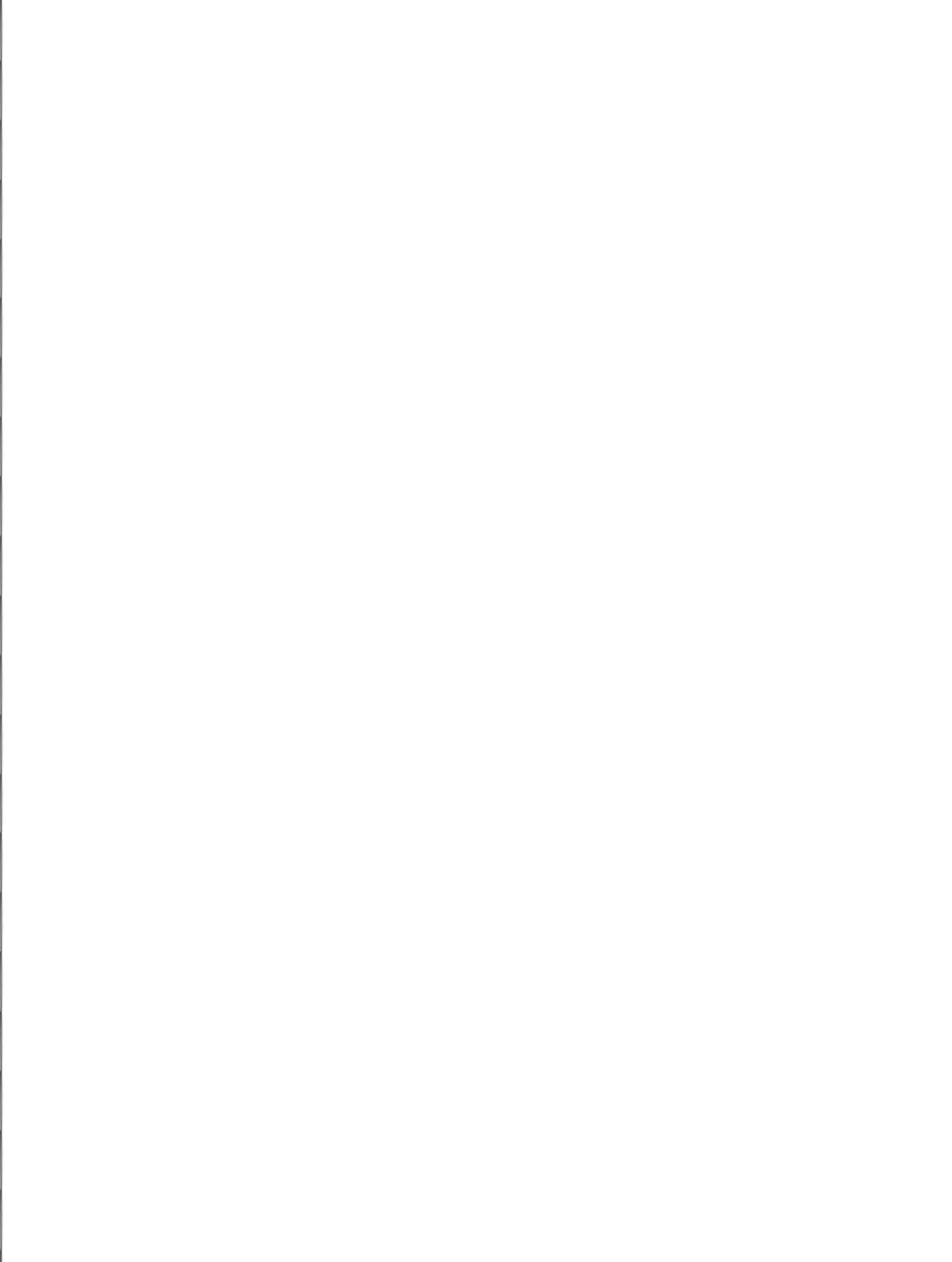
All rights reserved. Under the copyright laws, this manual may not be copied, in whole or in part, without the written consent of Garmin. Garmin reserves the right to change or improve its products and to make changes in the content of this manual without obligation to notify any person or organization of such changes or improvements. Go to www.garmin.com for current updates and supplemental information concerning the use of this product.

Garmin® and the Garmin logo are trademarks of Garmin Ltd. or its subsidiaries, registered in the USA and other countries. Sport PRO™ is a trademark of Garmin Ltd. or its subsidiaries. These trademarks may not be used without the express permission of Garmin.

CAN ICES-3(B)/NMB-3(B)

Table of Contents

Getting Started	1
Setting Up the Sport PRO System.....	1
Device Overviews.....	1
Sport PRO Handheld Device.....	1
Sport PRO Dog Device.....	1
Attaching the Dog Collar Device to the Collar Strap.....	1
Charging the Handheld Device.....	1
Charging the Dog Collar Device.....	1
Turning On the Dog Collar Device.....	2
Turning Off the Device.....	2
Dog Collar Device.....	2
Pairing a Dog Collar Device with the Handheld Device.....	2
Selecting a Dog Collar Device.....	2
Fitting the Collar on Your Dog.....	2
Selecting and Installing the Contact Points.....	2
Dog Training	3
Training Methods.....	3
Choosing the Correct Intensity Level.....	3
Changing the Intensity Level.....	3
BarkLimiter.....	3
Automatic Intensity.....	3
Status LED.....	3
Enabling the BarkLimiter Feature from the Handheld Device.....	3
Enabling the Independent BarkLimiter Feature from the Dog Collar Device.....	4
Bark Odometer™.....	4
Using the Light.....	4
Device Information	4
Handheld Device Specifications.....	4
Dog Collar Device Specifications.....	4
Sport PRO Battery Replacement Instructions.....	4
Sport PRO Handheld Device Components.....	4
Replacing the Handheld Device Battery.....	4
Sport PRO Dog Collar Device Components.....	5
Replacing the Dog Collar Device Battery.....	5
Registering Your Device.....	5
Getting More Information.....	5
Getting the Owner's Manual.....	5
Index	6



Getting Started

⚠ WARNING

See the *Important Safety and Product Information* guide in the product box for product warnings and other important information.

Setting Up the Sport PRO System

Before you can use the Sport PRO system, you must set up the devices.

- 1 Attach the dog collar device to the collar strap (*Attaching the Dog Collar Device to the Collar Strap*, page 1).
- 2 Charge the handheld device (*Charging the Handheld Device*, page 1).
- 3 Charge the dog collar device (*Charging the Dog Collar Device*, page 1).
- 4 Turn on the devices (*Turning On the Dog Collar Device*, page 2).
- 5 If necessary, pair the dog collar device with the handheld device (*Pairing a Dog Collar Device with the Handheld Device*, page 2).

Device Overviews

Sport PRO Handheld Device



①	Dog collar device toggle switch
②	Intensity level and operating mode dial
③	Continuous stimulation key BarkLimiter™ on key (AUX mode)
④	Momentary stimulation key BarkLimiter off key (AUX mode)
⑤	Vibration key Light on key (AUX mode)
⑥	Tone key Light off key (AUX mode)

Sport PRO Dog Device



①	Power key
②	Status LED
③	Lights
④	Contact points
⑤	Charging clip contacts

Attaching the Dog Collar Device to the Collar Strap

- 1 With the buckle ① facing outward, insert the end of the collar strap through the slot ② on the collar device.



- 2 Pull most of the collar strap through the two slots ③ on the dog device.
- 3 Insert the end of the collar strap through the slot ④ on the opposite side of the device.
- 4 Pull the strap until it is tight across the front of the device.

Charging the Handheld Device

NOTICE

To prevent corrosion, thoroughly dry the USB port, the weather cap, and the surrounding area before charging or connecting to a computer.

You should fully charge the battery before you use the device for the first time or whenever the battery is low. It is normal for the battery to discharge in approximately 7 to 10 weeks when the device is not in use. Charging a fully depleted battery takes about 2 hours.

NOTE: The device will not charge when it is outside the temperature range of 0° to 40°C (32° to 104°F).

- 1 Lift the weather cap ①.



- 2 Plug the small end of the power cable into the mini-USB port ② on the device.
- 3 Plug the other end of the power cable into a power source.
The status LED is solid red when the device is charging.
- 4 After the status LED turns solid green, unplug the power cable from the device.

Charging the Dog Collar Device

NOTICE

To prevent corrosion, thoroughly dry the USB port, the weather cap, and the surrounding area before charging or connecting to a computer.

You should fully charge the battery before you use the device for the first time or whenever the battery is low. It is normal for the battery to discharge in approximately 7 to 10 weeks when the device is not in use. Charging a fully depleted battery takes about 2 hours.

NOTE: The device will not charge when it is outside the temperature range of 0° to 40°C (32° to 104°F).

- 1 Snap the charging clip ① onto the device ②.



- 2 Plug the power cable into a power source.
The status LED is solid red when the collar is charging.
- 3 After the status LED turns solid green, remove the charging clip from the collar.

Turning On the Dog Collar Device

- To turn on the dog collar device in training mode, hold the power key until the status LED turns green and the collar beeps.
- To turn on the dog collar device in independent BarkLimiter mode, hold the power key until the status LED turns blue (*Enabling the Independent BarkLimiter Feature from the Dog Collar Device*, page 4).
- To turn on the dog collar device in pairing mode, hold the power key until the status LED turns yellow (*Pairing a Dog Collar Device with the Handheld Device*, page 2).

Turning Off the Device

- 1 On the dog collar device, hold the power key until the status LED turns red.
- 2 Release the power key.
The dog collar device beeps to confirm powering off.
NOTE: If the device is powered off in BarkLimiter mode, the LED flashes the number of corrected barks before powering off (*Bark Odometer™*, page 4).

Dog Collar Device

You can use up to 3 dog collar devices with a single handheld device.

Each dog collar device must be paired with the handheld device before it can be used. During the pairing process, each dog collar device is associated with a different color on the handheld device.

Pairing a Dog Collar Device with the Handheld Device

NOTE: If your handheld device and dog collar device were included in the same package, the devices are paired from the factory.

- 1 On the handheld device, move the toggle switch to choose the color associated with the dog collar device.
- 2 On the handheld device, set the intensity level to a numbered position.
- 3 On the dog collar device, hold the power key for about 5 seconds until the status LED turns yellow.
- 4 While the dog collar device status LED is yellow, select a training key on the handheld device.

The dog collar device beeps when the devices have paired successfully.

TIP: If the devices did not pair successfully, you should verify the batteries in both devices are fully charged and the intensity level is set to a numbered position.

Selecting a Dog Collar Device

Before you can select and control a dog collar device, you must pair the dog collar device with the handheld device (*Pairing a Dog Collar Device with the Handheld Device*, page 2).

Move the dog collar device toggle switch to select the color associated with a dog collar device.

The training keys control the dog collar device associated with the selected color.

Fitting the Collar on Your Dog

⚠ CAUTION

To prevent irritation from the contact points, remove the collar for at least eight hours out of every 24-hour period.

This device is not intended for human use. Do not attempt to use on any person.

Do not spray the device or collar with harsh chemicals including but not limited to flea or tick spray. Always ensure that any flea or tick spray that is applied to the dog is completely dry before placing the collar on the dog. Small amounts of harsh chemicals can damage the plastic components and collar laminate.

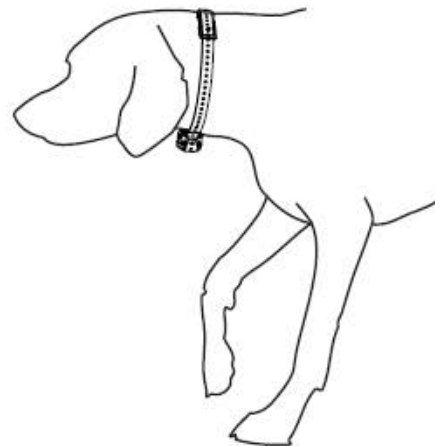
In order to effectively train the dog, the collar and device must fit the dog properly. If the collar is too loose or positioned incorrectly, stimulation may be inconsistent. This can delay or prevent successful training.

- 1 Position the device at the front of the dog's neck, with the status LED facing toward the dog's chin and the contact points against the throat.

TIP: For bark correction, the device contact points should be positioned near the dog's vocal cords. This location varies based on the breed of dog. If the device does not seem to detect the dog's barks, you should move the device closer to or farther from the dog's body to find the ideal location.

- 2 Tighten the strap so that it is very snug around the dog's neck, and fasten the buckle.

NOTE: The collar should fit tightly and should not be able to rotate or slide on the dog's neck. The dog must be able to swallow food and water normally. You should observe your dog's behavior to verify that the collar is not too tight.



- 3 Wiggle the device to work the contact points through the dog's coat.

NOTE: The contact points must have contact with the dog's skin to be effective.

- 4 If the strap is too long, cut off the excess, leaving at least 8 cm (3 in.) to spare.

TIP: You can mark the hole used to fasten the buckle for future reference.

Selecting and Installing the Contact Points

For best results, select the correct contact points based on your dog's coat.

- 1 Select the correct contact point length for your dog's coat type:
 - For dogs with thicker coats, use the longer contact points.
 - For dogs with shorter coats, use the shorter contact points.
- 2 If necessary, use the included wrench to remove the contact points.
- 3 Twist the contact points into the collar.
- 4 Tighten with the included wrench, but do not overtighten.

When you put the collar on the dog, make sure the contact points are tight against the neck.

Dog Training

You should research and investigate the training methods best suited for you, your dog, and your needs.

When used properly, the Sport PRO training system is an effective training tool to aid your dog in reaching its full potential. The use of the training system should be part of an overall training program.

Training Methods

Momentary stimulation: Applies a brief stimulation when you press the training key, regardless of how long the key is depressed.

Continuous stimulation: Applies stimulation to the dog the entire time you press the training key, for a maximum of 8 seconds. Your stimulations should typically be much shorter than 8 seconds.

Tone: Activates an audible tone instead of stimulation. A tone can be used as either a positive or negative training cue, depending on your training program.

Vibration: Applies vibration instead of stimulation to the dog the entire time you press the training key, for a maximum of 8 seconds. The effectiveness of vibration may vary based on the dog's temperament and experience.

Choosing the Correct Intensity Level

- 1 Set the intensity to the lowest level.
- 2 Select a training key.
- 3 Observe the dog for a reaction, such as a head shake, neck movement, or just a change in expression.

Sometimes dogs will vocalize due to the surprise of the electrical stimulation. If the dog vocalizes more than once, the intensity level is too high for beginning training.
- 4 If there is no reaction, increase the intensity level by one level until the dog has a slight but recognizable reaction to the stimulation.

The intensity level that causes a slight but recognizable reaction is your dog's baseline level for beginning collar training. You do not need to, and should not, apply this intensity selection test again.

After you begin training, the dog's performance guides your intensity selection. As the dog advances in training, you may need to change the level depending upon the training situation.

Changing the Intensity Level

You can select a different intensity level for each dog collar device.

- 1 Select a dog collar device (*Selecting a Dog Collar Device, page 2*).
- 2 Adjust the dial to increase or decrease the intensity level.

BarkLimiter

NOTICE

Before playing with your dog, you should remove the dog collar device or deactivate the BarkLimiter feature.

When using the BarkLimiter feature, you should remove all other collars, tags, or other items from your dog. These other items can cause the BarkLimiter feature to activate when the dog is not barking.

The BarkLimiter feature can correct your dog automatically when the dog barks. The device detects vibrations to distinguish between barking and other vocalizations. You can use these methods when correcting your dog with the BarkLimiter feature.

- Vibration instead of stimulation
- Fixed stimulation
- An automatic, gradual increase in stimulation intensity

Automatic Intensity

The device can set the stimulation intensity level automatically based on the barking behavior of the dog. The device starts at the lowest intensity level and increases the intensity level gradually until the dog stops barking. When the dog is quiet, the intensity decreases over time.

The automatic intensity feature is designed to eliminate excessive nuisance barking. To stop barks more immediately, you should set the intensity level manually.

Status LED

The status LED flashes briefly when the dog collar device detects motion or corrects a bark.

Green, yellow, or red flash	Motion was detected, and no correction was applied.
Blue flash	A bark was detected, and a correction was applied.

NOTE: A green, yellow, or red flash denotes how much charge is left in the dog device battery, ranging from high to low.

Enabling the BarkLimiter Feature from the Handheld Device

You can use your handheld device to enable BarkLimiter features. When you enable BarkLimiter mode from the handheld device, you can set the dog collar device to use auto-rise, vibration, or fixed stimulation levels.

- 1 Set the operating mode dial to **AUX**.
- 2 Select **BARKLIMITER ON**.

The green LED flashes.
- 3 While the green LED is flashing, select an option:
 - To set vibration, select **VIBE**.
 - To set a fixed stimulation level, set the dial to a stimulation level and select **CONTINUOUS**.
 - To set auto-rise, select **BARKLIMITER ON**.

A blue LED on the dog collar device indicates that it is in BarkLimiter mode.

Turning Off the BarkLimiter Feature from the Handheld Device

NOTE: If you enabled the BarkLimiter feature from the dog device, you cannot turn it off from the handheld device.

- 1 Set the dial to **AUX**.
- 2 Select **BARKLIMITER OFF**.

Overriding the BarkLimiter Feature

NOTE: If you enabled the BarkLimiter feature from the dog collar device, you cannot override it using the handheld device.

If you need to apply a quick stimulation when your dog collar device is in BarkLimiter mode, you can override the BarkLimiter feature using the handheld device. You can return to BarkLimiter

mode by enabling it from the handheld device ([Enabling the BarkLimiter Feature from the Handheld Device, page 3](#)).

Hold **CONTINUOUS**, **TONE**, or **VIBE** for 4 seconds.

The dog collar device returns to training mode.

Enabling the Independent BarkLimiter Feature from the Dog Collar Device

The dog collar device can operate independently as a bark correction device. You can enable the BarkLimiter feature in auto-rise mode directly from the dog collar device. This provides longer battery life than enabling the BarkLimiter feature from the handheld device.

NOTE: When using the device in this mode, the radio signal is disabled and you cannot control the dog collar device with the handheld device.

- 1 On the dog collar device, hold the power key until the LED flashes blue.
- 2 To return to training mode, turn off the dog collar device and turn it back on in training mode ([Turning On the Dog Collar Device, page 2](#)).

Bark Odometer™

When you turn off the dog collar device in independent BarkLimiter mode, the LED flashes red and green to report the number of times the device detected a bark since it was last turned on. This can help you track your dog's barking behavior.

Red flash	10 barks
Green flash	1 bark

For example, one red flash followed by four green flashes indicates the device detected 14 barks.

Zero flashes indicates the device detected zero barks.

Using the Light

You can use the light feature on your device to verify pairing, help locate your dog, and provide safety for your dog at night.

- 1 Select a dog collar device ([Selecting a Dog Collar Device, page 2](#)).
- 2 Set the dial to **AUX**.
- 3 Select  to turn the light on.
- 4 Select  to turn the light off.

Device Information

Handheld Device Specifications

Battery type	Rechargeable lithium-ion
Battery life	Up to 60 hr. of typical use
Operating temperature range	From -20° to 60°C (from -4° to 140°F)
Charging temperature range	From 0° to 40°C (from 32° to 104°F)
Storage temperature range (up to 1 mo.)	From -20° to 50°C (from -4° to 122°F)
Storage temperature range (up to 3 mo.)	From -20° to 35°C (from -4° to 95°F)
Water rating	IEC 60529 IPX7*

*The device withstands incidental exposure to water of up to 1 m for up to 30 min. For more information, go to [www.gamin.com/waterrating](#).

Dog Collar Device Specifications

Battery type	Rechargeable, replaceable lithium-ion
Battery life	Up to 60 hr. of typical use
Operating temperature range	From -20° to 60°C (from -4° to 140°F)
Charging temperature range	From 0° to 40°C (from 32° to 104°F)

Storage temperature range (up to 1 mo.)	From -20° to 50°C (from -4° to 122°F)
Storage temperature range (up to 3 mo.)	From -20° to 35°C (from -4° to 95°F)
Water rating	1 ATM*

*The device withstands pressure equivalent to a depth of 10 m. For more information, go to [www.garmin.com/waterrating](#).

Sport PRO Battery Replacement Instructions

⚠ WARNING

This product contains a lithium-ion battery. To prevent the possibility of personal injury or product damage caused by battery exposure to extreme heat, store the device out of direct sunlight.

Do not use a sharp object to remove batteries.

⚠ CAUTION

Contact your local waste disposal department to properly recycle the batteries.

Sport PRO Handheld Device Components



①	Security screws
②	Back plate
③	Battery
④	Battery connector
⑤	Front plate
⑥	Gasket

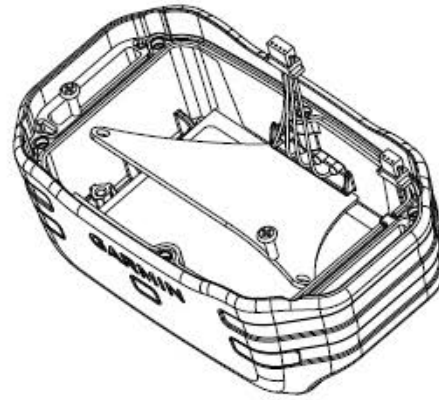
Replacing the Handheld Device Battery

Before you can replace the battery, you must remove all dirt, water, and debris from the device. You also need the security screwdriver included in the battery replacement kit.

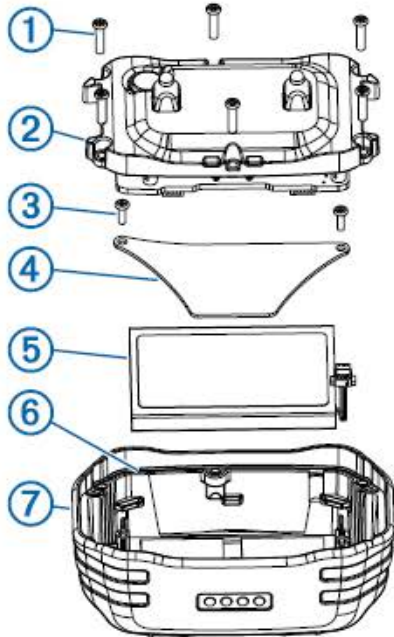
- 1 Remove the security screws from the back of the device.
- 2 Lift up the back plate.
- 3 Grip the battery connector wires close to the connector, and pull the connector perpendicular to the circuit board to disconnect the battery connector from the device.
- 4 Remove the old battery from the back plate, noting the orientation of the battery.
The battery fits tightly. It may be necessary to pry the battery out of the back plate using a non-sharp, non-metal object.
- 5 Install the new battery into the back plate with the label side up, using the same orientation as the old battery.
- 6 With the new battery, connect the battery connector to the device.

When properly installed, the connector plug snaps into the port.

- 7 Verify the gasket is not damaged and is completely seated in the groove on the front half of the device.
- 8 Verify the USB gasket is not damaged and is completely positioned around the USB opening on the back half of the device.
- 9 While ensuring the battery wires are not pinched, hold the back plate and the device firmly together, and replace all security screws without tightening them.
- 10 Verify the back plate and the device are aligned with no gaps.
- 11 Tighten the screws evenly.
- 12 Verify the gasket is not sticking out of the device.



Sport PRO Dog Collar Device Components



①	Security screws
②	Top plate
③	Battery plate screws
④	Battery plate
⑤	Battery
⑥	Gasket
⑦	Front enclosure

Replacing the Dog Collar Device Battery

Before you can replace the battery, you must remove all dirt, water, and debris from the device. You also need a small Phillips screwdriver and the security screwdriver included in the battery replacement kit.

- 1 Remove the six screws from the top plate, and remove the top plate.
- 2 Remove the two screws from the battery plate, and remove the battery plate.
- 3 Grip the battery connector wires close to the connector, and pull the connector parallel to the circuit board to disconnect the battery connector from the device.
- 4 Remove the battery.
The battery fits tightly. It may be necessary to pry the battery out of the back plate using a non-sharp, non-metal object.
- 5 Install the new battery into the front enclosure with the label side of the battery facing up, and the leading edge of the battery placed under the charging contact ledge of the device.
- 6 Replace the battery plate, and replace and tighten the two screws.

- 7 Verify the gasket is not damaged and is completely seated in the groove.
- 8 With the new battery, connect the battery connector to the device.
When properly installed, the connector plug snaps into the port.
- 9 Replace the front plate, and replace and tighten the six screws to secure the front plate.
- 10 Verify the gasket is not sticking out of the device.

Registering Your Device

Help us better support you by completing our online registration today.

- Go to <http://my.garmin.com>.
- Keep the original sales receipt, or a photocopy, in a safe place.

Getting More Information

You can find more information about this product on the Garmin® website.

- Go to www.garmin.com/outdoor.
- Go to <http://buy.garmin.com>, or contact your Garmin dealer for information about optional accessories and replacement parts.

Getting the Owner's Manual

You can get the most recent owner's manual from the web.

- 1 Go to www.garmin.com/manuals/sportpro.
- 2 View or download the full owner's manual in your preferred format.

Index

A

accessories 5

B

bark correction 3, 4

bark odometer 4

battery

charging 1

replacing 4, 5

C

charging

collar 1

handheld 1

collar

attaching strap 1

charging 1

contact points 1, 2

fitting 2

light 4

pairing 2

contact points 1, 2

D

device, registration 5

dog

status 3

training 2

training basics 3

training intensity levels 3

dog collar device 1, 2

I

intensity level

automatic 3

changing 3

choosing 3

K

keys 1

P

pairing, collar 2

power key 1, 2

product registration 5

R

registering the device 5

replacing the battery 4

S

specifications 4

T

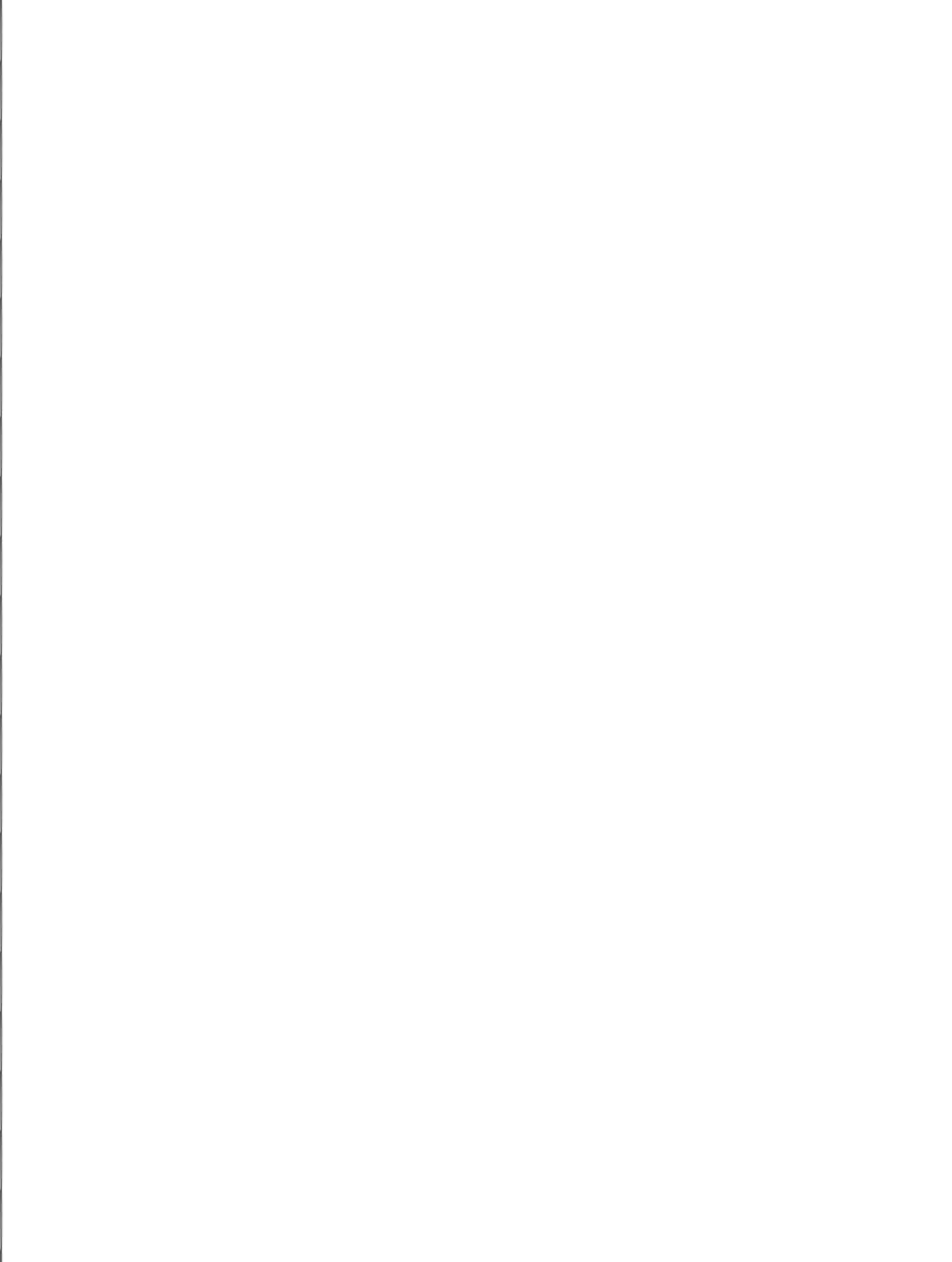
training

stimulation 3

tone 3

vibration 3

troubleshooting 5



www.garmin.com/support



+43 (0) 820 220230



+ 32 2 672 52 54



0800 770 4960



1-866-429-9296



+385 1 5508 272
+385 1 5508 271



+420 221 985466
+420 221 985465



+45 4810 5050



+ 358 9 6937 9758



+331 55 69 33 99



+ 39 02 36 699699



(+52) 001-855-792-7671



0800 0233937



+47 815 69 555



00800 4412 454
+44 2380 662 915



(+35) 1214 447 460



+386 4 27 92 500



0861 GARMIN (427 646)
+27 (0) 11 251 9999



+34 93 275 44 97



+46 7744 52020



+886 2 2642-9199 ext 2



0808 238 0000
+44 (0) 870 8501242



+49 (0) 89 858364880
zum Ortstarif - Mobilfunk
kann abweichen



913-397-8200
1-800-800-1020

