

CHAMELEON AV CABINETS

A - Single-Width Compartment

19.75"W x 19.5"D x 17.75"H

A1 - Subwoofer Compartment

19.75"W x 19.5"D x 17.75"H

B - Single-Width Compartment

19.75"W x 19.5"D x 27.75"H

C - Media Drawer

18.625"W x 18"D x 7.75"H
holds 75 DVD's and or 111 CD's

D - Single-Width Center Speaker / Multi-Functional Compartment

19.75"W x 19.5"D x 9"H

G - Double-Width Center Speaker / Multi-Functional Compartment

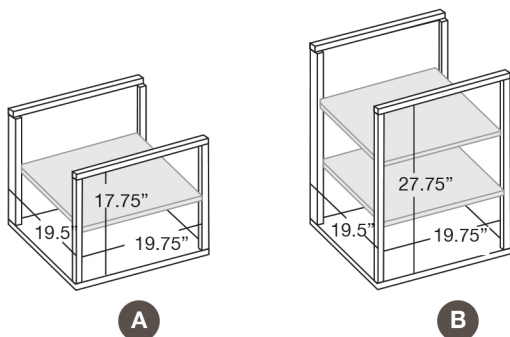
40.5"W x 19.5"D x 9"H

F - Triple-Width Center Speaker / Multi-Functional Compartment

61.25"W x 19.5"D x 9"H

H - Double-Width Center Speaker / Multi-Functional Compartment

40.5"W x 19.5"D x 8.15"H



AUDIO CABINETS



217



317



517



617

AUDIO VIDEO CABINETS



221

*TV Size: up to 50"



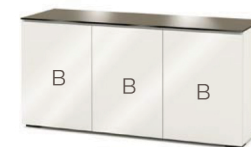
323

*TV Size: up to 50"



237

*TV Size: up to 75"



337

*TV Size: up to 75"



247

*TV Size: up to 90"



SNY245

Sony Ultra Short-Throw
Projector Credenza



347

*TV Size: up to 90"

SPEAKER INTEGRATED AV CABINETS - Includes Speaker Grill



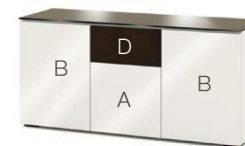
329

*TV Size: up to 50"



326

*TV Size: up to 75"



336

*TV Size: up to 75"



339

*TV Size: up to 75"



217

SUBWOOFER ENCLOSURE



245

*TV Size: up to 90"



345

*TV Size: up to 90"



CHAMELEON CORNER AV CABINETS



Accommodating smaller spaces, our Corner Cabinets open up possibilities in a variety of living spaces. Corner Units available in three configurations and all Chameleon Styles.



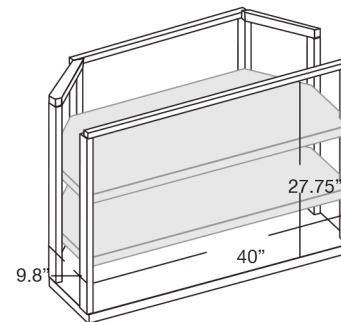
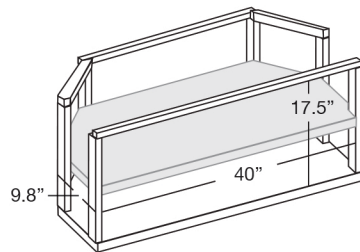
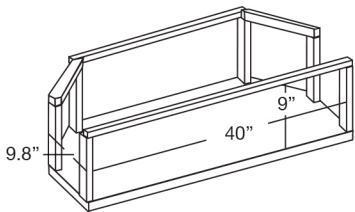
221 CORNER
Rec. TV Size: up to 50"



323 CORNER
Rec. TV Size: up to 50"

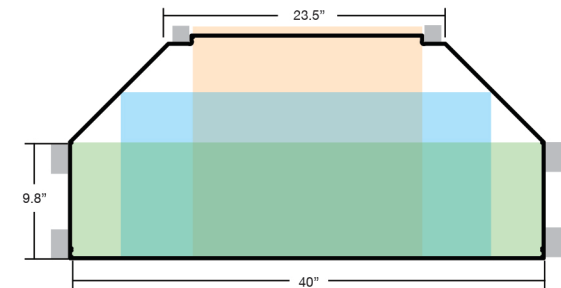


329 CORNER
Rec. TV Size: up to 50"
Includes Speaker Grill

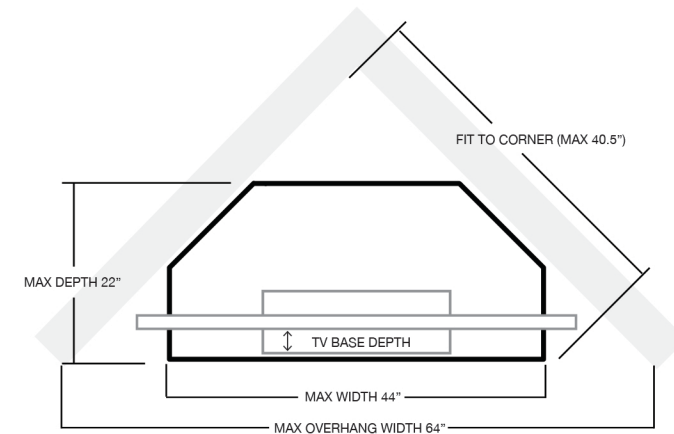


*CORNER INTERIOR

- 40" wide x 10" deep
- 32" wide x 14" deep
- 19" wide x 20" deep



*CORNER EXTERIOR



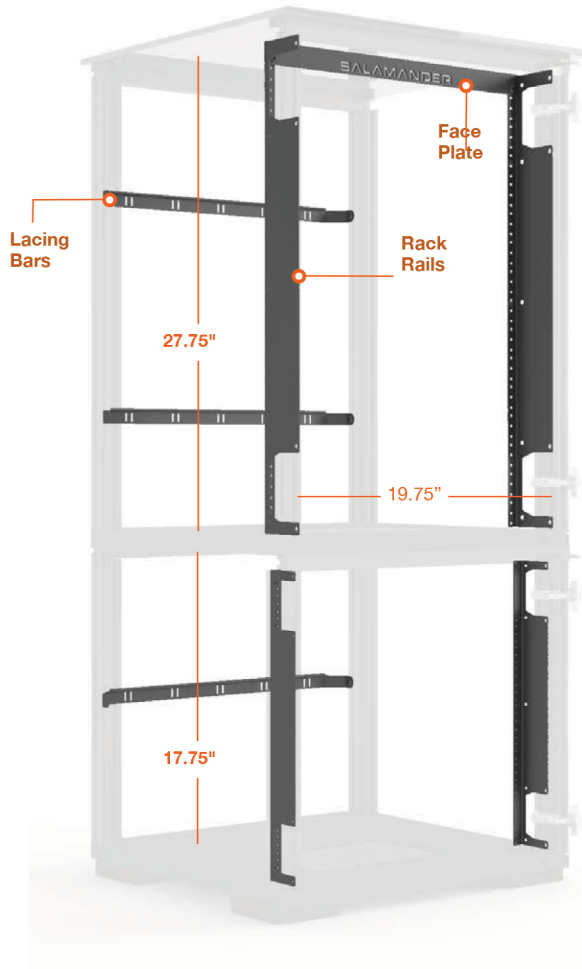
TV SIZING:

For every 1" of depth required by the TV base, subtract 1.8 from 64. This is the MAX TV width at the required depth. Note: Minor gains can be had by moving cabinet forward. This will cause a gap but will produce 1.8" in width per inch moved forward.



CHAMELEON PRO AUDIO RACKS

All rack mount cabinets are constructed of premium components with exceptional attention to detail, reliability and durability. Mounting rails are compatible with industry EIA 19" component standards and include lacing bars to help manage wires.



323RM
30 Rack Units
4 Lacing Bars



317RM
15 Rack Units
2 Lacing Bars



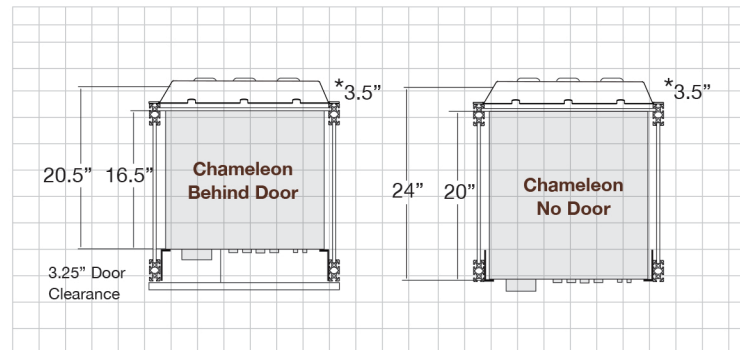
517RM
25 Rack Units
3 Lacing Bars



617RM
30 Rack Units
4 Lacing Bars

A2 19.75"W x 17.75"D x 17.75"H

B2 19.75"W x 19.5"D x 27.75"H



RETRO-FIT RAILS

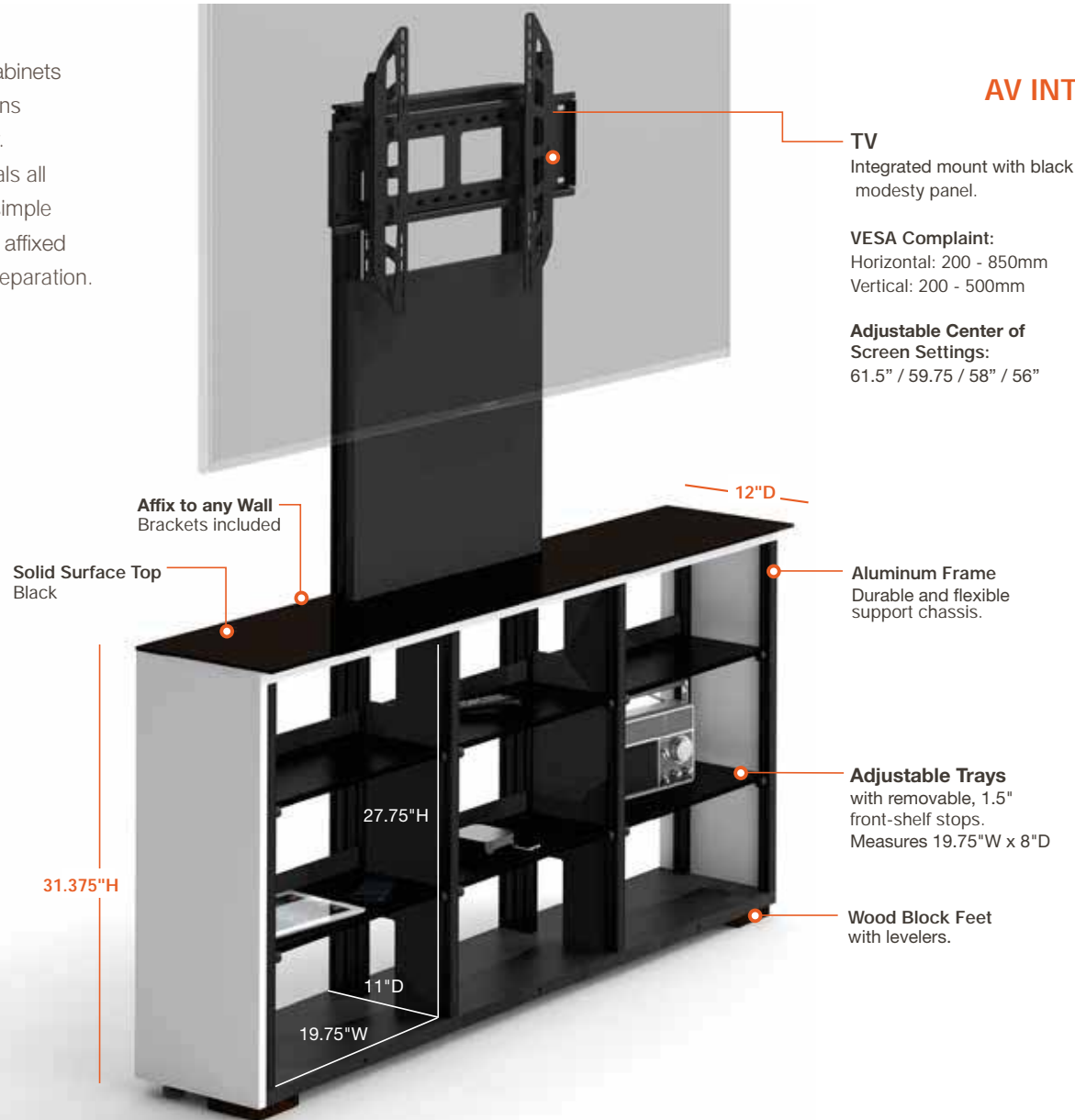
Choose a dedicated Pro Audio Rack or retro-fit rails (page 94) with adjustable shelves.





CHAMELEON LOW PROFILE AV CABINETS

Low-profile, shallow depth cabinets are sleek, streamlined solutions for supporting AV technology. Our innovative design conceals all equipment and cables, and simple installation allows them to be affixed to any wall without special preparation.



AV INTEGRATION

TV
Integrated mount with black modesty panel.

VESA Compliant:
Horizontal: 200 - 850mm
Vertical: 200 - 500mm

Adjustable Center of Screen Settings:
61.5" / 59.75" / 58" / 56"

Speaker
Model 345 features a center opening with a removable, grill designed to hide a speaker.



See our integrated Premium Soundbars (page 95)

3-U VERTICAL RACK

Optional Vertical Rack mounts (Page 99) to cabinet frame, for industry standard 19"



CHAMELEON LOW PROFILE AV CABINETS

Simple installation. Affix to wall with toggle bolts.

Interior Dimensions

A3 19.75"W x 11"D x 17.75"H

B3 19.75"W x 11"D x 27.75"H

G3 40.5"W x 11"D x 9"H



Low Profile 337
64.75"W x 31.375"H x 12"D



Low Profile 347
88"W x 31.375"H x 12"D



Low Profile 345
88"W x 31.375"H x 12"D
Speaker Compartment: 40"W x 11"D x 9"H



Low Profile 337 With TV Mount
64.75"W x 31.375"H x 12"D
Holds 50-70" TV's, 175 lbs (80kg)



Low Profile 347 With TV Mount
85.5"W x 31.375"H x 12"D
Holds 50-103" TV's, 175 lbs (80kg)



Low Profile 345 with TV Mount
85.5"W x 31.375"H x 12"D
Holds 50-103" TV's, 175 lbs (80kg)
Speaker Compartment: 40"W x 11"D x 9"H



CHAMELEON CUSTOM INTERIORS



STORING

Our personal electronics storage is a great all-in-one organizational space storing remotes and other media devices.

MULTI-FUNCTION

Solidly built, these multi-functional pull-out shelves are specifically designed to support turntables and other heavy equipment.

CHARGING

Conveniently charge and store your mobile devices in our pull-out trays. Now there really is a place for everything.

PRO AUDIO

Cabinets can be outfitted with Rack Mounting Rails that allows integration of professional equipment, conforming to EIA 19" rack standards.

CHAMELEON ACCESSORIES



All of our advanced accessories have been designed to enhance the functional or aesthetic aspects of our furniture systems. Each one has been built to our exacting standards for quality, reliability and durability to provide years of trouble-free operation.



Top Panel Surfaces
choose between tempered glass and solid surface in a variety of colors

Decorator Feet and Wheels
fine tune the style and function

Active Cooling
system protects delicate electronics



Power Conditioning
delivers better picture and sound

IR Repeater allows remote controls to operate through solid doors

Accent Light sets the mood and adds light just where you need it

