

DCI

UPFIT ^{THE} DENTAL OFFICE





THE DCI STORY

John and Janelle Spencer have personal experience in the dental industry. John was a top representative for a major dental supplier, and Janelle, a dental hygienist. They started DCI Inc. thirty-nine years ago to provide dentists with quality dental parts and accessories.

What began with a small home loan, an idea for an improved syringe, and a makeshift office in their living room, has evolved into DCI becoming the world's largest and most trusted dental parts manufacturer.

Today, DCI remains a family run business with strong growth, based on five simple words: **making our customer's life easier.**



FAMILY OWNED & OPERATED SINCE 1983

Jason, Amy and John Spencer

DCI is a family owned company spanning two generations, based in Newberg, Oregon, the heart of dental equipment manufacturing in America.



TABLE OF CONTENTS

4	Chair-Mounted Delivery Systems
12	Post Mount Lights
14	Stools
16	Carts
24	Side Delivery Systems
26	Arm-Mounted Delivery Systems
34	Cabinet-Mounted Delivery Systems
44	Compact Delivery Units
48	Panel-Mounted Units
52	OEM Replacements
55	Auxiliary QD Panel & Lab Kit
56	Dimensional Drawings & Illustrated Parts Breakdown

RELIANCE SWING MOUNT DELIVERY SYSTEMS



OPTIONS



4824/4924



5377



8489



5380



8489/8294

Configuration shown		
RS4000	Reliance Swing Mount Pole w/ Auto Dental Unit & Light Pole	\$5,020.00
RP4000	Reliance Post Mount LED Light	\$2,810.00
R4768	Reliance Light Post Assembly, 24", White	\$240.00
Step 5	Chair Mount Adapter	\$410.00
		\$8,480.00

- Upfit your delivery system with the ability to accommodate left and right-handed dentistry.

✓ - Standard Features □ - Choose Your Option

		Part Number	Retail Price	TOTAL
Step 1 Select Your Delivery System & Color				
Reliance Swing Mount Pole w/Auto Dental Unit & Accessory Pole Complete Steps 1 thru 5	<input type="checkbox"/>	RS4000	White	\$5,020.00
	<input type="checkbox"/>	RS4050	Gray	\$5,020.00
Reliance Swing Mount Pole w/Auto Dental Unit Complete Steps 1, 2, 3, 5	<input type="checkbox"/>	RS4001	White	\$4,380.00
	<input type="checkbox"/>	RS4051	Gray	\$4,380.00
Reliance Swing Mount Accessory Pole Only Complete Steps 1, 4, 5	<input type="checkbox"/>	RS4002	White	\$1,410.00
	<input type="checkbox"/>	RS4052	Gray	\$1,410.00

Standard Configuration



POSITION: 0 1 2 3

Step 2 Configure Your Control Head Options

	(All tubings are Sterling. If nothing is selected - highlighted positions will be used)	Part Number	Handpiece Positions					Retail Price	TOTAL
			0	1	2	3	4		
<input checked="" type="checkbox"/>	DCI Precision Comfort Syringe and tubing							Included	
<input checked="" type="checkbox"/>	HP Tubing 4 Hole Asepsis							Included	
<input type="checkbox"/>	ISO-C 6-Pin Deluxe 3 HP Illumination System (Includes a 9483 tubing)	9885						\$530.00	
<input type="checkbox"/>	ISO 5-Hole Deluxe 3 HP Illumination System (Includes a 9978 tubing)	9889						\$620.00	
<input type="checkbox"/>	ISO-C 6-Pin Standard 2 HP Illumination System (Includes a 9483 tubing)	9905						\$280.00	
<input type="checkbox"/>	ISO 5-Hole Standard 2 HP Illumination System (Includes a 9978 tubing)	9900						\$370.00	
<input type="checkbox"/>	ISO-C 6-Pin Economy HP Illumination System (Includes a 9483 tubing)	9876						\$230.00	
<input type="checkbox"/>	ISO 5-Hole Economy HP Illumination System (Includes a 9978 tubing)	9881						\$320.00	
<input type="checkbox"/>	Additional ISO-C 6-Pin Tubing Option for Illumination Systems	9483						\$174.00	
<input type="checkbox"/>	Additional ISO 5-Hole Tubing Option for Illumination Systems	9978						\$174.00	
<input type="checkbox"/>	Delete HP Position 3	4344						-\$40.00	
<input type="checkbox"/>	Add HP Position (Position 4) Includes Block, Water Valve, Holder & HP Tubing	4467 White/ 4468 Gray						\$200.00	
<input checked="" type="checkbox"/>	Stainless Steel Tray and Non-Skid Pad							Included	
<input checked="" type="checkbox"/>	Wet/Dry Foot Control							Included	
<input checked="" type="checkbox"/>	Handpiece Flush							Included	
<input type="checkbox"/>	Add scaler / chip air button to foot control	4346						\$80.00	

Step 3 Configure Your Utilities Options

		Part Number	Retail Price	TOTAL
Step 3A Configure Your Water System				
<input checked="" type="checkbox"/>	Self-Contained Water System w/ Quick Switch 1L Bottle		Included	
<input type="checkbox"/>	Delete Self Contained Water System and Bottle	4350	-\$260.00	
Step 3B Configure Your Junction Box and Utilities				
<input checked="" type="checkbox"/>	6' Umbilical Tubing		Included	
<input type="checkbox"/>	Additional Umbilical Length Per Foot, includes sheath tubing - Qty____	R24962A	\$50.00	
<input checked="" type="checkbox"/>	Asepsis Utility Center and Valves		Included	
<input type="checkbox"/>	Delete Asepsis Utility Center and Valves	4347	-\$310.00	

Step 4 Configure Your Accessory Pole

		Part Number	Retail Price	TOTAL
<input type="checkbox"/>	Reliance Post Mount LED Light (Requires Light Post R4768/R4766)	RP4000 White / RP4050 Gray	\$2,810.00	
<input type="checkbox"/>	Reliance Light Post Assembly, 24", w/ Adapter	R4768 White / R4766 Gray	\$240.00	
<input type="checkbox"/>	Telescoping Assistant's Arm, 4 Position, (Requires 5380 & 8489/8249)	5377 White / 5376 Gray	\$569.30	
<input type="checkbox"/>	Precision Comfort Assistant's Package, HVE, SE, SYR	5380	\$300.20	
<input type="checkbox"/>	Additional Extended Vacuum Valve and Tubing	R52892G	\$100.00	
<input type="checkbox"/>	Post Top Mount, 2"	8489 White / 8294 Gray	\$141.30	
<input type="checkbox"/>	Flat Panel Monitor Top Mount (In place of light)	4924 White / 4824 Gray	\$500.00	

Step 5 Select Your Chair Mount Adapter (Required)

		Part Number	Retail Price	TOTAL
<input type="checkbox"/>	To Fit A-dec® Cascade® 1040	R4489	\$410.00	
<input type="checkbox"/>	To Fit A-dec® Priority 1005 & 1010	R4498	\$410.00	
<input type="checkbox"/>	To Fit A-dec® Decade® 1020, 1021 & 1015	R9246	\$410.00	
<input type="checkbox"/>	To Fit Belmont Bel 20/50/Celebrity	R4492	\$410.00	
<input type="checkbox"/>	To Fit Belmont AcuTrac	R4501	\$410.00	
<input type="checkbox"/>	To Fit Marus™ DC1490, DC1690, DC1700, DC1702	R4491	\$410.00	
<input type="checkbox"/>	To Fit Pelton 1500, 1800, 2000, 3000 , 1700	R4489	\$410.00	
<input type="checkbox"/>	To Fit DCI Equipment 1235	R4491	\$410.00	
			Sub-total	
			QTY	
			TOTAL	

• Call Customer Service for Adapters not listed

A-dec®, Cascade®, Decade® and A-dec 500® are registered trademarks of A-dec, Inc. DCI has no affiliation with A-dec and A-dec has not authorized DCI replacement parts to be used on or in connection with A-dec® products.

RELIANCE POST MOUNT DELIVERY SYSTEMS



OPTIONS
<p>4855 / 4955</p>
<p>R52906W</p>
<p>R4042 / R4767</p>

Configuration shown		
RO4100	Reliance Over the Patient Dental Unit with Cuspidor & PMU	\$4,960.00
RP4000	Reliance Post Mount LED Light	\$2,810.00
R4042	Reliance Light Post Assembly, 30"	\$260.00
R52906W	Telescoping Assistant's Arm	\$640.00
Step 5	Chair Mount Adapter	\$410.00
		\$9,080.00

- Upfit your delivery system without the expense of a new chair.
- The Reliance Delivery System is designed to mount to most dental chairs.

✓ - Standard Features □ - Choose Your Option

		Part Number	Retail Price	TOTAL
Step 1 Select Your Delivery System & Color				
Reliance Over the Patient Dental Unit with Cuspidor & PMU	<input type="checkbox"/>	RO4100	White	\$4,960.00
	<input type="checkbox"/>	RO4150	Gray	\$4,960.00
Reliance Over the Patient Automatic Dental Unit with PMU	<input type="checkbox"/>	RO4000	White	\$4,430.00
	<input type="checkbox"/>	RO4050	Gray	\$4,430.00



POSITION: 0 1 2 3

Step 2 Configure Your Control Head Options

	(All tubings are Sterling. If nothing is selected - highlighted positions will be used)	Part Number	Handpiece Positions					Retail Price	TOTAL
			0	1	2	3	4		
<input checked="" type="checkbox"/>	DCI Precision Comfort Syringe and tubing							Included	
<input checked="" type="checkbox"/>	HP Tubing 4 Hole Asepsis							Included	
<input type="checkbox"/>	ISO-C 6-Pin Deluxe 3 HP Illumination System (Includes a 9483 tubing)	9885						\$530.00	
<input type="checkbox"/>	ISO 5-Hole Deluxe 3 HP Illumination System (Includes a 9978 tubing)	9889						\$620.00	
<input type="checkbox"/>	ISO-C 6-Pin Standard 2 HP Illumination System (Includes a 9483 tubing)	9905						\$280.00	
<input type="checkbox"/>	ISO 5-Hole Standard 2 HP Illumination System (Includes a 9978 tubing)	9900						\$370.00	
<input type="checkbox"/>	ISO-C 6-Pin Economy HP Illumination System (Includes a 9483 tubing)	9876						\$230.00	
<input type="checkbox"/>	ISO 5-Hole Economy HP Illumination System (Includes a 9978 tubing)	9881						\$320.00	
<input type="checkbox"/>	Additional ISO-C 6-Pin Tubing Option for Illumination Systems	9483						\$174.00	
<input type="checkbox"/>	Additional ISO 5-Hole Tubing Option for Illumination Systems	9978						\$174.00	
<input type="checkbox"/>	Delete HP Position 3	4344						-\$40.00	
<input type="checkbox"/>	Add HP Position (Position 4) Includes Block, Water Valve, Holder & HP Tubing	4467 White/ 4468 Gray						\$200.00	
<input checked="" type="checkbox"/>	Stainless Steel Tray and Non-Skid Pad							Included	
<input checked="" type="checkbox"/>	Wet/Dry Foot Control							Included	
<input checked="" type="checkbox"/>	Handpiece Flush							Included	
<input type="checkbox"/>	Add scaler / chip air button to foot control	4346						\$80.00	

Step 3 Configure Your Post Mounted Utility Center Options

		Part Number	Retail Price	TOTAL
Step 3A Assistant's Package				
<input type="checkbox"/>	Telescoping Arm w/ 4 Position Holder, 1 Syringe, 1 HVE & 1 SE	R52906W White / R52906G Gray	\$640.00	
<input type="checkbox"/>	Additional Extended Vacuum Valve and Tubing	R52892G	\$100.00	
<input type="checkbox"/>	Autoclavable Dry Oral Cup	5840	\$30.00	
Step 3B Water System				
<input checked="" type="checkbox"/>	Self Contained Water System with 2 Liter Bottle		Included	
<input type="checkbox"/>	Delete Self Contained Water System and Bottle	4350	-\$260.00	
<input checked="" type="checkbox"/>	Air QD and Water QD with flow control		Included	
Step 3C Junction Box and Utilities				
<input checked="" type="checkbox"/>	6' Umbilical Tubing		Included	
<input type="checkbox"/>	Additional Umbilical Length Per Foot, includes sheath tubing - Qty____	R24875A	\$50.00	
<input checked="" type="checkbox"/>	Asepsis Utility Center and Valves		Included	
<input type="checkbox"/>	Delete Asepsis Utility Center and Valves	4347	-\$310.00	

Step 4 Configure Your Light

		Part Number	Retail Price	TOTAL
<input type="checkbox"/>	No Light On Unit (Standard)		N/C	
<input type="checkbox"/>	Post Mount Reliance LED Light (Requires Light Post)	RP4000 White / RP4050 Gray	\$2,810.00	
<input type="checkbox"/>	Light Post With P&C Bushing , 30"	R4042 White / R4767 Gray	\$260.00	

Step 5 Select Chair Mount Adapter

		Part Number	Retail Price	TOTAL
<input type="checkbox"/>	To Fit A-dec® Cascade® 1040	8522	\$410.00	
<input type="checkbox"/>	To Fit A-dec® Priority 1005 & 1010	8515	\$410.00	
<input type="checkbox"/>	To Fit A-dec® Decade® 1020, 1021 & 1015	8500	\$410.00	
<input type="checkbox"/>	To Fit A-dec 500®	8538	\$410.00	
<input type="checkbox"/>	To Fit Belmont Bel 20,50/Celebrity/Weststar 2001 & 5000/LSM DC-1000 & C0H0	8493	\$410.00	
<input type="checkbox"/>	To Fit Belmont AcuTrac	8917	\$410.00	
<input type="checkbox"/>	To Fit DentalEZ® E3000	8552	\$410.00	
<input type="checkbox"/>	To Fit DentalEZ® Advantage E2000	8919	\$410.00	
<input type="checkbox"/>	To Fit Marus™ Pro/DCI Equipment	8561	\$410.00	
<input type="checkbox"/>	To Fit Pelton Spirit/Schein Empire	8918	\$410.00	
<input type="checkbox"/>	To Fit Royal	8497	\$410.00	

• Call Customer Service for Adapters not listed

Sub-total
QTY
TOTAL

A-dec®, Cascade®, Decade® and A-dec 500® are registered trademarks of A-dec, Inc. DCI has no affiliation with A-dec and A-dec has not authorized DCI replacement parts to be used on or in connection with A-dec® products.

RELIANCE OVER THE PATIENT DELIVERY SYSTEM ONLY



OPTIONS

RP4000

8921 / 8969

5377
5380

- Upfit your delivery system without the expense of a new chair.
- The Reliance Delivery System is designed to mount to most dental chairs.

✓ - Standard Features □ - Choose Your Option	Part Number	Retail Price	TOTAL
Step 1 Select Your Delivery System Color			
Reliance Over the Patient Dental Unit Only	<input type="checkbox"/> RO4001	White	\$3,660.00
	<input type="checkbox"/> RO4051	Gray	\$3,660.00

Standard Configuration



POSITION: 0 1 2 3

Step 2 Configure Your Control Head Options

	(All tubings are Sterling. If nothing is selected - highlighted positions will be used)	Part Number	Handpiece Positions					Retail Price	TOTAL
			0	1	2	3	4		
<input checked="" type="checkbox"/>	DCI Precision Comfort Syringe and tubing							Included	
<input checked="" type="checkbox"/>	HP Tubing 4 Hole Asepsis							Included	
<input type="checkbox"/>	ISO-C 6-Pin Deluxe 3 HP Illumination System (Includes a 9483 tubing)	9885						\$530.00	
<input type="checkbox"/>	ISO 5-Hole Deluxe 3 HP Illumination System (Includes a 9978 tubing)	9889						\$620.00	
<input type="checkbox"/>	ISO-C 6-Pin Standard 2 HP Illumination System (Includes a 9483 tubing)	9905						\$280.00	
<input type="checkbox"/>	ISO 5-Hole Standard 2 HP Illumination System (Includes a 9978 tubing)	9900						\$370.00	
<input type="checkbox"/>	ISO-C 6-Pin Economy HP Illumination System (Includes a 9483 tubing)	9876						\$230.00	
<input type="checkbox"/>	ISO 5-Hole Economy HP Illumination System (Includes a 9978 tubing)	9881						\$320.00	
<input type="checkbox"/>	Additional ISO-C 6-Pin Tubing Option for Illumination Systems	9483						\$174.00	
<input type="checkbox"/>	Additional ISO 5-Hole Tubing Option for Illumination Systems	9978						\$174.00	
<input type="checkbox"/>	Delete HP Position 3	4344						-\$40.00	
<input type="checkbox"/>	Add HP Position (Position 4) Includes Block, Water Valve, Holder & HP Tubing	4467 White/ 4468 Gray						\$200.00	
<input checked="" type="checkbox"/>	Stainless Steel Tray and Non-Skid Pad							Included	
<input checked="" type="checkbox"/>	Wet/Dry Foot Control							Included	
<input checked="" type="checkbox"/>	Handpiece Flush							Included	
<input type="checkbox"/>	Add scaler / chip air button to foot control	4346						\$80.00	

Step 3 Configure Your Unit Options

		Part Number	Retail Price	TOTAL
<input checked="" type="checkbox"/>	Self-Contained Quick-Switch Water System w/ 1 Liter Bottle		Included	
<input type="checkbox"/>	Telescoping Assistant's Arm, 4 Position (Requires 5380)	5377 White/ 5376 Gray	\$569.30	
<input type="checkbox"/>	Precision Comfort Assistant's Package, HVE, SE, SYR	5380	\$300.20	
<input type="checkbox"/>	Additional Extended Vacuum Valve and Tubing	R52892G	\$100.00	
<input type="checkbox"/>	Wall & Cabinet Mount Assistant Instrumentation Premium Precision Comfort	5432	\$590.00	

Step 4 Configure Your Light

		Part Number	Retail Price	TOTAL
<input type="checkbox"/>	No Light On Unit (Standard)		N/C	
<input type="checkbox"/>	Post Mount Reliance LED Light (Requires Light Post)	RP4000 White / RP4050 Gray	\$2,810.00	
<input type="checkbox"/>	Light Post Extension, 24", Pelton & Crane Bushing	8921 White / 8969 Gray	\$240.00	

Step 5 Select Chair Mount Adapter

		Part Number	Retail Price	TOTAL
<input type="checkbox"/>	To Fit A-dec® Cascade® 1040	8522	\$410.00	
<input type="checkbox"/>	To Fit A-dec® Priority 1005 & 1010	8515	\$410.00	
<input type="checkbox"/>	To Fit A-dec® Decade® 1020, 1021 & 1015	8500	\$410.00	
<input type="checkbox"/>	To Fit A-dec 500®	8538	\$410.00	
<input type="checkbox"/>	To Fit Belmont Bel 20,50/Celebrity/Westar 2001 & 5000/LSM DC-1000 & C0H0	8493	\$410.00	
<input type="checkbox"/>	To Fit Belmont AcuTrac	8917	\$410.00	
<input type="checkbox"/>	To Fit DentalEZ® E3000	8552	\$410.00	
<input type="checkbox"/>	To Fit DentalEZ® Advantage E2000	8919	\$410.00	
<input type="checkbox"/>	To Fit Marus™ Pro/DCI Equipment	8561	\$410.00	
<input type="checkbox"/>	To Fit Pelton Spirit/Schein Empire	8918	\$410.00	
<input type="checkbox"/>	To Fit Royal	8497	\$410.00	




• Call Customer Service for Adapters not listed

Sub-total
QTY
TOTAL

A-dec®, Cascade®, Decade® and A-dec 500® are registered trademarks of A-dec, Inc. DCI has no affiliation with A-dec and A-dec has not authorized DCI replacement parts to be used on or in connection with A-dec® products.

RELIANCE POST MOUNT UTILITY (PMU)



OPTIONS
 <p>4824/4924</p>
 <p>R52906W</p>
 <p>R4042 / R4767</p>

Configuration shown		
RO4102	Reliance Post Mount Utilities	\$2,640.00
RP4000	Reliance Post Mount LED Light	\$2,810.00
R4042	Reliance Light Post Assembly, 30"	\$260.00
Step 5	Chair Mount Adapter	\$410.00
		\$6,120.00

- Upfit your delivery system without the expense of a new chair.
- The Reliance Delivery System is designed to mount to most dental chairs.

✓ - Standard Features □ - Choose Your Option

		Part Number	Retail Price	TOTAL
Step 1 Select Your Delivery System & Color				
Reliance Post Mount Utilities, PMU w/Cuspidor	<input type="checkbox"/>	RO4102	White	\$2,640.00
	<input type="checkbox"/>	RO4152	Gray	\$2,640.00
Reliance Post Mount Utilities, PMU, No Cuspidor	<input type="checkbox"/>	RO4002	White	\$2,170.00
	<input type="checkbox"/>	RO4052	Gray	\$2,170.00

Step 2 Configure Your Post Mounted Utility Center Options

		Part Number	Retail Price	TOTAL
Step 2A Assistant's Package				
<input type="checkbox"/>	Telescoping Arm w/ 4 Position Holder, 1 Syringe, 1 HVE & 1 SE	R52906W White / R52906G Gray	\$640.00	
<input type="checkbox"/>	Additional Extended Vacuum Valve and Tubing	R52892G	\$100.00	
<input type="checkbox"/>	Autoclavable Dry Oral Cup	5840	\$30.00	
Step 2B Water System				
<input checked="" type="checkbox"/>	Self Contained Water System with 2 Liter Bottle		Included	
<input type="checkbox"/>	Delete Self Contained Water System and Bottle	4350	-\$260.00	
<input checked="" type="checkbox"/>	Air QD and Water QD with flow control		Included	
Step 2C Junction Box and Utilities (Not available on DO4001 and DO4051)				
<input checked="" type="checkbox"/>	6' Umbilical Tubing		Included	
<input type="checkbox"/>	Additional Umbilical Length Per Foot, includes sheath tubing - Qty____	R24875A	\$50.00	
<input checked="" type="checkbox"/>	Asepsis Utility Center and Valves		Included	
<input type="checkbox"/>	Delete Asepsis Utility Center and Valves	4347	-\$310.00	

Step 3 Configure Your Light

		Part Number	Retail Price	TOTAL
<input type="checkbox"/>	No Light On Unit (Standard)		N/C	
<input type="checkbox"/>	Post Mount Reliance LED Light (Requires Light Post)	RP4000 White / RP4050 Gray	\$2,810.00	
<input type="checkbox"/>	Light Post With P&C Bushing , 30"	R4042 White / R4767 Gray	\$260.00	

Step 4 Select Chair Mount Adapter

		Part Number	Retail Price	TOTAL
<input type="checkbox"/>	To Fit A-dec® Cascade® 1040	8522	\$410.00	
<input type="checkbox"/>	To Fit A-dec® Priority 1005 & 1010	8515	\$410.00	
<input type="checkbox"/>	To Fit A-dec® Decade® 1020, 1021 & 1015	8500	\$410.00	
<input type="checkbox"/>	To Fit A-dec 500®	8538	\$410.00	
<input type="checkbox"/>	To Fit Belmont Bel 20,50/Celebrity/Westar 2001 & 5000/LSM DC-1000 & C0H0	8493	\$410.00	
<input type="checkbox"/>	To Fit Belmont AcuTrac	8917	\$410.00	
<input type="checkbox"/>	To Fit DentalEZ® E3000	8552	\$410.00	
<input type="checkbox"/>	To Fit DentalEZ® Advantage E2000	8919	\$410.00	
<input type="checkbox"/>	To Fit Marus™ Pro/DCI Equipment	8561	\$410.00	
<input type="checkbox"/>	To Fit Pelton Spirit/Schein Empire	8918	\$410.00	
<input type="checkbox"/>	To Fit Royal	8497	\$410.00	
			Sub-total	
			QTY	
			TOTAL	

• Call Customer Service for Adapters not listed

A-dec®, Cascade®, Decade® and A-dec 500® are registered trademarks of A-dec, Inc. DCI has no affiliation with A-dec and A-dec has not authorized DCI replacement parts to be used on or in connection with A-dec® products.

RELIANCE POST MOUNT LIGHT



FEATURES	RELIANCE
LED Technology	X
3rd Axis Head Rotation	X
Reflective Technology	X
Dual Touch Controls	X
Offered in Gray or White	X
3" X 6" Light Pattern	X
5000K Color Temperature	X



RP4000

- LED Lamp-24Volt, 10 Watts
- Input Voltage - 115V, 50Hz
- Light Intensity (Lux), 35,000 to 17,500
- Focal Length - 27"

✓ - Standard Features - Choose Your Option

Part Number	Color	Retail Price	TOTAL
-------------	-------	--------------	-------

Step 1 Choose Your Light Color

Reliance Post Mount Light, 120 Volt	<input type="checkbox"/>	RP4000	White	\$2,810.00	
	<input type="checkbox"/>	RP4050	Gray	\$2,810.00	

Step 2 Configure Your Light Post

<input type="checkbox"/>	Post 48" Long Powdercoat w/ P&C Bushing	8482 White / 4049 Gray	\$267.10	
<input type="checkbox"/>	Light Post Extension, 24", P&C Bushing and Clamp	8921 White / 8969 Gray	\$240.00	
<input type="checkbox"/>	Light Post Extension, 30", P&C Bushing and Clamp	8463 White / 8986 Gray	\$260.00	
				Sub-total
				QTY
				TOTAL



8482/4049



8463/8986



8921/8969

RELIANCE DENTAL STOOLS



✓ - Standard Features □ - Choose Your Option

		Part Number	Retail Price	TOTAL
Step 1 Select Your Stool				
<input type="checkbox"/>	Doctor's Stool (Cylinder height range 19" to 24")	SDR051	\$820.00	
<input type="checkbox"/>	Assistant's Stool with Body Support and Footring (Cylinder height range 23" to 29 1/2")	SAR051	\$1,000.00	

Step 2 Select Your Upholstery			
<input type="checkbox"/>	Naugasoft Upholstery	54633	N/C
<input type="checkbox"/>	Ultraleather® Upholstery	54634	\$120.00
<input type="checkbox"/>	Non-Standard Upholstery Upcharge per Stool*	54646	\$50.00

*Allow for an additional 2 weeks above standard lead time for all Non-Standard Upholstery. Manufacturer part number required. Contact Customer Service to confirm availability.

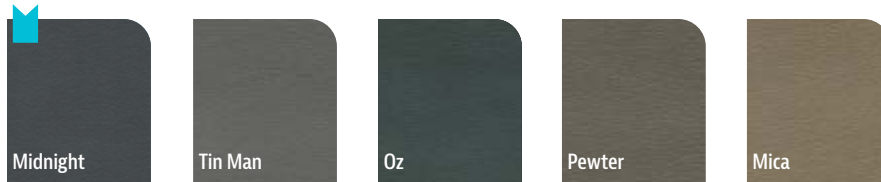
Premium Ultraleather® Upholstery



Upcharge applies \$120 per Stool



PEARLIZED



Naugasoft Upholstery

Naugasoft included in price for Stools



RELIANCE AUTOMATIC 3 HP CART SYSTEMS



Our dental cart systems are not only sturdy, but they're also stylish and affordable, perfect to upfit any modern dental practice.

- Sturdy all-metal control head w/ smooth lines for easy cleaning
- Automatic control for 3 handpieces
- Stainless Steel tray (PN 8013) & Non-Skid Pad
- Precision Comfort® Syringe
- Wet/Dry foot control
- 1 1/4" Umbilical, 7 ft.
- Utility center w/ white box
- Variety of tubing color and type to choose from
- Precision Comfort Assistant's Package, 2 HVE & 1 SE (R4540/4542 only)

✓ - Standard Features - Choose Your Option

		Part Number	Retail Price	TOTAL
Step 1 Select Your Cart System				
Reliance Automatic Control Cart for 3 HP	<input type="checkbox"/>	R4511	White	\$3,680.00
Reliance Automatic Control Cart for 3 HP w/ Premium Vacuum	<input type="checkbox"/>	R4540	White	\$4,050.00
Reliance Automatic Control Cart for 3 HP, Single Air Source	<input type="checkbox"/>	R4523	White	\$2,360.00
Reliance Automatic Control Cart for 3 HP w/ Standard Vacuum	<input type="checkbox"/>	4542	White	\$4,050.00



R4511



R4540



R4523



4542

Step 2 Configure Your Control Head Options

	(All tubings are Sterling. If nothing is selected - highlighted positions will be used)	Part Number	Handpiece Positions					Retail Price	TOTAL
			0	1	2	3	4		
<input checked="" type="checkbox"/>	DCI Precision Comfort Syringe and tubing							Included	
<input checked="" type="checkbox"/>	HP Tubing 4 Hole Asepsis							Included	
<input type="checkbox"/>	ISO-C 6-Pin Deluxe 3 HP Illumination System (Includes a 9483 tubing)	9885						\$530.00	
<input type="checkbox"/>	ISO 5-Hole Deluxe 3 HP Illumination System (Includes a 9978 tubing)	9889						\$620.00	
<input type="checkbox"/>	ISO-C 6-Pin Standard 2 HP Illumination System (Includes a 9483 tubing)	9905						\$280.00	
<input type="checkbox"/>	ISO 5-Hole Standard 2 HP Illumination System (Includes a 9978 tubing)	9900						\$370.00	
<input type="checkbox"/>	ISO-C 6-Pin Economy HP Illumination System (Includes a 9483 tubing)	9876						\$230.00	
<input type="checkbox"/>	ISO 5-Hole Economy HP Illumination System (Includes a 9978 tubing)	9881						\$320.00	
<input type="checkbox"/>	Additional ISO-C 6-Pin Tubing Option for Illumination Systems	9483						\$174.00	
<input type="checkbox"/>	Additional ISO 5-Hole Tubing Option for Illumination Systems	9978						\$174.00	
<input type="checkbox"/>	Delete HP Position 3	4344						-\$40.00	
<input type="checkbox"/>	Add HP Position (Position 4) Includes Block, Water Valve, Holder & HP Tubing	4467 White						\$200.00	
<input checked="" type="checkbox"/>	Stainless Steel Tray and Non-Skid Pad							Included	
<input checked="" type="checkbox"/>	Wet/Dry Foot Control							Included	
<input type="checkbox"/>	Add scaler / chip air button to foot control	4346						\$80.00	
<input checked="" type="checkbox"/>	Self contained water system							Included	
<input type="checkbox"/>	Additional umbilical length per foot includes sheath tubing qty_	R24962A						\$30.00	
<input checked="" type="checkbox"/>	Asepsis Utility center and valves (Not included for R4523 or 4542)							Included	
<input type="checkbox"/>	Converter & Adapter, Water Bottle Quick-Switch Kit	8941						\$74.10	
<input type="checkbox"/>	2 Liter Bottle w/ Cap & Pick-Up Tube	8164						\$12.70	



9885 / 9889



9905 / 9900



9876 / 9881

RELIANCE MANUAL 2 HP CART SYSTEMS



The Reliance Automatic 2 HP Cart system features smooth lines for easy cleaning at an affordable price point.

- Sturdy all-metal control head w/ smooth lines for easy cleaning
- Manual control for 2 handpieces
- Stainless Steel tray (PN 8013) & Non-Skid Pad
- Precision Comfort® Syringe
- 1 1/4" Umbilical, 7 ft.
- Utility center w/ white box
- Precision Comfort® Assistant's Package, 2 HVE & 1 SE (R4240 only)

✓ - Standard Features - Choose Your Option

		Part Number	Retail Price	TOTAL
Step 1 Select Your Cart System				
Reliance Manual Control Cart for 2 HP	<input type="checkbox"/>	R4245	White	\$2,050.00
Reliance Manual Control Cart for 2 HP w/Premium Vacuum	<input type="checkbox"/>	R4240	White	\$2,390.00



R4245



R4240

Step 2 Configure Your Control Head Options

	(All tubings are Sterling. If nothing is selected - highlighted positions will be used)	Part Number	Handpiece Positions					Retail Price	TOTAL
			0	1	2	3	4		
<input checked="" type="checkbox"/>	DCI Precision Comfort Syringe and tubing							Included	
<input checked="" type="checkbox"/>	HP Tubing 4 Hole Asepsis							Included	
<input type="checkbox"/>	ISO-C 6-Pin Deluxe 3 HP Illumination System (Includes a 9483 tubing)	9885						\$530.00	
<input type="checkbox"/>	ISO 5-Hole Deluxe 3 HP Illumination System (Includes a 9978 tubing)	9889						\$620.00	
<input type="checkbox"/>	ISO-C 6-Pin Standard 2 HP Illumination System (Includes a 9483 tubing)	9905						\$280.00	
<input type="checkbox"/>	ISO 5-Hole Standard 2 HP Illumination System (Includes a 9978 tubing)	9900						\$370.00	
<input type="checkbox"/>	ISO-C 6-Pin Economy HP Illumination System (Includes a 9483 tubing)	9876						\$230.00	
<input type="checkbox"/>	ISO 5-Hole Economy HP Illumination System (Includes a 9978 tubing)	9881						\$320.00	
<input type="checkbox"/>	Additional ISO-C 6-Pin Tubing Option for Illumination Systems	9483						\$174.00	
<input type="checkbox"/>	Additional ISO 5-Hole Tubing Option for Illumination Systems	9978						\$174.00	
<input type="checkbox"/>	Delete HP Position 3	4344						-\$40.00	
<input type="checkbox"/>	Add HP Position (Position 4) Includes Block, Water Valve, Holder & HP Tubing	4467 White						\$200.00	
<input checked="" type="checkbox"/>	Stainless Steel Tray and Non-Skid Pad							Included	
<input checked="" type="checkbox"/>	Standard Foot Control							Included	
<input type="checkbox"/>	Add scaler / chip air button to foot control	4346						\$80.00	
<input checked="" type="checkbox"/>	Self contained water system							Included	
<input type="checkbox"/>	Additional umbilical length per foot includes sheath tubing qty_	R24962A						\$30.00	
<input checked="" type="checkbox"/>	Asepsis Utility center and valves							Included	
<input type="checkbox"/>	Converter & Adapter, Water Bottle Quick-Switch Kit	8941						\$74.10	
<input type="checkbox"/>	2 Liter Bottle w/ Cap & Pick-Up Tube	8164						\$12.70	



9885 / 9889



9905 / 9900



9876 / 9881

RELIANCE

OPERATORY SUPPORT CARTS: U FRAME



- Operator Support Cart w/ U-Frame
- Solid 1" white laminate top w/ gray edge banding
- 19" x 22" work surface
- Precision Comfort® Assistant's Package, 1 SYR, 2 HVE & 1 SE (R4220 only)

✓ - Standard Features - Choose Your Option

		Part Number	Retail Price	TOTAL
Step 1 Select Your Cart System				
Work Surface w/ U-Frame Assy	<input type="checkbox"/>	R4227	White	\$1,440.00
Operator Support Cart w/Assistant's Package U-Frame	<input type="checkbox"/>	R4220	White	\$2,150.00



R4227



R4220

Step 2 Configure Your Cart Options

		Part Number	Retail Price	TOTAL
<input type="checkbox"/>	Storage Well w/ Organizers	8400	\$300.00	
<input type="checkbox"/>	Utility Center, Premium w/ Frame & Cover, White	8329	\$486.50	

Step 3 Configure Your Doctor's Delivery

		Part Number	Retail Price	TOTAL
Step 3A Choose Doctor's Delivery				
<input type="checkbox"/>	Reliance Cabinet Mount Automatic Control Unit for 3 HP (requires 4289, 4337 & 4336)	4470	\$967.80	
<input type="checkbox"/>	Reliance Cabinet Mount Manual Control Unit for 2 HP, 2 Wet (requires 4289, 4337 & 4336)	4521	\$724.50	
Step 3B Required with Doctor's Delivery				
<input type="checkbox"/>	Pin Mount Bracket Kit, White	4289	\$67.30	
<input type="checkbox"/>	Rigid Arm, 6", White	8337	\$64.20	
<input type="checkbox"/>	Control Mount Bracket, White	8336	\$107.70	
<input type="checkbox"/>	Additional Extended Vacuum Valve and Tubing	R52892G	\$100.00	



8400



4470



4289 / 8337 / 8336

RELIANCE

OPERATORY SUPPORT CARTS: H FRAME



- Operator Support Cart w/ U-Frame
- Solid 1" white laminate top w/ gray edge banding
- 19" x 22" work surface
- Precision Comfort® Assistant's Package, 1 SYR, 2 HVE & 1 SE (R4220 only)

✓ - Standard Features - Choose Your Option

		Part Number	Retail Price	TOTAL
Step 1 Select Your Cart System				
Work Surface w/ H-Frame Assy	<input type="checkbox"/>	R4228	White	\$1,440.00
Operator Support Cart w/ Assistant's Package H-Frame	<input type="checkbox"/>	R4221	White	\$2,780.00



R4228



R4221

Step 2 Configure Your Cart Options

		Part Number	Retail Price	TOTAL
<input type="checkbox"/>	Asepsis Self-Contained Deluxe QS Single Water System w/ 2 Liter Bottle & 2" Clamp (Included with R4221)	8928QS	\$355.00	
<input type="checkbox"/>	Storage Well w/ Organizers	8400	\$300.00	
<input type="checkbox"/>	Utility Center, Premium w/ Frame & Cover, White (Included with R4221)	8329	\$486.50	

Step 3 Configure Your Doctor's Delivery

		Part Number	Retail Price	TOTAL
Step 3A Choose Doctor's Delivery				
<input type="checkbox"/>	Reliance Cabinet Mount Automatic Control Unit for 3 HP (requires 4289, 4337 & 4336)	4470	\$967.80	
<input type="checkbox"/>	Reliance Cabinet Mount Manual Control Unit for 2 HP, 2 Wet (requires 4289, 4337 & 4336)	4521	\$724.50	
Step 3B Required with Doctor's Delivery				
<input type="checkbox"/>	Pin Mount Bracket Kit, White	4289	\$67.30	
<input type="checkbox"/>	Rigid Arm, 6", White	8337	\$64.20	
<input type="checkbox"/>	Control Mount Bracket, White	8336	\$107.70	
<input type="checkbox"/>	Additional Extended Vacuum Valve and Tubing	R52892G	\$100.00	



8400



4470



4289 / 8337 / 8336

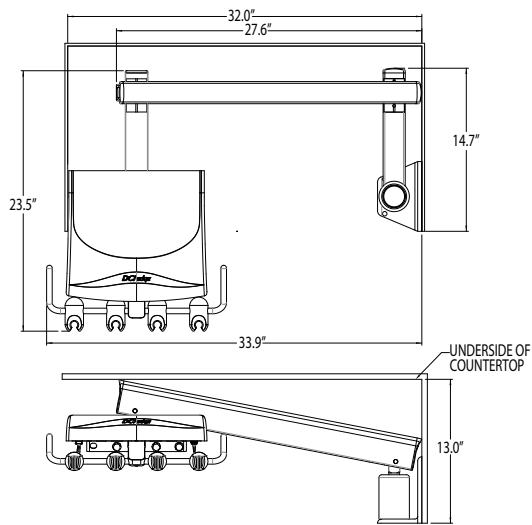
RELIANCE SIDE DELIVERY



- Smooth lines for easing cleaning
- Automatic control for 3 handpieces
- Includes a stainless-steel tray (PN 8013)
- Includes 8 Conductor Low Voltage Electrical Cable
- Includes a Precision Comfort® Syringe
- Available in left- or right-hand configuration
- 4-Hole Straight Sterling Tubing is Standard

✓ - Standard Features - Choose Your Option

		Part Number	Retail Price	TOTAL
Step 1 Select Your Delivery System				
Reliance Side Delivery Auto Dental Unit	<input type="checkbox"/>	RW4000	White	\$4,320.00
	<input type="checkbox"/>	RW4050	Gray	\$4,320.00



RW4000 / RW4050

Step 2 Configure Your Control Head Options

	(All tubings are Sterling. If nothing is selected - highlighted positions will be used)	Part Number	Handpiece Positions					Retail Price	TOTAL
			0	1	2	3	4		
<input checked="" type="checkbox"/>	DCI Precision Comfort Syringe and tubing							Included	
<input checked="" type="checkbox"/>	HP Tubing 4 Hole Asepsis							Included	
<input type="checkbox"/>	ISO-C 6-Pin Deluxe 3 HP Illumination System (Includes a 9483 tubing)	9885						\$530.00	
<input type="checkbox"/>	ISO 5-Hole Deluxe 3 HP Illumination System (Includes a 9978 tubing)	9889						\$620.00	
<input type="checkbox"/>	ISO-C 6-Pin Standard 2 HP Illumination System (Includes a 9483 tubing)	9905						\$280.00	
<input type="checkbox"/>	ISO 5-Hole Standard 2 HP Illumination System (Includes a 9978 tubing)	9900						\$370.00	
<input type="checkbox"/>	ISO-C 6-Pin Economy HP Illumination System (Includes a 9483 tubing)	9876						\$230.00	
<input type="checkbox"/>	ISO 5-Hole Economy HP Illumination System (Includes a 9978 tubing)	9881						\$320.00	
<input type="checkbox"/>	Additional ISO-C 6-Pin Tubing Option for Illumination Systems	9483						\$174.00	
<input type="checkbox"/>	Additional ISO 5-Hole Tubing Option for Illumination Systems	9978						\$174.00	
<input type="checkbox"/>	Delete HP Position 3	4344						-\$40.00	
<input type="checkbox"/>	Add HP Position (Position 4) Includes Block, Water Valve, Holder & HP Tubing	4467 White/ 4468 Gray						\$200.00	
<input checked="" type="checkbox"/>	Stainless Steel Tray and Non-Skid Pad							Included	
<input checked="" type="checkbox"/>	Wet/Dry Foot Control							Included	
<input type="checkbox"/>	Add scaler / chip air button to foot control	4346						\$80.00	

Step 3 Select Your Unit Options

		Part Number	Retail Price	TOTAL
<input type="checkbox"/>	Asepsis Self-Contained Deluxe QS Dual Water System w/ 750 ml Bottle	8178QS	\$364.40	
<input type="checkbox"/>	Wall & Cabinet Mount Assistant Instrumentation Premium Precision Comfort®	5432	\$590.00	
<input type="checkbox"/>	Precision Comfort® Assistant's Package, HVE, SE, SYR	5380	\$300.20	
<input type="checkbox"/>	Vertical Mount Assistant's Holders, 4 Position	5378	\$248.40	



8178QS



5432



5378 / 5380

RELIANCE

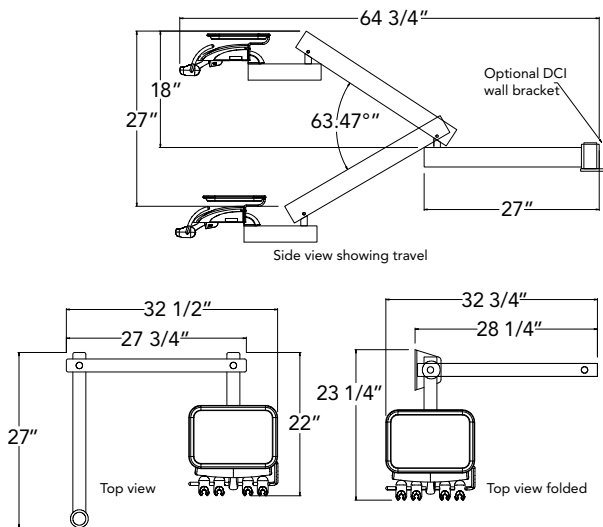
ARM-MOUNTED, 3 HP, AUTOMATIC



- Smooth lines for easing cleaning
- Automatic control for 3 handpieces
- Includes a stainless-steel tray (PN 8013)
- Includes 8 Conductor Low Voltage Electrical Cable
- Includes a Precision Comfort® Syringe
- Available in left- or right-hand configuration
- 4-Hole Straight Gray Tubing is Standard

✓ - Standard Features □ - Choose Your Option

		Part Number	Retail Price	TOTAL	
Step 1 Select Your Delivery System & Color					
Reliance Arm Mounted Automatic Control Unit for 3 HP w/ Flex Arm	<input type="checkbox"/>	4478	White	\$2,023.50	
	<input type="checkbox"/>	4477	Gray	\$2,023.50	
Step 2 Configure Your Control Head Options					
	<i>(All tubings are Gray. If nothing is selected - highlighted positions will be used)</i>	Part Number	Handpiece Positions	Retail Price	TOTAL
			0 1 2 3 4		
✓	DCI Precision Comfort Syringe and tubing			Included	
✓	HP Tubing 4 Hole Asepsis			Included	
<input type="checkbox"/>	ISO-C 6-Pin Deluxe 3 HP Illumination System (Includes a 9481 tubing)	9886		\$530.00	
<input type="checkbox"/>	ISO 5-Hole Deluxe 3 HP Illumination System (Includes a 9976 tubing)	9891		\$620.00	
<input type="checkbox"/>	ISO-C 6-Pin Standard 2 HP Illumination System (Includes a 9481 tubing)	9903		\$280.00	
<input type="checkbox"/>	ISO 5-Hole Standard 2 HP Illumination System (Includes a 9976 tubing)	9898		\$370.00	
<input type="checkbox"/>	ISO-C 6-Pin Economy HP Illumination System (Includes a 9481 tubing)	9878		\$230.00	
<input type="checkbox"/>	ISO 5-Hole Economy HP Illumination System (Includes a 9976 tubing)	9883		\$320.00	
<input type="checkbox"/>	Additional ISO-C 6-Pin Tubing Option for Illumination Systems	9481		\$174.00	
<input type="checkbox"/>	Additional ISO 5-Hole Tubing Option for Illumination Systems	9976		\$174.00	
<input type="checkbox"/>	Delete HP Position 3	4344		-\$40.00	
<input type="checkbox"/>	Add HP Position (Position 4) Includes Block, Water Valve, Holder & HP Tubing	4467 White/ 4468 Gray		\$200.00	
<input type="checkbox"/>	Sub chassis for accessory integration	4230		\$70.00	
✓	Stainless Steel Tray			Included	
✓	Wet/Dry Foot Control			Included	
<input type="checkbox"/>	Add scaler / chip air button to foot control	4346		\$80.00	
✓	50" Flex Arm for 2" Post w/ Air Brake			Included	



4478 / 4477

Step 3 Configure Your Mounting Options

		Part Number	Retail Price	TOTAL
<input type="checkbox"/>	Wall Mount Bracket	8647 White / 8349 Gray	\$165.60	
<input type="checkbox"/>	Top Post Mount Adapter Kit	8923 White/ 8956 Gray	\$160.00	
<input type="checkbox"/>	Post, 24", w/ Oilite Bushing	4762 White / 4764 Gray	\$196.70	
<input type="checkbox"/>	Post, 30", w/ Oilite Bushing	4763 White / 4765 Gray	\$202.90	

Step 4 Select Your Utility Center Options

		Part Number	Retail Price	TOTAL
<input type="checkbox"/>	Asepsis Self-Contained Deluxe QS Single Water System w/ 2 Liter Bottle & 2" Clamp	8928QS	\$355.00	
<input type="checkbox"/>	Asepsis Self-Contained Deluxe QS Dual Water System w/ 750 ml Bottle	8178QS	\$364.40	
<input type="checkbox"/>	Utility Center w/ White Box & Regulators	8329	\$486.50	
<input type="checkbox"/>	Wall & Cabinet Mount Assistant Instrumentation Premium Precision Comfort	5432	\$590.00	
<input type="checkbox"/>	Precision Comfort Assistant's Package, 2 HVE, SE, SYR (Requires 5373)	5364	\$367.50	
<input type="checkbox"/>	Vertical Mount Assistant's Holders, 4 Position	5373	\$96.30	



8923 / 8956



4762 / 4764



8928QS



8329



5432



5373 / 5364

ALTERNATIVE ARM-MOUNTED, 3 HP, AUTOMATIC



- Shown with optional Stainless Steel Tray (PN 8013). Sold separately
- Smooth lines for easing cleaning
- Automatic control for 3 handpieces
- Includes 8 Conductor Low Voltage Electrical Cable
- Includes a Precision Comfort® Syringe
- Available in left- or right-hand configuration
- 4-Hole Straight Gray Tubing is Standard

- Standard Features - Choose Your Option

		Part Number	Retail Price	TOTAL	
Step 1 Select Your Delivery System					
Alternative Arm Mounted Automatic Control Unit for 3 HP w/ Tray & White Flex Arm	<input type="checkbox"/>	4376	White	\$1,857.90	
Step 2 Configure Your Control Head Options					
	(All tubings are Gray. If nothing is selected - highlighted positions will be used)	Part Number	Handpiece Positions	Retail Price	TOTAL
			0 1 2 3 4		
<input checked="" type="checkbox"/>	DCI Precision Comfort Syringe and tubing			Included	
<input checked="" type="checkbox"/>	HP Tubing 4 Hole Asepsis			Included	
<input type="checkbox"/>	ISO-C 6-Pin Deluxe 3 HP Illumination System (Includes a 9481 tubing)	9886		\$530.00	
<input type="checkbox"/>	ISO 5-Hole Deluxe 3 HP Illumination System (Includes a 9976 tubing)	9891		\$620.00	
<input type="checkbox"/>	ISO-C 6-Pin Standard 2 HP Illumination System (Includes a 9481 tubing)	9903		\$280.00	
<input type="checkbox"/>	ISO 5-Hole Standard 2 HP Illumination System (Includes a 9976 tubing)	9898		\$370.00	
<input type="checkbox"/>	ISO-C 6-Pin Economy HP Illumination System (Includes a 9481 tubing)	9878		\$230.00	
<input type="checkbox"/>	ISO 5-Hole Economy HP Illumination System (Includes a 9976 tubing)	9883		\$320.00	
<input type="checkbox"/>	Additional ISO-C 6-Pin Tubing Option for Illumination Systems	9481		\$174.00	
<input type="checkbox"/>	Additional ISO 5-Hole Tubing Option for Illumination Systems	9976		\$174.00	
<input type="checkbox"/>	Delete HP Position 3	4344		-\$40.00	
<input type="checkbox"/>	Add HP Position (Position 4) Includes Block, Water Valve, Holder & HP Tubing	4467 White		\$200.00	
<input type="checkbox"/>	Stainless Steel Tray	8013		\$43.50	
<input checked="" type="checkbox"/>	Wet/Dry Foot Control			Included	
<input type="checkbox"/>	Add scaler / chip air button to foot control	4346		\$80.00	
<input checked="" type="checkbox"/>	50" Flex Arm for 2" Post w/ Air Brake			Included	



4376

Shown with optional Stainless Steel Tray (PN 8013). Sold separately.

Step 3 Configure Your Mounting Options

		Part Number	Retail Price	TOTAL
<input type="checkbox"/>	Wall Mount Bracket	8647 White	\$165.60	
<input type="checkbox"/>	Top Post Mount Adapter	8923 White	\$160.00	
<input type="checkbox"/>	Post, 24" White, w/ Oilite Bushing	4762	\$196.70	
<input type="checkbox"/>	Post, 30" White, w/ Oilite Bushing	4763	\$202.90	

Step 4 Select Your Utility Center Options

		Part Number	Retail Price	TOTAL
<input type="checkbox"/>	Asepsis Self-Contained Deluxe QS Single Water System w/ 2 Liter Bottle & 2" Clamp	8928QS	\$355.00	
<input type="checkbox"/>	Asepsis Self-Contained Deluxe QS Dual Water System w/ 750 ml Bottle	8178QS	\$364.40	
<input type="checkbox"/>	Utility Center w/ White Box & Regulators	8329	\$486.50	
<input type="checkbox"/>	Wall & Cabinet Mount Assistant Instrumentation Premium Precision Comfort	5432	\$590.00	
<input type="checkbox"/>	Precision Comfort Assistant's Package, 2 HVE, SE, SYR (Requires 5373)	5364	\$367.50	
<input type="checkbox"/>	Vertical Mount Assistant's Holders, 4 Position	5373	\$96.30	



8923



4762 / 4764



8928QS



8329



5432



5373 / 5364

RELIANCE

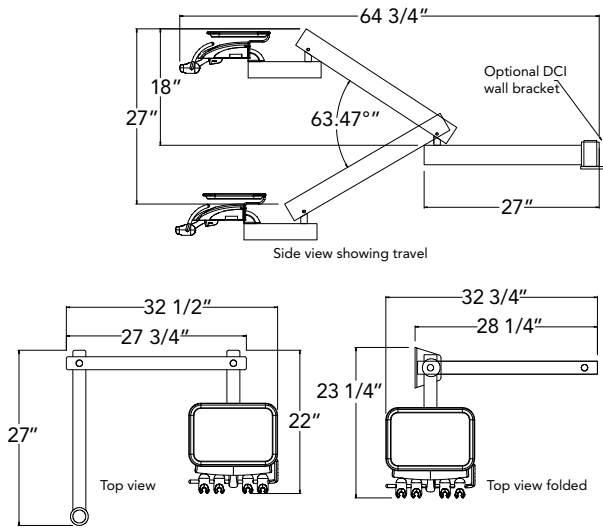
ARM-MOUNTED, 2 HP, MANUAL



- Shown with optional Stainless Steel Tray (PN 8013). Sold separately
- Smooth lines for easing cleaning
- Automatic control for 2 handpieces
- Includes 8 Conductor Low Voltage Electrical Cable
- Includes a Precision Comfort® Gray
- Available in left- or right-hand configuration
- 4-Hole Straight Gray Tubing is Standard

✓ - Standard Features □ - Choose Your Option

		Part Number	Retail Price	TOTAL	
Step 1 Select Your Delivery System & Color					
Reliance Arm Mounted Manual Control Unit for 2HP, 2 Wet w/ Flex Arm	<input type="checkbox"/>	4530	White	\$1,857.90	
	<input type="checkbox"/>	4528	Gray	\$1,857.90	
Reliance Arm Mounted Manual Control Unit for 2HP, 1 Wet & 1 Dry w/ Flex Arm	<input type="checkbox"/>	4529	White	\$1,790.60	
	<input type="checkbox"/>	4526	Gray	\$1,790.60	
Step 2 Configure Your Control Head Options					
	<i>(All tubings are Gray. If nothing is selected - highlighted positions will be used)</i>	Part Number	Handpiece Positions	Retail Price	TOTAL
			0 1 2 3 4		
✓	DCI Precision Comfort Syringe and tubing			Included	
✓	HP Tubing 4 Hole Asepsis			Included	
<input type="checkbox"/>	ISO-C 6-Pin Standard 2 HP Illumination System (Includes a 9481 tubing)	9903		\$280.00	
<input type="checkbox"/>	ISO 5-Hole Standard 2 HP Illumination System (Includes a 9976 tubing)	9898		\$370.00	
<input type="checkbox"/>	ISO-C 6-Pin Economy HP Illumination System (Includes a 9481 tubing)	9878		\$230.00	
<input type="checkbox"/>	ISO 5-Hole Economy HP Illumination System (Includes a 9976 tubing)	9883		\$320.00	
<input type="checkbox"/>	Additional ISO-C 6-Pin Tubing Option for Illumination Systems	9481		\$174.00	
<input type="checkbox"/>	Additional ISO 5-Hole Tubing Option for Illumination Systems	9976		\$174.00	
<input type="checkbox"/>	Stainless Steel Tray	8013		\$43.50	
✓	Disc-Type Foot Control			Included	
<input type="checkbox"/>	Add scaler / chip air button to foot control	4346		\$80.00	
✓	50" Flex Arm for 2" Post w/ Air Brake			Included	



4530 / 4528
4529 / 4526

Shown with optional Stainless Steel Tray (PN 8013). Sold separately.

Step 3 Configure Your Mounting Options

		Part Number	Retail Price	TOTAL
<input type="checkbox"/>	Wall Mount Bracket	8647 White / 8349 Gray	\$165.60	
<input type="checkbox"/>	Top Post Mount Adapter	8923 White / 8956 Gray	\$160.00	
<input type="checkbox"/>	Post, 24", w/ Oilite Bushing	4762 White / 4764 Gray	\$196.70	
<input type="checkbox"/>	Post, 30", w/ Oilite Bushing	4763 White / 4765 Gray	\$202.90	

Step 4 Select Your Utility Center Options

		Part Number	Retail Price	TOTAL
<input type="checkbox"/>	Asepsis Self-Contained Deluxe QS Single Water System w/ 2 Liter Bottle & 2" Clamp	8928QS	\$355.00	
<input type="checkbox"/>	Asepsis Self-Contained Deluxe QS Dual Water System w/ 750 ml Bottle	8178QS	\$364.40	
<input type="checkbox"/>	Utility Center w/ White Box & Regulators	8329	\$486.50	
<input type="checkbox"/>	Wall & Cabinet Mount Assistant Instrumentation Premium Precision Comfort	5432	\$590.00	
<input type="checkbox"/>	Precision Comfort Assistant's Package, 2 HVE, SE, SYR (Requires 5373)	5364	\$367.50	
<input type="checkbox"/>	Vertical Mount Assistant's Holders, 4 Position	5373	\$96.30	



8923 / 8956



4762 / 4764



8928QS



8329



5432



5373 / 5364

ALTERNATIVE ARM-MOUNTED, 2 HP, MANUAL



- Shown with optional Stainless Steel Tray (PN 8013). Sold separately
- Smooth lines for easing cleaning
- Automatic control for 2 handpieces
- Includes 8 Conductor Low Voltage Electrical Cable
- Includes a Precision Comfort® Syringe
- Available in left- or right-hand configuration
- 4-Hole Straight Gray Tubing is Standard

✓ - Standard Features □ - Choose Your Option

Part Number	Retail Price	TOTAL
-------------	--------------	-------

Step 1 Select Your Delivery System

Alternative Arm Mounted 2 Wet w/ Tray & White Flex Arm	<input type="checkbox"/>	4129	White	\$1,671.60	
Alternative Arm Mounted Manual Control, 1 Wet & 1 Dry w/ Tray & White Flex Arm	<input type="checkbox"/>	4128	White	\$1,588.80	

Step 2 Configure Your Control Head Options

	(All tubings are Gray. If nothing is selected - highlighted positions will be used)	Part Number	Handpiece Positions					Retail Price	TOTAL
			0	1	2	3	4		
✓ DCI Precision Comfort Syringe and tubing								Included	
✓ HP Tubing 4 Hole Asepsis								Included	
<input type="checkbox"/> ISO-C 6-Pin Standard 2 HP Illumination System (Includes a 9481 tubing)		9903						\$280.00	
<input type="checkbox"/> ISO 5-Hole Standard 2 HP Illumination System (Includes a 9976 tubing)		9898						\$370.00	
<input type="checkbox"/> ISO-C 6-Pin Economy HP Illumination System (Includes a 9481 tubing)		9878						\$230.00	
<input type="checkbox"/> ISO 5-Hole Economy HP Illumination System (Includes a 9976 tubing)		9883						\$320.00	
<input type="checkbox"/> Additional ISO-C 6-Pin Tubing Option for Illumination Systems		9481						\$174.00	
<input type="checkbox"/> Additional ISO 5-Hole Tubing Option for Illumination Systems		9976						\$174.00	
<input type="checkbox"/> Stainless Steel Tray		8013						\$43.50	
✓ Standard Foot Control								Included	
<input type="checkbox"/> Add scaler / chip air button to foot control		4346						\$80.00	
✓ 50" Flex Arm for 2" Post w/ Air Brake								Included	



4128 / 4129

Shown with optional Stainless SteelTray (PN 8013). Sold separately.

Step 3 Configure Your Mounting Options

		Part Number	Retail Price	TOTAL
<input type="checkbox"/>	Wall Mount Bracket	8647 White	\$165.60	
<input type="checkbox"/>	Top Post Mount Adapter	8923 White	\$160.00	
<input type="checkbox"/>	Post, 24" White, w/ Oilite Bushing	4762	\$196.70	
<input type="checkbox"/>	Post, 30" White, w/ Oilite Bushing	4763	\$202.90	

Step 4 Select Your Utility Center Options

		Part Number	Retail Price	TOTAL
<input type="checkbox"/>	Asepsis Self-Contained Deluxe QS Single Water System w/ 2 Liter Bottle & 2" Clamp	8928QS	\$355.00	
<input type="checkbox"/>	Asepsis Self-Contained Deluxe QS Dual Water System w/ 750 ml Bottle	8178QS	\$364.40	
<input type="checkbox"/>	Utility Center w/ White Box & Regulators	8329	\$486.50	
<input type="checkbox"/>	Wall & Cabinet Mount Assistant Instrumentation Premium Precision Comfort	5432	\$590.00	
<input type="checkbox"/>	Precision Comfort Assistant's Package, 2 HVE, SE, SYR (Requires 5373)	5364	\$367.50	
<input type="checkbox"/>	Vertical Mount Assistant's Holders, 4 Position	5373	\$96.30	



8923 / 8956



4762 / 4764



8928QS



8329



5432



5373 / 5364

RELIANCE

CABINET-MOUNTED DELIVERY WITH ASSISTANT'S PACKAGE



- Precision Comfort® Syringe
- Wet/Dry Foot Control
- Stainless-steel tray (PN 8013) and holder
- 7 ft. of 5/8" umbilical
- 4-Hole Straight Gray Tubing is Standard, with other tubing styles and colors available upon request.
- Economy Self-Contained Deluxe Water System w/ 2L Bottle

✓ - Standard Features □ - Choose Your Option

		Part Number	Retail Price	TOTAL	
Step 1 Select Your Delivery System					
Reliance Cabinet Mount Automatic Control Unit for 3 HP, w/ Asst. Pkg		<input type="checkbox"/> 4469	\$3,177.50		
Reliance Cabinet Mount Manual Control Unit for 2 HP, w/ Asst. Pkg		<input type="checkbox"/> 4521L	\$3,006.70		
Step 2 Configure Your Control Head Options					
<i>(All tubings are Gray. If nothing is selected - highlighted positions will be used)</i>		Part Number	Handpiece Positions	Retail Price	TOTAL
			0 1 2 3 4		
✓	DCI Precision Comfort Syringe and tubing			Included	
✓	HP Tubing 4 Hole Asepsis			Included	
<input type="checkbox"/>	ISO-C 6-Pin Deluxe 3 HP Illumination System (Includes a 9481 tubing)	9886		\$530.00	
<input type="checkbox"/>	ISO 5-Hole Deluxe 3 HP Illumination System (Includes a 9976 tubing)	9891		\$620.00	
<input type="checkbox"/>	ISO-C 6-Pin Standard 2 HP Illumination System (Includes a 9481 tubing)	9903		\$280.00	
<input type="checkbox"/>	ISO 5-Hole Standard 2 HP Illumination System (Includes a 9976 tubing)	9898		\$370.00	
<input type="checkbox"/>	ISO-C 6-Pin Economy HP Illumination System (Includes a 9481 tubing)	9878		\$230.00	
<input type="checkbox"/>	ISO 5-Hole Economy HP Illumination System (Includes a 9976 tubing)	9883		\$320.00	
<input type="checkbox"/>	Additional ISO-C 6-Pin Tubing Option for Illumination Systems	9481		\$174.00	
<input type="checkbox"/>	Additional ISO 5-Hole Tubing Option for Illumination Systems	9976		\$174.00	
<input type="checkbox"/>	Delete HP Position 3	4344		-\$40.00	
<input type="checkbox"/>	Add HP Position (Position 4) Includes Block, Water Valve, Holder & HP Tubing	4467 White		\$200.00	
<input type="checkbox"/>	Sub chassis for accessory integration (For 4469 Only)	4230		\$70.00	
✓	Stainless Steel Tray			Included	
✓	Disc-Type Foot Control			Included	
<input type="checkbox"/>	Add scaler / chip air button to foot control	4346		\$80.00	
✓	Economy Self-Contained Deluxe Water System w/ 2 Liter Bottle	8143		Included	



4469



4521L

Step 3 Configure Your Mounting Style

		Part Number	Retail Price	TOTAL
<input type="checkbox"/>	Horizontal Mount, 1/2", White	8379	\$60.90	
<input checked="" type="checkbox"/>	Vertical Mount, 1/2" Pin, White	8378	Included	
<input type="checkbox"/>	Post Mount, 2", White	8259	\$72.50	
<input checked="" type="checkbox"/>	Rigid Arm, 6", White (qty 2)	8337	Included	
<input checked="" type="checkbox"/>	Rigid Arm, 8", Dual Pivot Arm, White	8338	Included	



8379



8378



8337

RELIANCE CABINET-MOUNTED, 3 HP, AUTOMATIC

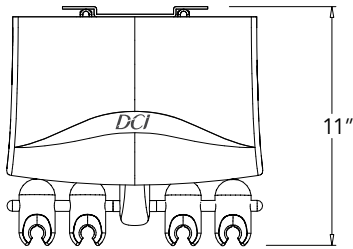
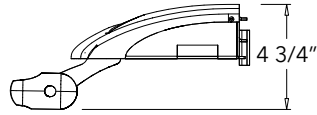
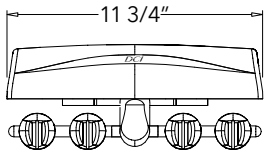


- Automatic control for 3 handpieces
- Precision Comfort® Syringe
- Wet/Dry Foot Control
- 7 ft. of 5/8" umbilical
- 4-Hole Straight Gray Tubing is Standard, with other tubing styles and colors available upon request.

- Standard Features - Choose Your Option

	Part Number	Retail Price	TOTAL
Step 1 Select Your Delivery System			
Reliance Cabinet Mount Automatic Control Unit for 3 HP	<input type="checkbox"/> 4470	White	\$967.80

Step 2 Configure Your Control Head Options									
	(All tubings are Gray. If nothing is selected - highlighted positions will be used)	Part Number	Handpiece Positions					Retail Price	TOTAL
			0	1	2	3	4		
<input checked="" type="checkbox"/>	DCI Precision Comfort Syringe and tubing							Included	
<input checked="" type="checkbox"/>	HP Tubing 4 Hole Asepsis							Included	
<input type="checkbox"/>	ISO-C 6-Pin Deluxe 3 HP Illumination System (Includes a 9481 tubing)	9886						\$530.00	
<input type="checkbox"/>	ISO 5-Hole Deluxe 3 HP Illumination System (Includes a 9976 tubing)	9891						\$620.00	
<input type="checkbox"/>	ISO-C 6-Pin Standard 2 HP Illumination System (Includes a 9481 tubing)	9903						\$280.00	
<input type="checkbox"/>	ISO 5-Hole Standard 2 HP Illumination System (Includes a 9976 tubing)	9898						\$370.00	
<input type="checkbox"/>	ISO-C 6-Pin Economy HP Illumination System (Includes a 9481 tubing)	9878						\$230.00	
<input type="checkbox"/>	ISO 5-Hole Economy HP Illumination System (Includes a 9976 tubing)	9883						\$320.00	
<input type="checkbox"/>	Additional ISO-C 6-Pin Tubing Option for Illumination Systems	9481						\$174.00	
<input type="checkbox"/>	Additional ISO 5-Hole Tubing Option for Illumination Systems	9976						\$174.00	
<input type="checkbox"/>	Delete HP Position 3	4344						-\$40.00	
<input type="checkbox"/>	Add HP Position (Position 4) Includes Block, Water Valve, Holder & HP Tubing	4467 White						\$200.00	
<input type="checkbox"/>	Sub chassis for accessory integration	4230						\$70.00	
<input checked="" type="checkbox"/>	Wet/Dry Foot Control							Included	
<input type="checkbox"/>	Add scaler / chip air button to foot control	4346						\$80.00	



4470



4470

Step 3 Configure Your Mounting Style

		Part Number	Retail Price	TOTAL
<input type="checkbox"/>	Control Mount Bracket (for use with rigid arms)	8336 White / 8634 Gray	\$107.70	
<input type="checkbox"/>	Rigid Arm, 6"	8337 White / 8303 Gray	\$64.20	
<input type="checkbox"/>	Rigid Arm, 8", Dual Pivot Arm	8338 White / 8304 Gray	\$66.30	
<input type="checkbox"/>	Rigid Arm, 12"	8356 White / 8306 Gray	\$72.50	
<input type="checkbox"/>	Rigid Arm, 16"	8357 White / 8307 Gray	\$78.70	
<input type="checkbox"/>	Surface mount bracket vertical (for use with rigid arms)	8378 White / 8308 Gray	\$60.90	
<input type="checkbox"/>	Surface mount bracket horizontal (for use with rigid arms)	8379 White / 8309 Gray	\$60.90	
<input type="checkbox"/>	Surface mount bracket under counter mount (for use with rigid arms)	4289 White / 4291 Gray	\$67.30	
<input type="checkbox"/>	Post Mount, 2" (for use with rigid arms)	8259 White / 8253 Gray	\$72.50	
<input type="checkbox"/>	Post Top Mount, 2" (for use with rigid arms)	8489 White / 8294 Gray	\$141.30	

Step 4 Select Your Utility Center Options

		Part Number	Retail Price	TOTAL
<input type="checkbox"/>	Economy clean water system	8139QS	\$224.60	
<input type="checkbox"/>	Asepsis Dual clean water system	8178QS	\$364.40	



8634, 8303, 8306, 8253



8634, 8303, 8308



8634, 8304, 8303, 8308



8634, 8303, 4291



8634, 8304, 8294



8634, 8304, 8308

• Other mounting combinations possible

ALTERNATIVE CABINET-MOUNTED, 3 HP, AUTOMATIC



- Automatic control for 3 handpieces
- Precision Comfort® Syringe
- Wet/Dry Foot Control
- 7 ft. of 5/8" umbilical
- 4-Hole Straight Gray Tubing is Standard, with other tubing styles and colors available upon request.

✓ - Standard Features - Choose Your Option

	Part Number	Retail Price	TOTAL
Step 1 Select Your Delivery System			
Alternative Cabinet or Wall Mount Automatic Control 3 HP	<input type="checkbox"/> 4370	White	\$802.20

Step 2 Configure Your Control Head Options									
	<i>(All tubings are Gray. If nothing is selected - highlighted positions will be used)</i>	Part Number	Handpiece Positions					Retail Price	TOTAL
			0	1	2	3	4		
✓	DCI Precision Comfort Syringe and tubing							Included	
✓	HP Tubing 4 Hole Asepsis							Included	
<input type="checkbox"/>	ISO-C 6-Pin Deluxe 3 HP Illumination System (Includes a 9481 tubing)	9886						\$530.00	
<input type="checkbox"/>	ISO 5-Hole Deluxe 3 HP Illumination System (Includes a 9976 tubing)	9891						\$620.00	
<input type="checkbox"/>	ISO-C 6-Pin Standard 2 HP Illumination System (Includes a 9481 tubing)	9903						\$280.00	
<input type="checkbox"/>	ISO 5-Hole Standard 2 HP Illumination System (Includes a 9976 tubing)	9898						\$370.00	
<input type="checkbox"/>	ISO-C 6-Pin Economy HP Illumination System (Includes a 9481 tubing)	9878						\$230.00	
<input type="checkbox"/>	ISO 5-Hole Economy HP Illumination System (Includes a 9976 tubing)	9883						\$320.00	
<input type="checkbox"/>	Additional ISO-C 6-Pin Tubing Option for Illumination Systems	9481						\$174.00	
<input type="checkbox"/>	Additional ISO 5-Hole Tubing Option for Illumination Systems	9976						\$174.00	
<input type="checkbox"/>	Delete HP Position 3	4344						-\$40.00	
<input type="checkbox"/>	Add HP Position (Position 4) Includes Block, Water Valve, Holder & HP Tubing	4467 White						\$200.00	
✓	Wet/Dry Foot Control							Included	
<input type="checkbox"/>	Add scaler / chip air button to foot control	4346						\$80.00	



4370

Step 3 Configure Your Mounting Style

		Part Number	Retail Price	TOTAL
<input type="checkbox"/>	Control Mount Bracket (for use with rigid arms)	8336 White / 8634 Gray	\$107.70	
<input type="checkbox"/>	Rigid Arm, 6"	8337 White / 8303 Gray	\$64.20	
<input type="checkbox"/>	Rigid Arm, 8", Dual Pivot Arm	8338 White / 8304 Gray	\$66.30	
<input type="checkbox"/>	Rigid Arm, 12"	8356 White / 8306 Gray	\$72.50	
<input type="checkbox"/>	Rigid Arm, 16"	8357 White / 8307 Gray	\$78.70	
<input type="checkbox"/>	Surface mount bracket vertical (for use with rigid arms)	8378 White / 8308 Gray	\$60.90	
<input type="checkbox"/>	Surface mount bracket horizontal (for use with rigid arms)	8379 White / 8309 Gray	\$60.90	
<input type="checkbox"/>	Surface mount bracket under counter mount (for use with rigid arms)	4289 White / 4291 Gray	\$67.30	
<input type="checkbox"/>	Post Mount, 2" (for use with rigid arms)	8259 White / 8253 Gray	\$72.50	
<input type="checkbox"/>	Post Top Mount, 2" (for use with rigid arms)	8489 White / 8294 Gray	\$141.30	

Step 4 Select Your Additional Options

		Part Number	Retail Price	TOTAL
<input type="checkbox"/>	Economy clean water system	8139QS	\$224.60	
<input type="checkbox"/>	Asepsis Dual clean water system	8178QS	\$364.40	



8634, 8303, 8294



8634, 8303, 8308



8634, 8303, 8308



8634, 8303, 4291



8634, 8304, 8294



8634, 8304, 8308

• Other mounting combinations possible

RELIANCE CABINET-MOUNTED, 2 HP, MANUAL



- Manual control for 2 handpieces
- Precision Comfort® Syringe
- Standard Foot Control
- 7 ft. of 5/8" umbilical
- 4-Hole Straight Gray Tubing is Standard, with other tubing styles and colors available upon request.

✓ - Standard Features □ - Choose Your Option

		Part Number	Retail Price	TOTAL
Step 1 Select Your Delivery System				
Reliance Cabinet Mount Manual Control Unit for 2 HP, 2 Wet	<input type="checkbox"/>	4521	\$724.50	
Reliance Cabinet Mount Manual Control Unit for 2 HP, 1 Wet & 1 Dry	<input type="checkbox"/>	4520	\$693.50	

Step 2 Configure Your Control Head Options									
	(All tubings are Gray. If nothing is selected - highlighted positions will be used)	Part Number	Handpiece Positions					Retail Price	TOTAL
			0	1	2	3	4		
✓	DCI Precision Comfort Syringe and tubing							Included	
✓	HP Tubing 4 Hole Asepsis							Included	
<input type="checkbox"/>	ISO-C 6-Pin Standard 2 HP Illumination System (Includes a 9481 tubing)	9903						\$280.00	
<input type="checkbox"/>	ISO 5-Hole Standard 2 HP Illumination System (Includes a 9976 tubing)	9891						\$370.00	
<input type="checkbox"/>	ISO-C 6-Pin Economy HP Illumination System (Includes a 9481 tubing)	9903						\$230.00	
<input type="checkbox"/>	ISO 5-Hole Economy HP Illumination System (Includes a 9976 tubing)	9898						\$320.00	
<input type="checkbox"/>	Additional ISO-C 6-Pin Tubing Option for Illumination Systems	9481						\$174.00	
<input type="checkbox"/>	Additional ISO 5-Hole Tubing Option for Illumination Systems	9976						\$174.00	
✓	Standard Foot Control							Included	
<input type="checkbox"/>	Add scaler / chip air button to foot control	4346						\$80.00	



4520 / 4521

Step 3 Configure Your Mounting Style

		Part Number	Retail Price	TOTAL
<input type="checkbox"/>	Control Mount Bracket (for use with rigid arms)	8336 White / 8634 Gray	\$107.70	
<input type="checkbox"/>	Rigid Arm, 6"	8337 White / 8303 Gray	\$64.20	
<input type="checkbox"/>	Rigid Arm, 8", Dual Pivot Arm	8338 White / 8304 Gray	\$66.30	
<input type="checkbox"/>	Rigid Arm, 12"	8356 White / 8306 Gray	\$72.50	
<input type="checkbox"/>	Rigid Arm, 16"	8357 White / 8307 Gray	\$78.70	
<input type="checkbox"/>	Surface mount bracket vertical (for use with rigid arms)	8378 White / 8308 Gray	\$60.90	
<input type="checkbox"/>	Surface mount bracket horizontal (for use with rigid arms)	8379 White / 8309 Gray	\$60.90	
<input type="checkbox"/>	Surface mount bracket under counter mount (for use with rigid arms)	4289 White / 4291 Gray	\$67.30	
<input type="checkbox"/>	Post Mount, 2" (for use with rigid arms)	8259 White / 8253 Gray	\$72.50	
<input type="checkbox"/>	Post Top Mount, 2" (for use with rigid arms)	8489 White / 8294 Gray	\$141.30	

Step 4 Select Your Additional Options

		Part Number	Retail Price	TOTAL
<input type="checkbox"/>	Economy clean water system	8139QS	\$224.60	
<input type="checkbox"/>	Asepsis Dual clean water system	8178QS	\$364.40	



8634, 8303, 8306, 8253



8634, 8304, 8303, 8308



8634, 8303, 8306, 4291



8634, 8303, 4291



8634, 8304, 8294



8634, 8304, 8308

• Other mounting combinations possible

ALTERNATIVE CABINET-MOUNTED, 2 HP, MANUAL



- Manual control for 2 handpieces
- Precision Comfort® Syringe
- Standard Foot Control
- 7 ft. of 5/8" umbilical
- 4-Hole Straight Gray Tubing is Standard, with other tubing styles and colors available upon request.

✓ - Standard Features - Choose Your Option

		Part Number	Retail Price	TOTAL
Step 1 Select Your Delivery System				
Alternative Cabinet or Wall Mount Manual Control, 1 Wet & 1 Dry	<input type="checkbox"/>	4120	\$543.40	
Alternative Cabinet or Wall Mount Manual Control, 2 Wet	<input type="checkbox"/>	4121	\$590.00	

Step 2 Configure Your Control Head Options

	(All tubings are Gray. If nothing is selected - highlighted positions will be used)	Part Number	Handpiece Positions					Retail Price	TOTAL
			0	1	2	3	4		
✓ DCI Precision Comfort Syringe and tubing									Included
✓ HP Tubing 4 Hole Asepsis									Included
<input type="checkbox"/> ISO-C 6-Pin Standard 2 HP Illumination System (Includes a 9481 tubing)		9903							\$280.00
<input type="checkbox"/> ISO 5-Hole Standard 2 HP Illumination System (Includes a 9976 tubing)		9898							\$370.00
<input type="checkbox"/> ISO-C 6-Pin Economy HP Illumination System (Includes a 9481 tubing)		9878							\$230.00
<input type="checkbox"/> ISO 5-Hole Economy HP Illumination System (Includes a 9976 tubing)		9883							\$320.00
<input type="checkbox"/> Additional ISO-C 6-Pin Tubing Option for Illumination Systems		9481							\$174.00
<input type="checkbox"/> Additional ISO 5-Hole Tubing Option for Illumination Systems		9976							\$174.00
✓ Standard Foot Control									Included
<input type="checkbox"/> Add scaler / chip air button to foot control		4346							\$80.00



4120 / 4121

Step 3 Configure Your Mounting Style

		Part Number	Retail Price	TOTAL
<input type="checkbox"/>	Control Mount Bracket (for use with rigid arms)	8336 White / 8634 Gray	\$107.70	
<input type="checkbox"/>	Rigid Arm, 6"	8337 White / 8303 Gray	\$64.20	
<input type="checkbox"/>	Rigid Arm, 8", Dual Pivot Arm	8338 White / 8304 Gray	\$66.30	
<input type="checkbox"/>	Rigid Arm, 12"	8356 White / 8306 Gray	\$72.50	
<input type="checkbox"/>	Rigid Arm, 16"	8357 White / 8307 Gray	\$78.70	
<input type="checkbox"/>	Surface mount bracket vertical (for use with rigid arms)	8378 White / 8308 Gray	\$60.90	
<input type="checkbox"/>	Surface mount bracket horizontal (for use with rigid arms)	8379 White / 8309 Gray	\$60.90	
<input type="checkbox"/>	Surface mount bracket under counter mount (for use with rigid arms)	4289 White / 4291 Gray	\$67.30	
<input type="checkbox"/>	Post Mount, 2" (for use with rigid arms)	8259 White / 8253 Gray	\$72.50	
<input type="checkbox"/>	Post Top Mount, 2" (for use with rigid arms)	8489 White / 8294 Gray	\$141.30	

Step 4 Select Your Additional Options

		Part Number	Retail Price	TOTAL
<input type="checkbox"/>	Economy clean water system	8139QS	\$224.60	
<input type="checkbox"/>	Asepsis Dual clean water system	8178QS	\$364.40	



8634, 8303, 8306, 8253



8634, 8303, 8308



8634, 8304, 8303, 8308



8634, 8303, 4291



8634, 8303, 8294



8634, 8304, 8308

• Other mounting combinations possible

DCI III

COMPACT DELIVERY UNITS



- 2 Handpiece Flex Arm System
- Can mount on 2" Post
- Choose between Automatic or Manual
- Precision Comfort® Syringe
- 6 ft. ½" Umbilical
- 4-Hole Straight Gray Tubing is Standard, with other tubing styles and colors available upon request.

✓ - Standard Features - Choose Your Option

		Part Number	Retail Price	TOTAL
Step 1 Select Your Delivery Unit				
DCI III Automatic control for 2 Handpiece, 2 Wet	<input type="checkbox"/>	4506	White	\$ 822.90
DCI III Manual control for 2 Handpiece, 1 Wet & 1 Dry	<input type="checkbox"/>	4502	White	\$ 507.20

Step 2 Configure Your Control Head Options									
	<i>(All tubings are Gray. If nothing is selected - highlighted positions will be used)</i>	Part Number	Handpiece Positions					Retail Price	TOTAL
			0	1	2	3	4		
✓	DCI Precision Comfort Syringe and tubing							Included	
✓	HP Tubing 4 Hole Asepsis							Included	
<input type="checkbox"/>	ISO-C 6-Pin Standard 2 HP Illumination System (Includes a 9481 tubing)	9903						\$280.00	
<input type="checkbox"/>	ISO 5-Hole Standard 2 HP Illumination System (Includes a 9976 tubing)	9898						\$370.00	
<input type="checkbox"/>	ISO-C 6-Pin Economy HP Illumination System (Includes a 9481 tubing)	9878						\$230.00	
<input type="checkbox"/>	ISO 5-Hole Economy HP Illumination System (Includes a 9976 tubing)	9883						\$320.00	
<input type="checkbox"/>	Additional ISO-C 6-Pin Tubing Option for Illumination Systems	9481						\$174.00	
<input type="checkbox"/>	Additional ISO 5-Hole Tubing Option for Illumination Systems	9976						\$174.00	
✓	Individual Drive air controls							Included	
✓	Foot Control							Included	
✓	6 foot of 1/2" Umbilical							Included	
<input type="checkbox"/>	Add scaler / chip air button to foot control	4346						\$80.00	



4506 / 4502

Step 3 Configure Your Mounting Style

		Part Number	Retail Price	TOTAL
<input type="checkbox"/>	Control Mount Bracket (for use with rigid arms)	8336 White / 8634 Gray	\$107.70	
<input type="checkbox"/>	Rigid Arm, 6"	8337 White / 8303 Gray	\$64.20	
<input type="checkbox"/>	Rigid Arm, 8", Dual Pivot Arm	8338 White / 8304 Gray	\$66.30	
<input type="checkbox"/>	Rigid Arm, 12"	8356 White / 8306 Gray	\$72.50	
<input type="checkbox"/>	Rigid Arm, 16"	8357 White / 8307 Gray	\$78.70	
<input type="checkbox"/>	Surface mount bracket vertical (for use with rigid arms)	8378 White / 8308 Gray	\$60.90	
<input type="checkbox"/>	Surface mount bracket horizontal (for use with rigid arms)	8379 White / 8309 Gray	\$60.90	
<input type="checkbox"/>	Surface mount bracket under counter mount (for use with rigid arms)	4289 White / 4291 Gray	\$67.30	
<input type="checkbox"/>	Post Mount, 2" (for use with rigid arms)	8259 White / 8253 Gray	\$72.50	
<input type="checkbox"/>	Post Top Mount, 2" (for use with rigid arms)	8489 White / 8294 Gray	\$141.30	

Step 4 Select Your Additional Options

<input type="checkbox"/>	Economy clean water system	8139QS	\$224.60	
<input type="checkbox"/>	Asepsis Dual clean water system	8178QS	\$364.40	



8634, 8294



8634, 8303, 8308



8634, 8304, 8303, 8308



8634, 8303, 4291



8634, 8304, 8294



8634, 8304, 8308

• Other mounting combinations possible

DCI II

COMPACT DELIVERY UNITS



- Can mount on 2" Post
- Precision Comfort® Syringe
- 6 ft. ½" Umbilical
- 4-Hole Straight Gray Tubing is Standard, with other tubing styles and colors available upon request.
- Dimensions: 6" x 4 1/4" x 2 1/4"

✓ - Standard Features - Choose Your Option

		Part Number	Retail Price	TOTAL
Step 1 Select Your Delivery Unit				
DCI II manual control for 2 handpiece, 2 Wet	<input type="checkbox"/>	4106	White	\$ 495.80
DCI II manual control for 2 handpiece 1 Wet & 1 Dry	<input type="checkbox"/>	4102	White	\$ 455.40

Step 2 Configure Your Control Head Options									
	<i>(All tubings are Gray. If nothing is selected - highlighted positions will be used)</i>	Part Number	Handpiece Positions					Retail Price	TOTAL
			0	1	2	3	4		
✓	DCI Precision Comfort Syringe and tubing							Included	
✓	HP Tubing 4 Hole Asepsis							Included	
<input type="checkbox"/>	ISO-C 6-Pin Standard 2 HP Illumination System (Includes a 9481 tubing)	9903						\$280.00	
<input type="checkbox"/>	ISO 5-Hole Standard 2 HP Illumination System (Includes a 9976 tubing)	9898						\$370.00	
<input type="checkbox"/>	ISO-C 6-Pin Economy HP Illumination System (Includes a 9481 tubing)	9878						\$230.00	
<input type="checkbox"/>	ISO 5-Hole Economy HP Illumination System (Includes a 9976 tubing)	9883						\$320.00	
<input type="checkbox"/>	Additional ISO-C 6-Pin Tubing Option for Illumination Systems	9481						\$174.00	
<input type="checkbox"/>	Additional ISO 5-Hole Tubing Option for Illumination Systems	9976						\$174.00	
✓	Individual Drive air controls							Included	
✓	Economy Foot Control							Included	
✓	6 foot of 1/2" Umbilical							Included	
<input type="checkbox"/>	Add scaler / chip air button to foot control	4346						\$80.00	



4102 / 4106

Step 3 Configure Your Mounting Style

		Part Number	Retail Price	TOTAL
<input type="checkbox"/>	Control Mount Bracket (for use with rigid arms)	8336 White / 8634 Gray	\$107.70	
<input type="checkbox"/>	Rigid Arm, 6"	8337 White / 8303 Gray	\$64.20	
<input type="checkbox"/>	Rigid Arm, 8", Dual Pivot Arm	8338 White / 8304 Gray	\$66.30	
<input type="checkbox"/>	Rigid Arm, 12"	8356 White / 8306 Gray	\$72.50	
<input type="checkbox"/>	Rigid Arm, 16"	8357 White / 8307 Gray	\$78.70	
<input type="checkbox"/>	Surface mount bracket vertical (for use with rigid arms)	8378 White / 8308 Gray	\$60.90	
<input type="checkbox"/>	Surface mount bracket horizontal (for use with rigid arms)	8379 White / 8309 Gray	\$60.90	
<input type="checkbox"/>	Surface mount bracket under counter mount (for use with rigid arms)	4289 White / 4291 Gray	\$67.30	
<input type="checkbox"/>	Post Mount, 2" (for use with rigid arms)	8259 White / 8253 Gray	\$72.50	
<input type="checkbox"/>	Post Top Mount, 2" (for use with rigid arms)	8489 White / 8294 Gray	\$141.30	

Step 4 Select Your Additional Options

<input type="checkbox"/>	Economy clean water system	8139QS	\$224.60	
<input type="checkbox"/>	Asepsis Dual clean water system	8178QS	\$364.40	



8634, 8303, 8306, 8253



8634, 8308



8634, 8304, 8303, 8308



8634, 8303, 4291



8634, 8304, 8294



8634, 8304, 8308

• Other mounting combinations possible

SPECIALTY UNIT

PANEL & HORIZONTAL-MOUNTED, 3 HP, AUTOMATIC DELIVERY UNITS



- Individual drive air & water coolant controls
- Precision Comfort® Syringe
- Wet/Dry foot control
- Control dimensions: 8 1/2" x 1 3/4" x 5"
- Cut-out dimensions: 7 1/2" x 1 1/2"
- Horizontal system can be mounted to top or bottom of surface
- 4-Hole Straight Gray Tubing is Standard, with other tubing styles and colors available upon request.

✓ - Standard Features □ - Choose Your Option

		Part Number	Retail Price	TOTAL
Step 1 Select Your Delivery Unit				
Panel Mount Automatic Control for 3 HP	<input type="checkbox"/>	4415	White	\$874.60
Horizontal Mount Automatic Control for 3 HP	<input type="checkbox"/>	4416	White	\$1045.40

Step 2 Configure Your Control Head Options									
	(All tubings are Gray . If nothing is selected - highlighted positions will be used)	Part Number	Handpiece Positions					Retail Price	TOTAL
			0	1	2	3	4		
✓	DCI Precision Comfort Syringe and tubing							Included	
✓	HP Tubing 4 Hole Asepsis							Included	
<input type="checkbox"/>	ISO-C 6-Pin Deluxe 3 HP Illumination System (Includes a 9481 tubing)	9886						\$530.00	
<input type="checkbox"/>	ISO 5-Hole Deluxe 3 HP Illumination System (Includes a 9976 tubing)	9891						\$620.00	
<input type="checkbox"/>	ISO-C 6-Pin Standard 2 HP Illumination System (Includes a 9481 tubing)	9903						\$280.00	
<input type="checkbox"/>	ISO 5-Hole Standard 2 HP Illumination System (Includes a 9976 tubing)	9898						\$370.00	
<input type="checkbox"/>	ISO-C 6-Pin Economy HP Illumination System (Includes a 9481 tubing)	9878						\$230.00	
<input type="checkbox"/>	ISO 5-Hole Economy HP Illumination System (Includes a 9976 tubing)	9883						\$320.00	
<input type="checkbox"/>	Additional ISO-C 6-Pin Tubing Option for Illumination Systems	9481						\$174.00	
<input type="checkbox"/>	Additional ISO 5-Hole Tubing Option for Illumination Systems	9976						\$174.00	
✓	Individual Drive air & water coolant controls							Included	
✓	Wet/Dry Foot Control							Included	
✓	6 foot of 1/2" Umbilical							Included	
<input type="checkbox"/>	Add scaler / chip air button to foot control	4346						\$80.00	



4415



4416

Step 3 Select Your Additional Options

<input type="checkbox"/>	Holder Bar, Under Counter Swing Mount, White	4445		\$144.90	
<input type="checkbox"/>	Asepsis Dual clean water system	8178QS		\$364.40	
<input type="checkbox"/>	Economy clean water system	8139QS		\$224.60	
<input type="checkbox"/>	Wall & Cabinet Mount Assistant's Instrumentation Premium Precision Comfort	5432		\$590.00	
<input type="checkbox"/>	Precision Comfort Assistant's Package, 2 HVE, SE, SYR	5364		\$367.50	
<input type="checkbox"/>	Vertical Mount Assistant's Holders, 4 Position	5373		\$96.30	



4445



8178QS



8139QS



5432



5373 / 5364

SPECIALTY UNIT

PANEL & HORIZONTAL-MOUNTED, 2 HP, MANUAL



- Individual drive air & water coolant controls
- Precision Comfort® Syringe
- Economy foot control
- Control dimensions: 8 1/2" x 1 3/4" x 5"
- Cut-out dimensions: 7 1/2" x 1 1/2"
- Horizontal system can be mounted to top or bottom of surface
- 4-Hole Straight Gray Tubing is Standard, with other tubing styles and colors available upon request.

✓ - Standard Features - Choose Your Option

		Part Number	Retail Price	TOTAL
Step 1 Select Your Delivery Unit				
Panel Mount Manual Control for 2 HP	<input type="checkbox"/>	4400	White	\$564.10
Horizontal Mount Manual Control for 2 HP	<input type="checkbox"/>	4401	White	\$631.40

Step 2 Configure Your Control Head Options									
	(All tubings are Gray. If nothing is selected - highlighted positions will be used)	Part Number	Handpiece Positions					Retail Price	TOTAL
			0	1	2	3	4		
✓	DCI Precision Comfort Syringe and tubing							Included	
✓	HP Tubing 4 Hole Asepsis							Included	
<input type="checkbox"/>	ISO-C 6-Pin Standard 2 HP Illumination System (Includes a 9481 tubing)	9903						\$280.00	
<input type="checkbox"/>	ISO 5-Hole Standard 2 HP Illumination System (Includes a 9976 tubing)	9898						\$370.00	
<input type="checkbox"/>	ISO-C 6-Pin Economy HP Illumination System (Includes a 9481 tubing)	9878						\$230.00	
<input type="checkbox"/>	ISO 5-Hole Economy HP Illumination System (Includes a 9976 tubing)	9883						\$320.00	
<input type="checkbox"/>	Additional ISO-C 6-Pin Tubing Option for Illumination Systems	9481						\$174.00	
<input type="checkbox"/>	Additional ISO 5-Hole Tubing Option for Illumination Systems	9976						\$174.00	
✓	Individual Drive air & water coolant controls							Included	
✓	Economy Foot Control							Included	
✓	6 foot of 1/2" Umbilical							Included	
<input type="checkbox"/>	Add scaler / chip air button to foot control	4346						\$80.00	



4400



4401

Step 3 Select Your Additional Options

<input type="checkbox"/>	Holder Bar, Under Counter Swing Mount, White	4445	\$144.90
<input type="checkbox"/>	Asepsis Dual clean water system	8178QS	\$364.40
<input type="checkbox"/>	Economy clean water system	8139QS	\$224.60
<input type="checkbox"/>	Wall & Cabinet Mount Assistant's Instrumentation Premium Precision Comfort	5432	\$590.00
<input type="checkbox"/>	Precision Comfort Assistant's Package, 2 HVE, SE, SYR	5364	\$367.50
<input type="checkbox"/>	Vertical Mount Assistant's Holders, 4 Position	5373	\$96.30



4445



8178QS



8139QS



5432



5373 / 5364

OEM REPLACEMENT UNITS



4378

Automatic Control Unit, 3 HP, for A-dec® Cascade®

The Arm Mounted Automatic Control Unit features a new, simplified design with straightforward internals such as a single diaphragm control block without any moving pistons, springs, or O-rings and a simple combination valve for water flow control. This unit is a direct replacement for A-dec® Cascade® models.

- Quick install that takes less than an hour
- Replacement for A-dec® Cascade®
- 12 ft. color matched internal umbilical
- Color matched to original A-dec® Surf
- Individual Non-retracting Water Coolant
- Includes Precision Comfort® Syringe

✓ - Standard Features - Choose Your Option

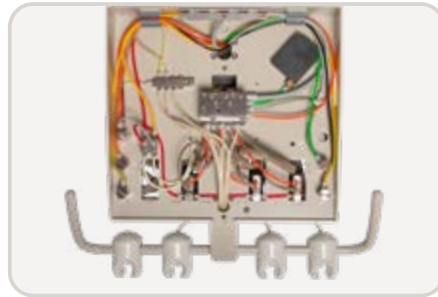
		Part Number	Retail Price	TOTAL
Step 1 Choose Your Delivery Unit				
Arm Mounted Automatic Control Unit for 3 HP, to Fit A-dec® Cascade®	<input type="checkbox"/>	4378	Surf	\$1,242.00

A-dec®, Cascade®, Decade® and A-dec 500® are registered trademarks of A-dec, Inc. DCI has no affiliation with A-dec and A-dec has not authorized DCI replacement parts to be used on or in connection with A-dec® products.



Direct Replacement

PN 4378, Arm-Mounted Automatic Control Unit is a direct replacement for all Cascade® models with a 2" head mount. The smooth asepsis design, sand color, and standard features make it perfect for replacing a standard Cascade® unit.



Simplified Design

The simplified design adds individual holders for easier upkeep and a more reliable robust mount.



Matching Features

This three HP automatic unit comes with an air/water syringe, individual water flow control, chip air adjustment, flush system, and brake activation on the left and right side of the head.

The Arm Mounted Automatic Control Unit comes standard with a full length 12' umbilical

If the original umbilical is damaged, string the new one to the junction box or cut the umbilical short. Then, match the colors and align them together at the upper 2" control mount.



4378

A-dec® and Cascade® are registered trademarks of A-dec®, Inc. These parts are manufactured by DCI to fit A-dec® equipment. DCI has no affiliation with A-dec® and A-dec® has not authorized DCI replacement parts to be used on or in connection with A-dec® products.

OEM REPLACEMENT UNITS



4446

Pelton & Crane® Executive Conversion Kit

Direct-fit replacement for Pelton & Crane® OEM Executive Unit with a modern upgrade. The P&C Executive Conversion Kit can also be used as a slide-out dental unit, on any cabinet with a 12.5" opening.

- Precision Comfort® Premium Autoclavable Vacuum Valves, 2 HVE, 1 SE
- Includes 8323 utility center
- Automatic handpiece holders w/ manual lockout toggle
- Variable speed disc-type foot control w/ wet/dry toggle
- Precision Comfort® three-way syringe
- Dimensions: 12 1/2" x 18" x 4 1/2"
- 6 ft. Umbilical

✓ - Standard Features - Choose Your Option

	Part Number	Retail Price	TOTAL
Step 1 Choose Your Delivery Unit			
Pelton & Crane Executive Conversion Kit	<input type="checkbox"/> 4446	\$2,882.10	

AUXILIARY QD PANEL & LAB HP KIT



6559



4198

Air & Water Auxiliary QD Panel

- 1/4" Water quick connect w/ flow control
- 3/8" Air quick connect w/ on/off switch
- Dimensions: 3" x 4"
- Available in white or gray

Laboratory Handpiece Control Kit

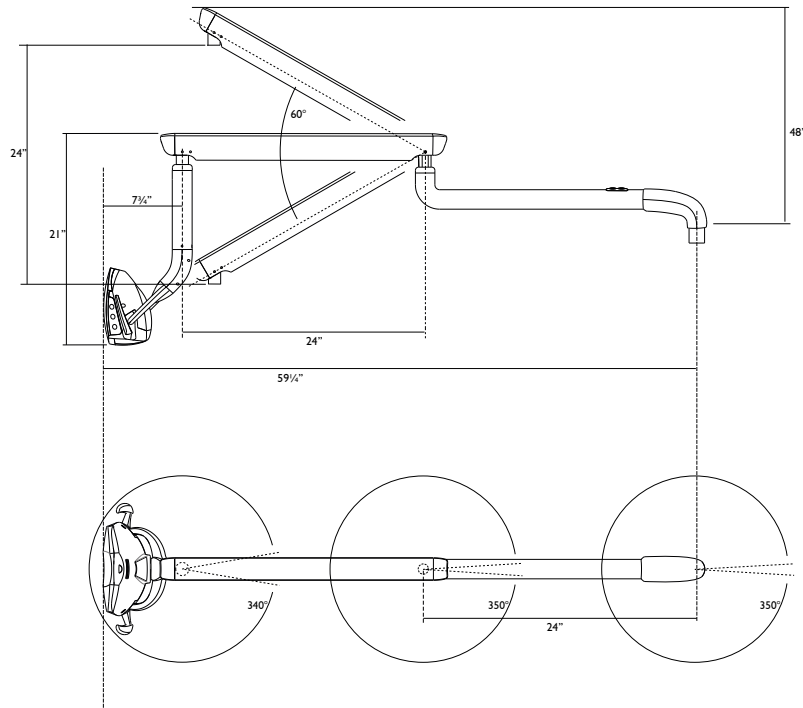
- Requires air only
- 4-hole handpiece tubing
- Handpiece holder & bar
- Economy foot control
- Air regulator w/ gauge

✓ - Standard Features - Choose Your Option

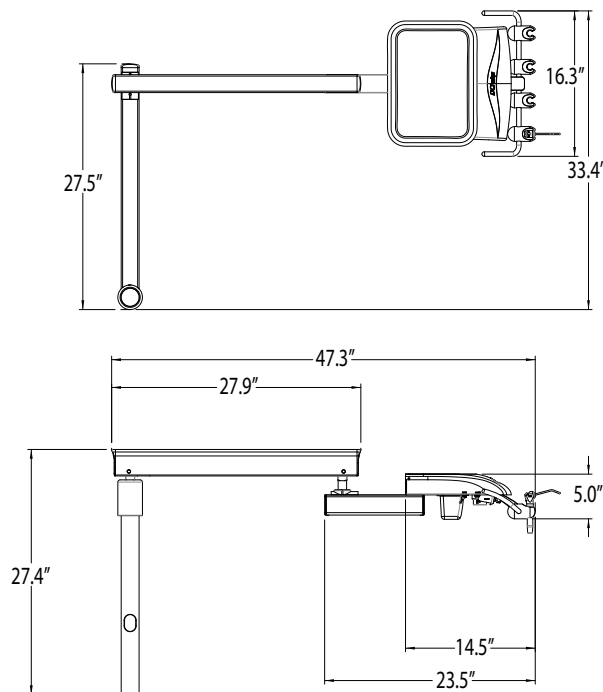
		Part Number	Retail Price	TOTAL
Step 1 Choose Your Delivery Unit				
Air & Water Auxiliary QD Panel	<input type="checkbox"/>	6569	White	\$190.00
	<input type="checkbox"/>	6559	Gray	\$190.00
Laboratory Handpiece Control Kit	<input type="checkbox"/>	4198	Gray	\$173.90

DIMENSIONAL DRAWINGS

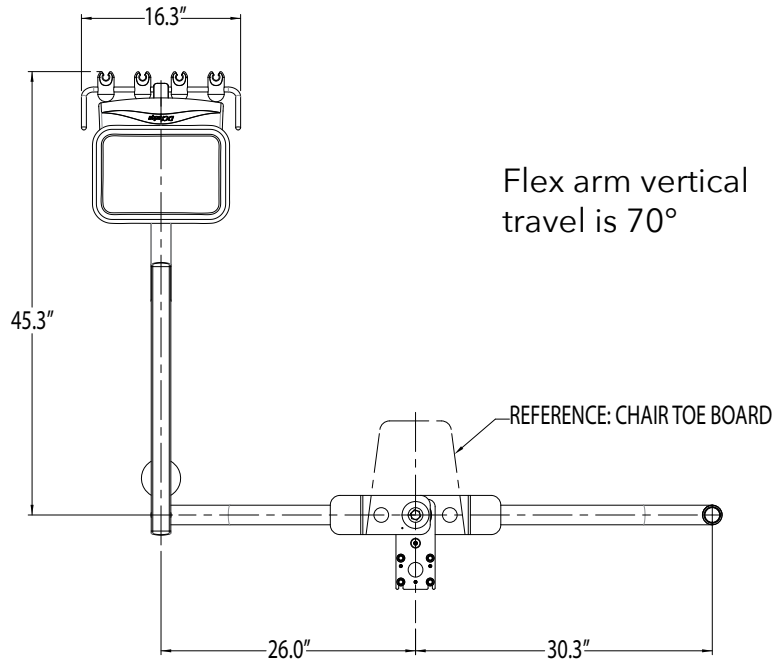
Reliance LED Operatory Post Mount Light



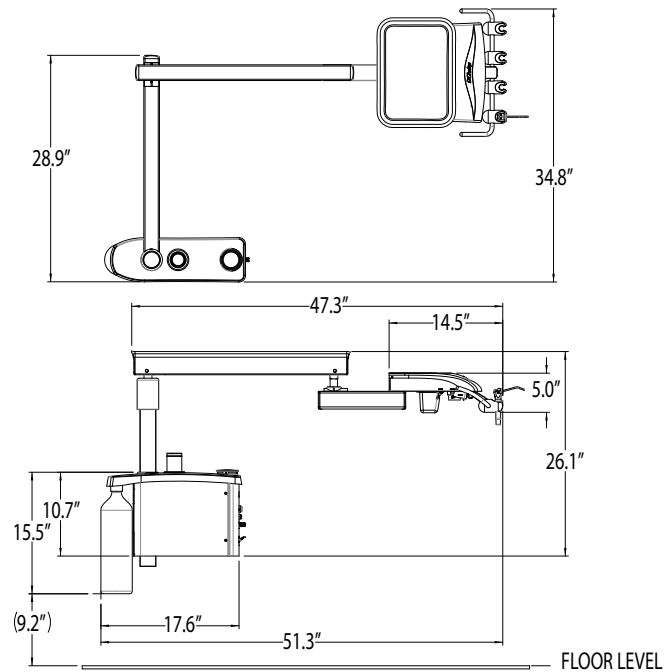
Reliance Over the Patient Automatic Delivery System



Reliance Swing Mount Pole w/ Automatic Delivery System & Light Pole

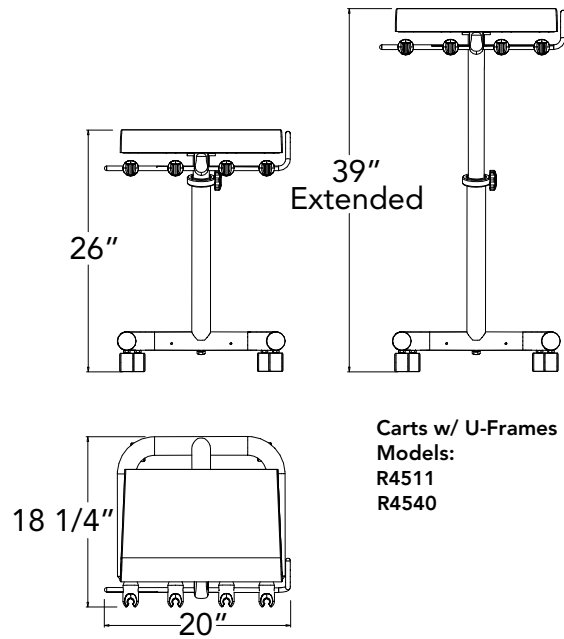


Reliance Over the Patient Automatic Delivery System w/ PMU & Assistant's Package

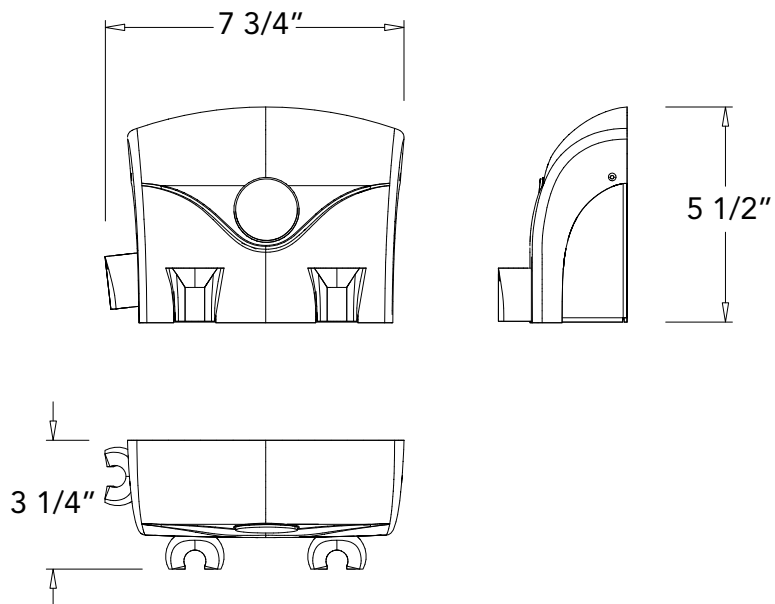


DIMENSIONAL DRAWINGS

Reliance Automatic Cart

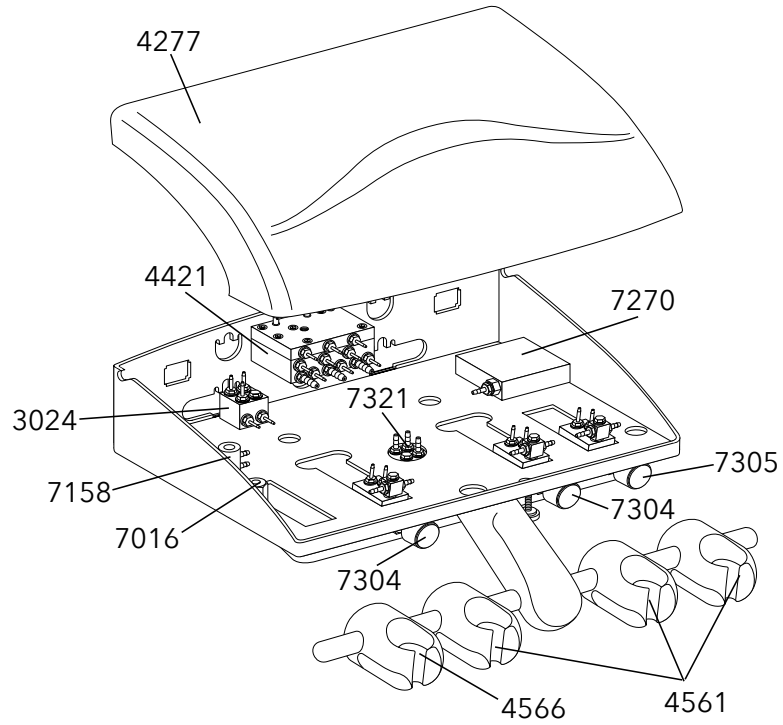


DCI III Manual Unit 4502

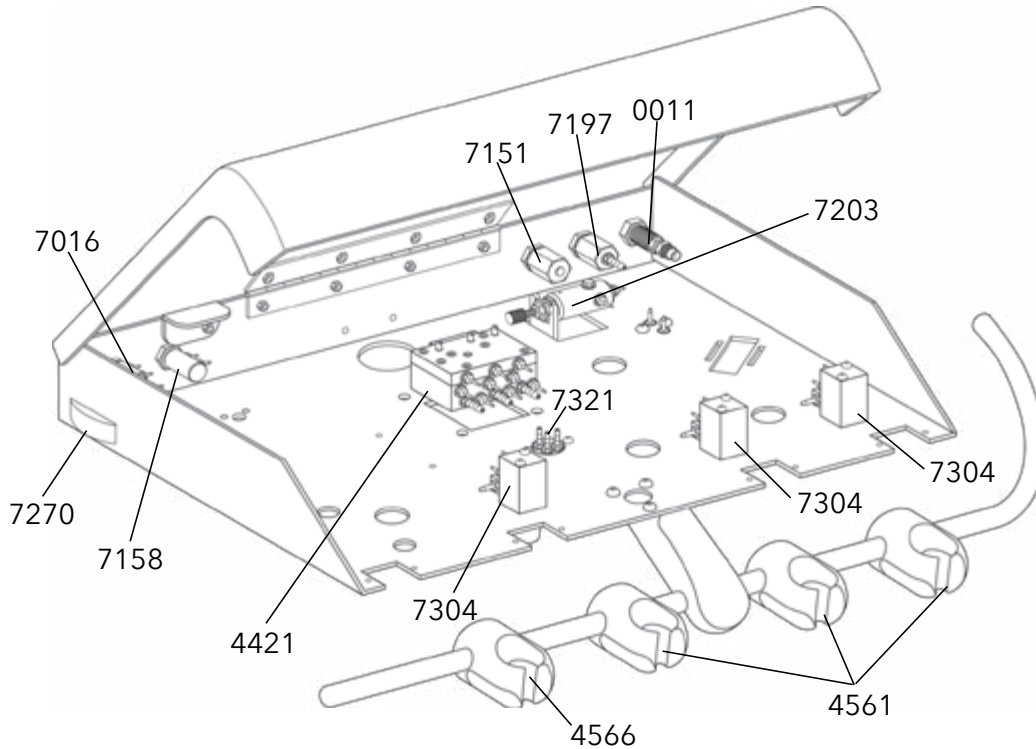


ILLUSTRATED PARTS BREAKDOWN

Reliance Automatic Control

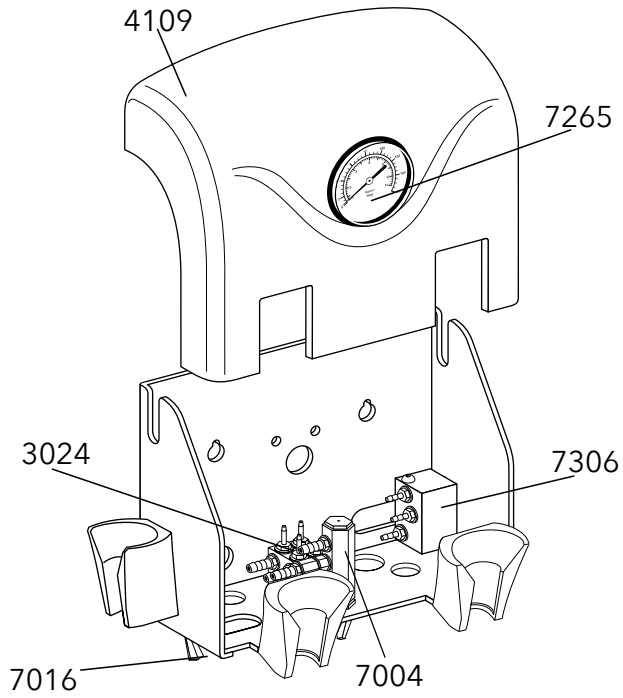


Reliance Automatic Cart Unit R4511, R4540 & R4542

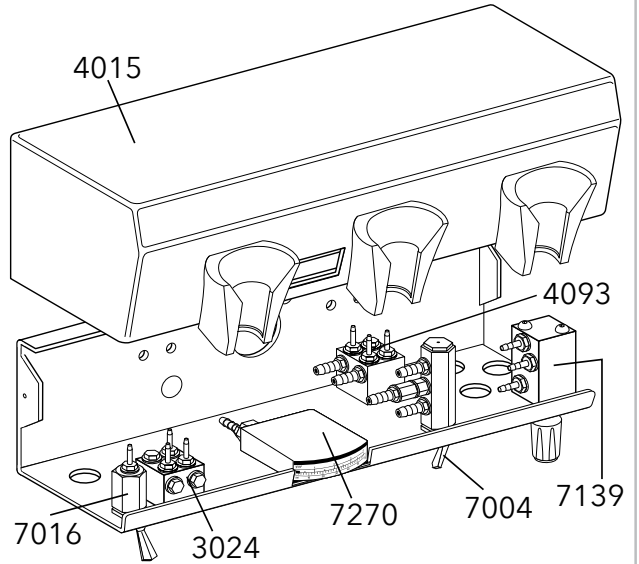


ILLUSTRATED PARTS BREAKDOWN

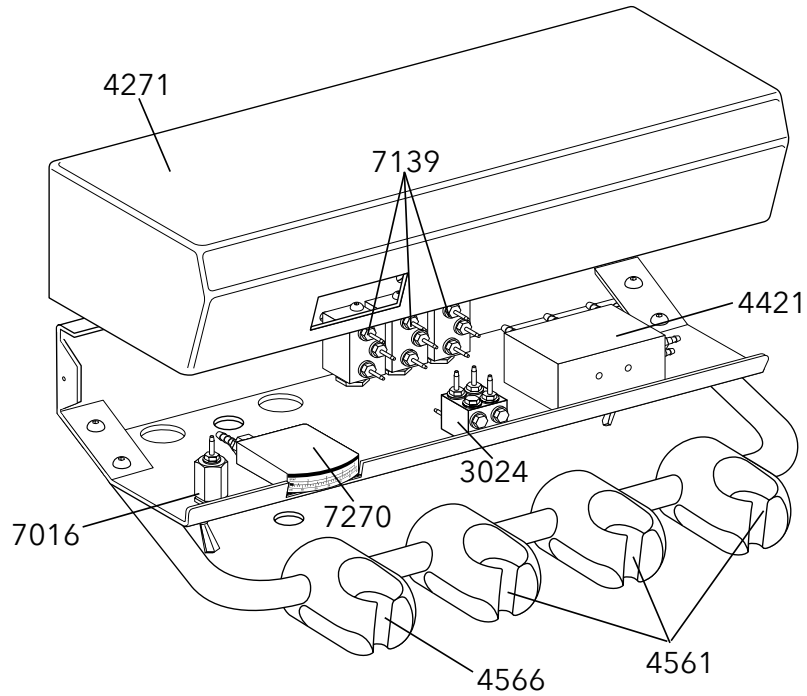
DCI III Manual Unit 4502



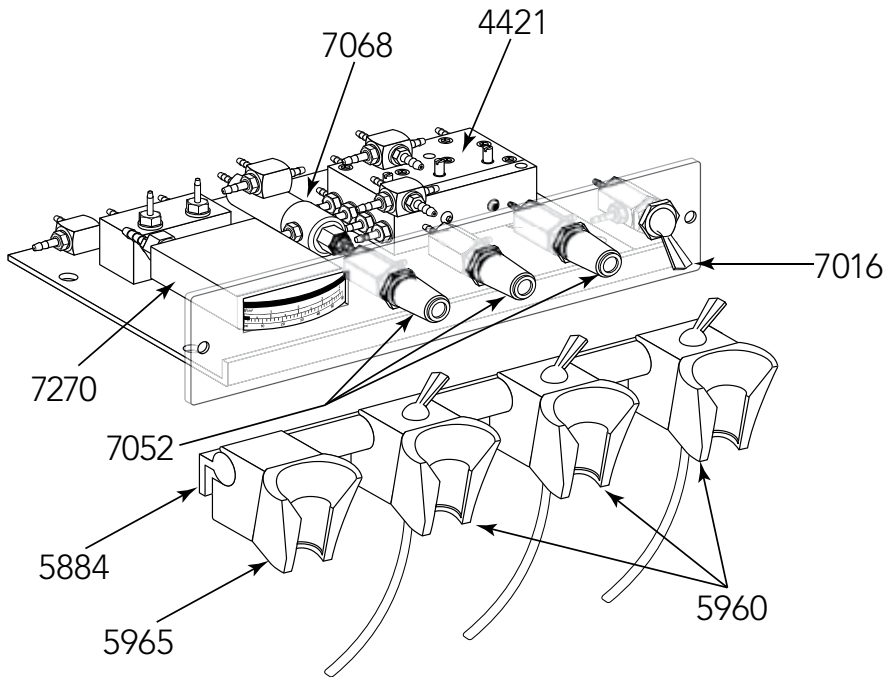
Alternative Manual Control 4120 & 4121



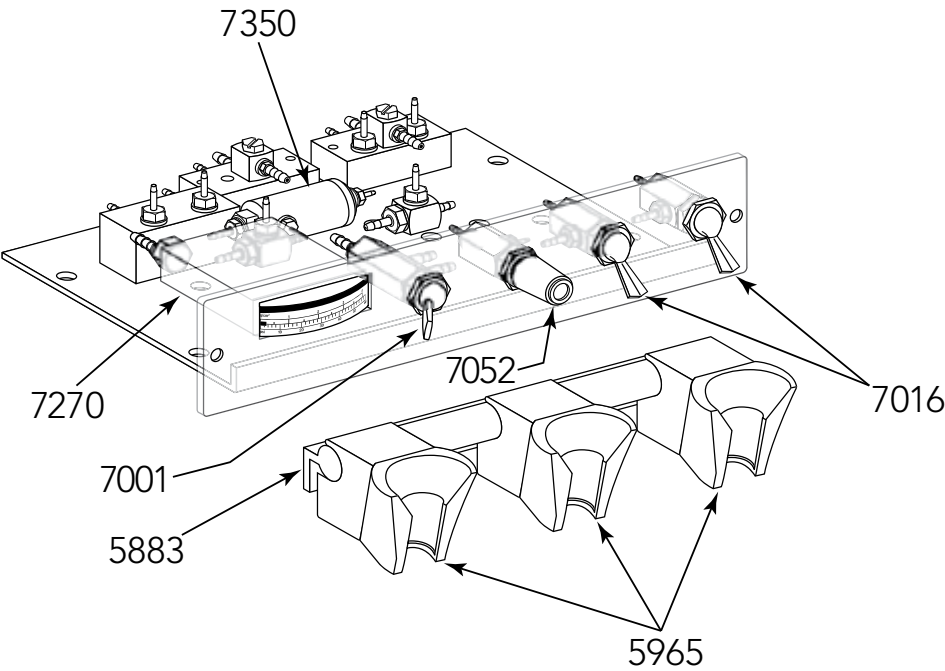
Alternative Automatic Control 4370



Panel & Horizontal Surface Mount Control 4415 & 4416



Panel & Horizontal Surface Mount Control 4400 & 4401



SHIPPING COSTS

Reliance Equipment will ship in accordance with current lead times. Delivery systems and equipment are shipped via UPS Ground or via Freight. Please contact Customer Service regarding current lead times.

TERMS

Net 30 days on approved accounts; Visa, Mastercard or American Express can be used until credit is approved.

RETURNED GOODS

Items must be in original condition to be eligible for return; no credit will be issued on used, installed, damaged or incomplete returns (no partial packages). Custom equipment, custom cabinets, custom colors, obsolete, discontinued and upholstery items will not be accepted for credit.

Returns will not be accepted outside of one year from the original invoice date. 15% Restocking fee will be applied on overstock Equipment returns.

Overstock Returns:

- ▶ Before returning the product, call DCI Customer Service for a Return Authorization Number. Please have the following information when you call:
 - Customer number
 - Part numbers and quantities for all return items

- The corresponding DCI invoice or order number
- ▶ Carefully package all return items to prevent shipping damage. Please contact DCI Customer Service for proper packaging materials if needed.
- ▶ Write the Return Authorization Number on the outside of the package and reference the number on any accompanying items and paperwork.
- ▶ Ship to DCI at the shipping address.

Warranty Returns:

- ▶ Before returning the product, call DCI Customer Service for a Return Authorization Number. Please have the following information when you call:
 - Reason for return/type of failure
 - Customer number
 - Part numbers and quantities for all return items
 - The corresponding DCI invoice or order number
- ▶ Write the Return Authorization Number on the outside of the package and reference the number on any accompanying items and paperwork.
- ▶ Ship to:
DCI
ATTN: Returns
305 N. Springbrook Road
Newberg, OR, 97132-0228, U.S.A.

THIRD PARTY TRADEMARK NOTICE

A-dec[®], Cascade[®], Century Plus[®], Century[®], Continental[®], Decade[®], Performer[®], Preference[®], Preference Collection[®], Radius[®], A-dec 500[®] and A-dec 300[®] are registered trademarks of A-dec[®], Inc. of Newberg, Oregon. Dentech[®] is a registered trademark of Alliance H., Inc. of Sumas, Washington. Midmark[®] is a registered trademark of Midmark Corp. of Versailles, Ohio. Tapmaster[®] is a registered trademark of Tapmaster Inc. of Calgary, Canada. Pelton & Crane[™] is a trademark of Pelton & Crane of Charlotte, North Carolina. Marus[™] is a trademark of Marus Dental International of Newberg, Oregon. DENTSPLY[®] is a registered trademark of DENTSPLY International Inc. of York, Pennsylvania. Belmont[®] is a registered trademark of Takara Belmont USA, Inc. of Somerset, New Jersey. Tuttnauer[®] is a registered trademark of Tuttnauer USA Company, Ltd. of Hauppauge, New York. DentaleZ[®] is a registered trademark of DentaleZ, Inc. of Malvern, Pennsylvania. SciCan[®] is a registered trademark of SciCan Ltd. of Canonsburg, Pennsylvania. RAMVAC[®] is a registered trademark of RAMVAC Dental Products, Inc. of Spearfish, South Dakota. The parts described in this catalog are manufactured by DCI to fit products manufactured and sold by third parties under the foregoing third party trademarks.

CONTACT US



www.dcionline.com



customerservice@dcionline.com



800-624-2793

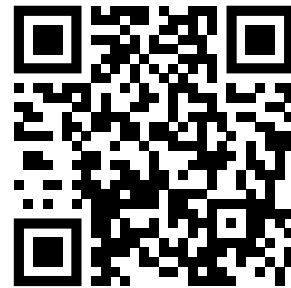


503-538-9302

** For specials or custom configuration of standard product, please call or email for price quote.*

GIVE US FEEDBACK

Scan the code & let us know what changes or additions you would like to see in our future product offerings.





FOR THE LATEST VERSIONS, CHECK OUT OUR
ONLINE ORDER RELIANCE ORDER GUIDE AND PARTS CATALOG

RELIANCE ORDER GUIDE



PARTS CATALOG



DCI Corporate Office
305 N Springbrook Road
Newberg, OR 97132
customerservice@dcionline.com
1-844-854-8555
Mon to Fri 5am-5pm PST



dcionline.com
2397/April 2022-001
©2022 DCI