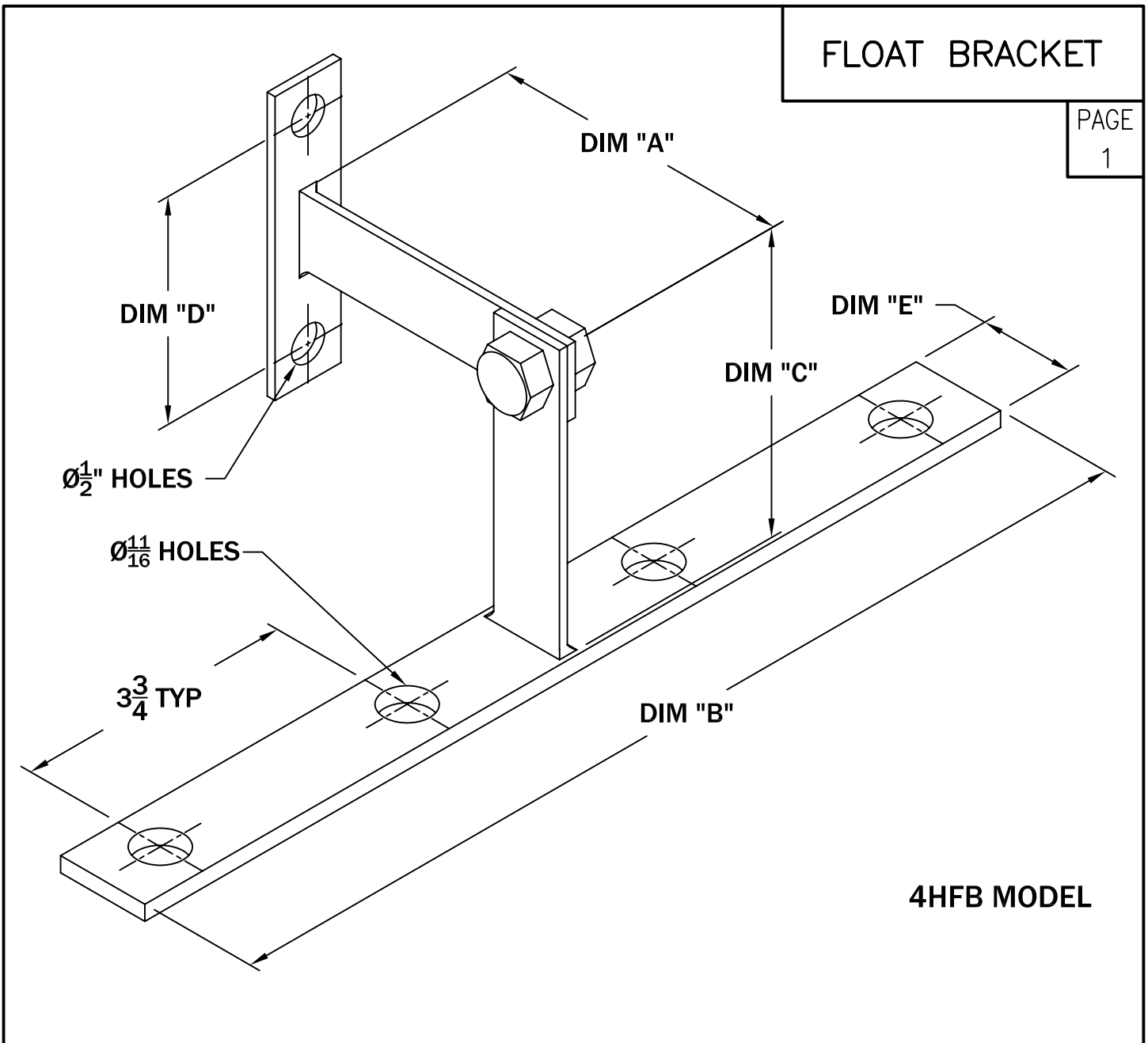


FLOAT BRACKET



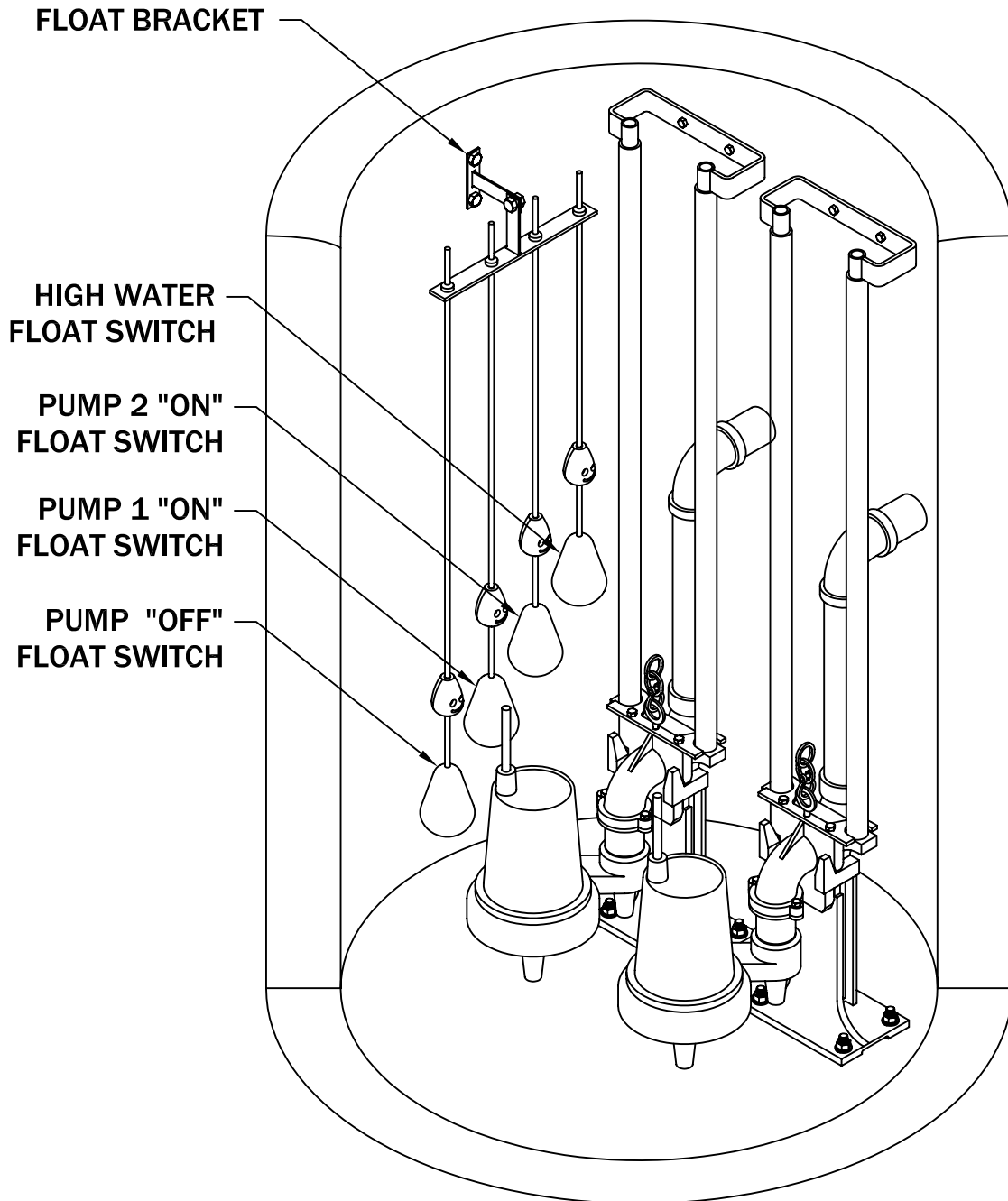
4HFB MODEL

MODEL NO.	DIA. "A"	DIM "B"	DIM "C"	DIM "D"	DIM "E"
4HFB	4"	13"	4"	3"	1 9/32"
6HFB	4"	20 1/2"	4"	3"	1 9/32"

ALL INFORMATION CONTAINED IN THIS DRAWING IS
CONFIDENTIAL AND PROPRIETARY TO CONERY MFG, INC.



CHANGES	TOLERANCES	DRAWN BY	DATE	SPECIFICATION SHEET DIMENSIONAL DATA	
F	DECIMALS .xxx = ±.005 .xx = ±.010 FRACTIONAL x/x = ±.1/64 ANGLES x' = ±1/2"	D. MIDDLETON	03/22/04	SCALE:	PART NO.
E		MATERIAL SPECIFICATION: 300 SERIES SST		HALF	"H" STYLE
D					
C					
B					
A					



ALL INFORMATION CONTAINED IN THIS DRAWING IS
CONFIDENTIAL AND PROPRIETARY TO CONERY MFG, INC.



CHANGES	TOLERANCES	DRAWN BY	DATE
F	DECIMALS .XXX = ±.005 .XX = ±.010 FRACTIONAL X/X = ±.1/64 ANGLES X° = ±1/2°	D. MIDDLETON	03/22/04
E		MATERIAL SPECIFICATION: 300 SERIES SST	
D			
C			
B			
A			

SPECIFICATION SHEET DIMENSIONAL DATA	
SCALE:	PART NO.
HALF	"H" STYLE