



Pearl

MXA

Horizontal Multi-Stage Pumps

Features

Extra safety against running dry with the suction port above pump axis.

Robust single-piece barrel casing.

Compact single-piece lantern bracket and base.

Low noise with the water-filled shroud around the stages.

Applications

- For water supply.
- For domestic use, for garden use and irrigation.

Operating Conditions

- Liquid temperature: 32 °F to 95 °F.
- Ambient temperature up to 104 °F.
- Maximum permissible pressure in the pump casing: 116 psi.
- Continuous duty.

Construction

- Horizontal multi-stage, self-priming, close coupled pump.
- Single-piece barrel casing in chrome-nickel stainless steel, with front suction port above pumps axis and radial delivery at top.
- Stages in Noryl.
- Connections: threaded ports NPT.

Motor

- 2-pole induction motor, 60 Hz ($n \approx 3450$ rpm).
- Three-phase 230/460 V.
- Single-phase 115/230 V, 115 V, 230 V.
- Capacitor inside the terminal box.
- Insulation class F.
- Protection IP 44.

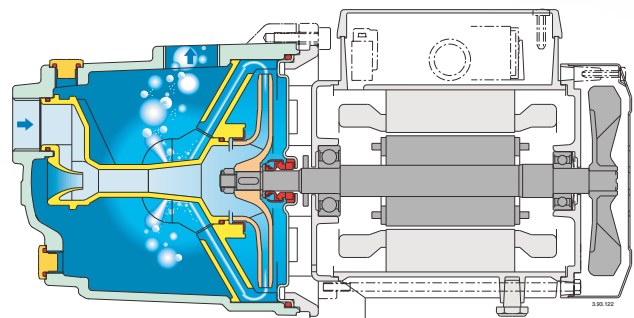
Special Features on request

Other voltages



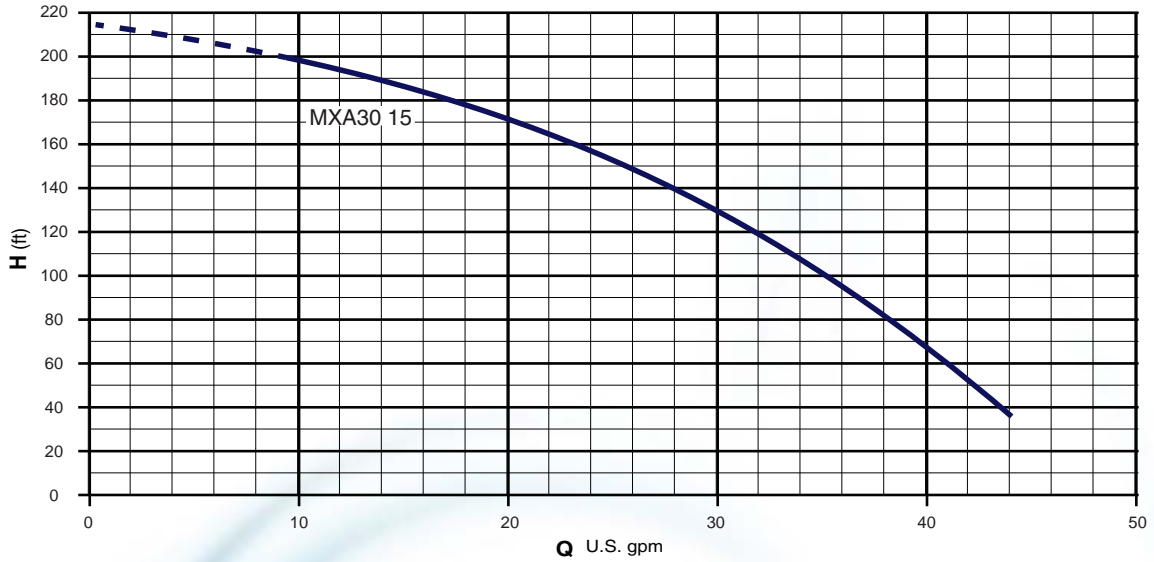
Materials

COMPONENT	MATERIAL
Pump Casing	Cr-Ni steel 1.4301 EN 10088 (AISI 304)
Casing Cover	Cr-Ni steel 1.4301 EN 10088 (AISI 304)
Pump Shaft	Chrome Steel 1.4104 EN 10088 (AISI 430)
Plug	Cr-Ni steel 1.4305 EN 10088 (AISI 303)
Stage Casing	PPO-GF20 (Noryl)
Impeller	PPO-GF20 (Noryl)
Suction Casing	PPO-GF20 (Noryl)
Mechanical Seal	Carbon - Ceramic - NBR



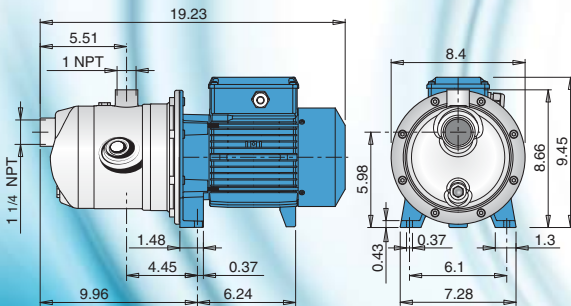
Above Ground Pearl Pumps

Characteristics Curves | n = 3450 rpm

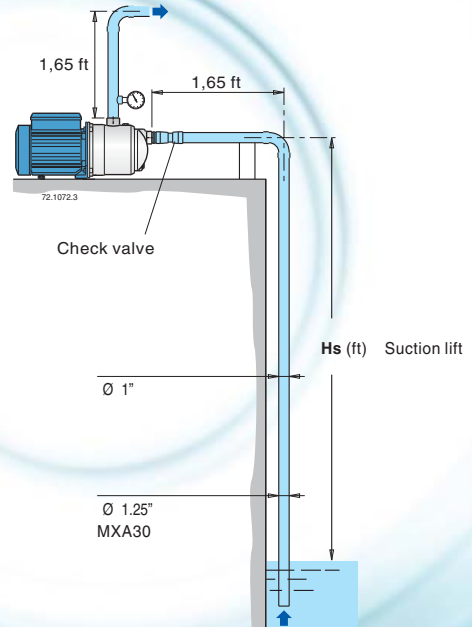


Weights and Dimensions

MODEL	NET WEIGHT lb	
	3 ~	1 ~
MXA30 15	37.9	39.5



Installation



Nominal Currents

MODEL	P2 HP	3 ~		1 ~			
		230 / 460V In A	I _A / I _N	115V In A	230V In A	115 / 230V In A	I _A / I _N
MXA30 15	1.5	8.3/4.8	5.4	-	10.6	-	3.8

P2 Rated motor power output | I_A / I_N D.O.L. starting current / Rated current.