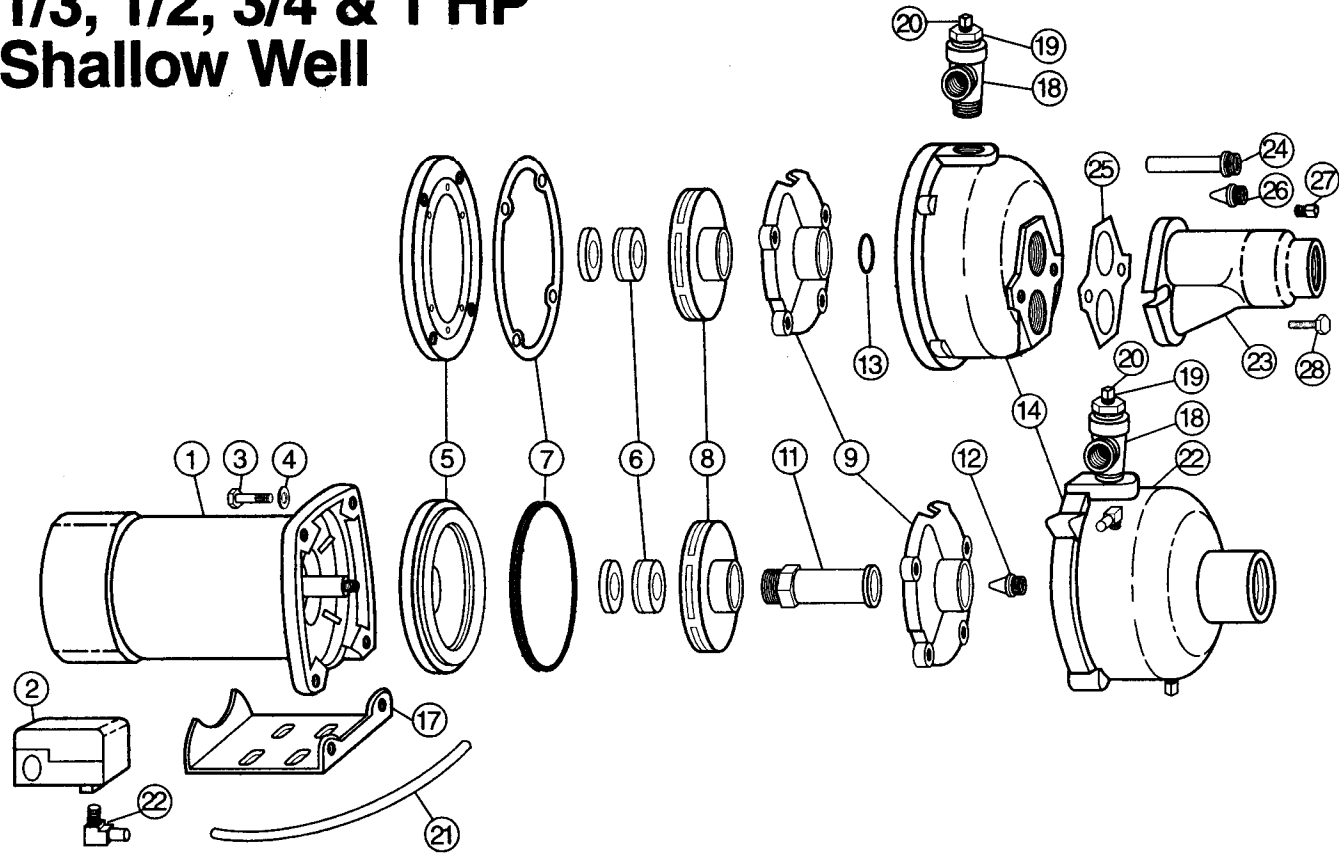


HT/HR Series Ejecto Pumps Parts List

1/3, 1/2, 3/4 & 1 HP

Shallow Well

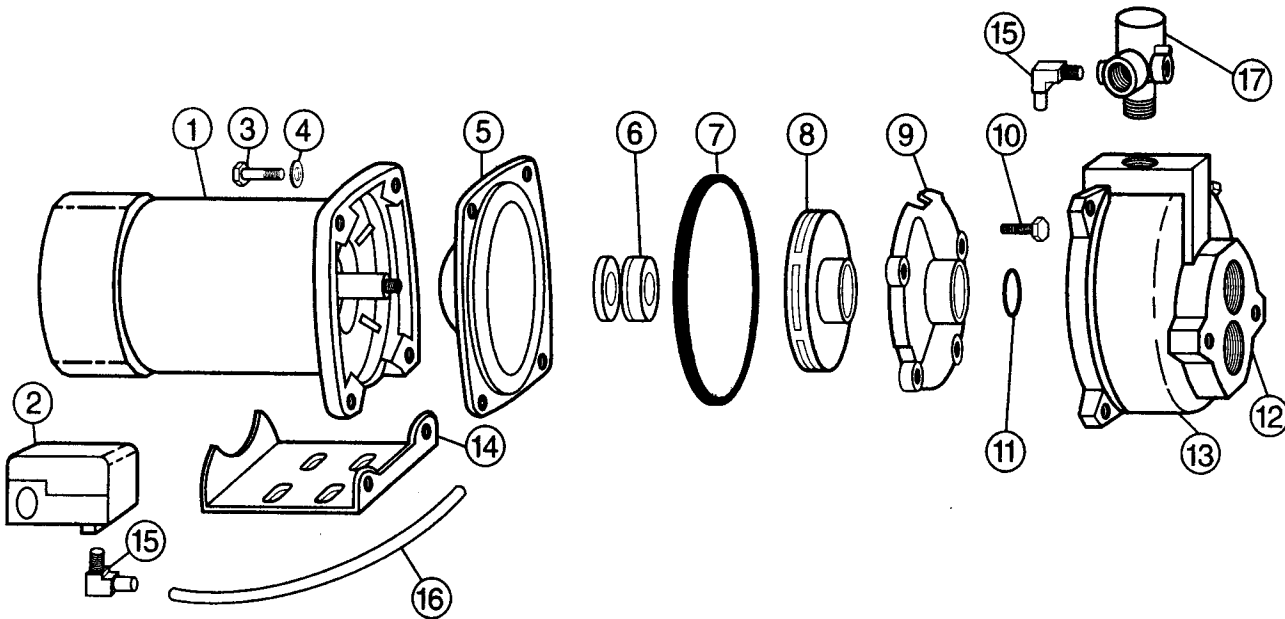


Ref. No.	Description	Part No. for 1/3 HP units	Part No. for 1/2 HP units	Part No. for 3/4 HP units	Part No. for 1 HP units
1	Motor - 115/230 V	24425A000	24426A000	24427A000	24428A000
2	Switch, Pressure	15760A003	15760A003	15760A003	15760A003
	Nut, Conduit Nipple	08715A000	08715A000	08715A000	08715A000
	Nipple, Conduit	15021A001	15021A001	15021A001	15021A001
3	Screws - 4 Req'd.	19101A022	19101A022	19101A026	19101A026
4	Lockwasher - 4 Req'd.	05454A007	05454A007	05454A007	05454A007
5	Plate, Seal - CAST IRON	24452C000	24452C000	24402C004	24402C004
6	Seal, Rotary - COMPLETE	14525A000	14525A000	14525A000	14525A000
7	Gasket	05014A157	05014A157	05014A157	05014A157
8	Impeller - Plastic	16621B010	16622B010	19195B004	—
	Impeller - Brass	17681B003	17682B003	19195B000	19196B000
9	Diffuser	12370B000	12371B000	14379B000	14380B000
10	Screws - 3 Req'd.	19099A023	19099A023	19099A023	19099A023
11	Venturi	25886A406	25886A406	—	—
12	Nozzle	12366A000	12366A000	—	—
13	O-Ring	—	—	05876A087	05876A087
14	Case	24357D000	24357D000	24359D000	24359D000
15	Plugs, 1/8" NPT - 2 Req'd.	05022A004	05022A004	—	—
16	Plugs, 1/8" NPT - 3 Req'd.	—	—	05022A004	05022A004
17	Stand, Motor	25383B000	25383B000	25383B000	25383B000
18	Tee	05002A001	05002A001	05002A004	05002A004
19	Bushing	05004A016	05004A016	—	—
20	Plug	05022A009	05022A009	05022A007	05022A007
21	Tube	10649A123	10649A123	10649A123	10649A123
22	Fitting, 1/4" NPT - 1 Req'd.	23188A002	23188A002	23188A002	23188A002
	Fitting, 1/8" NPT - 1 Req'd.	23188A001	23188A001	23188A001	23188A001
—	Package, Tee - ITEMS 18-22 COMPLETE	15285A022	15285A022	15285A022	15285A022
23	Body, Ejecto	—	—	19865D001	19865D001
24	Venturi	—	—	19199A001	19199A001
25	Gasket	—	—	19277A000	19277A000
26	Nozzle	—	—	08546A004	08546A004
27	Plug - 1 Req'd.	—	—	05022A004	05022A004
28	Screws - 2 Req'd.	—	—	19103A0326	19103A036
29	Package, Ejecto - ITEMS 23-28 COMPLETE	—	—	15285A029	15285A030
—	Package, Boxed Ejecto, including foot valve assembly (Cast Iron) NOT SHOWN	19861C000	19862C000	19863C000	19864C000

HT/HR Series Ejecto Pumps Parts List

1/3, 1/2, 3/4 & 1 HP

Deep Well



Ref. No.	Description	Part No. for 1/3 HP units	Part No. for 1/2 HP units	Part No. for 3/4 HP units	Part No. for 1 HP units
1	Motor - 115/230 v.	24425A000	24426A000	24427A000	24428A000
2	Switch, Pressure	15760A003	15760A003	15760A003	15760A003
	Nut, Conduit Nipple	08715A000	08715A000	08715A000	08715A000
	Nipple, Conduit	15021A001	15021A001	15021A001	15021A001
3	Screws - 4 Req'd.	19101A022	19101A022	19101A026	19101A026
4	Lockwasher - 4 Req'd.	05454A007	05454A007	05454A007	05454A007
5	Plate, Seal - CAST IRON	24452C000	24452C000	24402C004	24402C004
6	Seal, Rotary - COMPLETE	14525A000	14525A000	14525A000	14525A000
7	Gasket	05014A157	05014A157	24404B000	24404B000
8	Impeller - Plastic	16621B010	16622B010	19195B004	—
	Impeller - Brass	17681B003	17682B003	19195B000	19196B000
9	Diffuser	12370B000	12371B000	14379B000	14380B000
10	Screws - 3 Req'd.	19099A023	19099A023	19099A023	19099A023
11	O-Ring	05876A003	05876A003	05876A087	05876A087
12	Case, Pump	24358D000	24358D000	24359D000	24359D000
13	Plugs, 1/8" NPT - 3 Req'd.	05022A004	05022A004	05022A004	05022A004
14	Stand, Motor	25383B001	25383B001	25383B001	25383B001
15	Fitting, 1/4" NPT - 2 Req'd.	23188A002	23188A002	23188A002	23188A002
	Fitting, 1/8" NPT - 1 Req'd.	23188A001	23188A001	23188A001	23188A001
16	Tube, Pressure Switch	10649A120	10649A120	10649A120	10649A120
17	REGULATOR - REFER TO SECTION 1020, PAGE 21	24349B000	13980A001	13980A001	13980A001
18	Package, Regulator - Consists of ref. nos. 15 thru 17	15285A014	15285A014	15285A023	15285A023

Myers®

F.E. Myers, 1101 Myers Parkway, Ashland, Ohio 44805-1969
419/289-1144 • FAX: 419/289-6658 • TLX: 98-7443