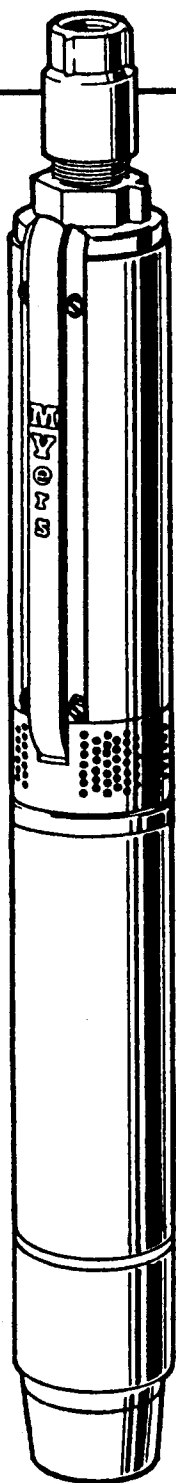
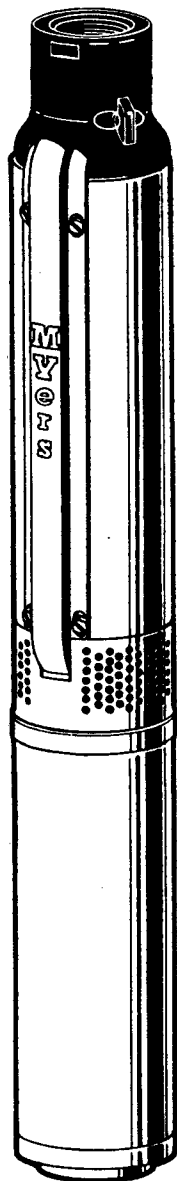


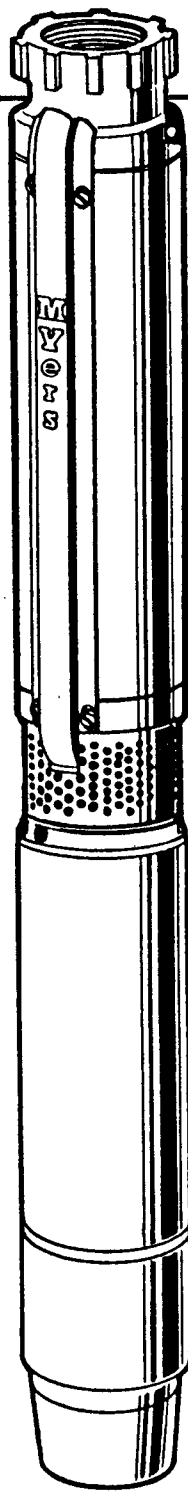
4" Submersible Pumps Parts List



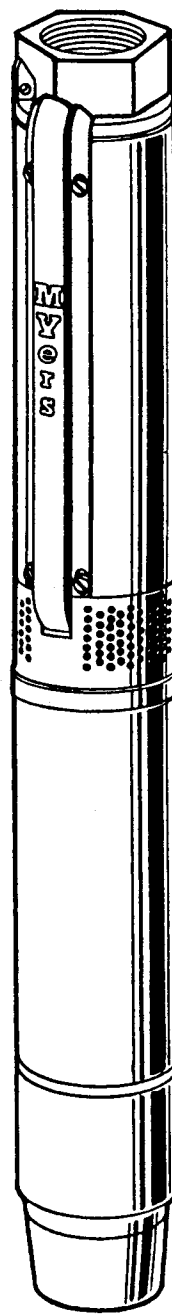
Predator, Predator II,
Irr-a-gator and
Raider



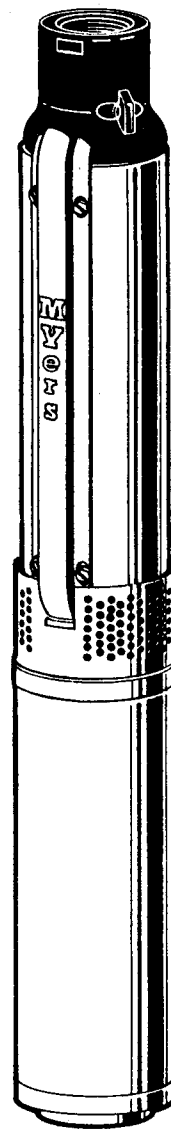
Rustler



SJ Extension



Ranger



Thinline

PREDATOR

HP	CAT. NO.	ENG. NO.	GPM	NO. OF STAGES	PAGE NO.
1/3	J34P	23270D301	4	9	266
1/2	J54P	23274D301		13	266
3/4	J74P	23278D301		16	266
1	J104P	23282D301		20	266
1 1/2	J154P	23286D301		27	266
1/3	J38P	23271D301	8	6	266
1/2	J58P	23275D301		9	266
3/4	J78P	23279D301		12	266
1	J108P	23283D301		15	266
1 1/2	J158P	23287D301		20	266
1/3	J311P	23272D301	11	5	266
1/2	J511P	23276D301		8	266
3/4	J711P	23280D301		10	266
1	J1011P	23284D301		12	266
1 1/2	J1511P	23288D301		17	266
1/2	J518P	23277D301	18	5	266
3/4	J718P	23281D301		6	266
1	J1018P	23285D301		8	266
1 1/2	J1518P	23289D301		11	266
1/2	J520P	25232D301		20	5
3/4	J720P	25233D301	7		266
1	J1020P	25234D301	9		266
1 1/2	J1520P	25235D301	11		266

PREDATOR II

HP	CAT. NO.	ENG. NO.	GPM	NO. OF STAGES	PAGE NO.
1/3	J34P-B*	23270D201	4	9	268
1/2	J54P-B*	23274D201		13	268
3/4	J74P-B*	23278D201		16	268
1	J104P-B*	23282D201		20	268
1 1/2	J154P-B*	23286D201		27	268
1/3	J35P-B	23270D231	5	8	268
1/2	J55P-B	23274D231		11	268
3/4	J75P-B	23278D231		15	268
1	J105P-B	23282D231		19	268
1 1/2	J155P-B	23286D231		26	268
1/3	J38P-B	23271D201	8	6	268
1/2	J58P-B	23275D201		9	268
3/4	J78P-B	23279D201		12	268
1	J108P-B	23283D201		15	268
1 1/2	J158P-B	23287D201		20	268
2	J208P-B	23312D231	24	268	
3	J308P-B	23673D231	33	268	
1/3	J311P-B*	23272D201	11	5	268
1/2	J511P-B*	23276D201		8	268
3/4	J711P-B*	23280D201		10	268
1	J1011P-B*	23284D201		12	268
1 1/2	J1511P-B*	23288D201		17	268
1/3	J312P-B	23272D231	12	4	268
1/2	J512P-B	23276D231		7	268
3/4	J712P-B	23280D231		9	268
1	J1012P-B	23284D231		11	268
1 1/2	J1512P-B	23288D231		16	268
2	J2012P-B	23313D231	19	268	
3	J3012P-B	23674D231	25	268	
1/2	J520P-B	25232D201	20	4 **	268
3/4	J720P-B	25233D201		6 **	268
1	J1020P-B	25234D201		8 **	268
1 1/2	J1520P-B	25235D201		11	268
2	J2020P-B	25236D231		14	268
3	J3020P-B	25237D231	18	268	
5	J5020P-B	25238D231	29	268	

*These units are no longer manufactured.
** These units may have one more stage than listed.

PREDATOR ST

HP	CAT. NO.	ENG. NO.	GPM	NO. OF STAGES	PAGE NO.
1/3	ST3-5	26311B003	5	8	270
1/2	ST5-5	26311B005		11	270
3/4	ST7-5	26311B007		15	270
1	ST10-5	26311B010		19	270
1 1/2	ST15-5	26311B015		26	270
1/3	ST3-8	26311B103	8	6	270
1/2	ST5-8	26311B105		9	270
3/4	ST7-8	26311B107		12	270
1	ST10-8	26311B110		15	270
1 1/2	ST15-8	26311B115		20	270
2	ST20-8	26311B120	24	270	
3	ST30-8	26311B130	33	270	
1/3	ST3-12	26311B203	12	4	270
1/2	ST5-12	26311B205		7	270
3/4	ST7-12	26311B207		9	270
1	ST10-12	26311B210		11	270
1 1/2	ST15-12	26311B215		16	270
2	ST20-12	26311B220	19	270	
3	ST30-12	26311B230	25	270	
5	ST50-12	26311B250	37	270	
1/2	ST5-20	26311B305	20	4	270
3/4	ST7-20	26311B307		6	270
1	ST10-20	26311B310		8	270
1 1/2	ST15-20	26311B315		11	270
2	ST20-20	26311B320		14	270
3	ST30-20	26311B330	18	270	
5	ST50-20	26311B350	29	270	
1	ST10-25	26311B410	25	7	270
1 1/2	ST15-25	26311B415		9	270

RUSTLER (REPAIRABLE DESIGN)

HP	CAT. NO.	ENG. NO.	GPM	NO. OF STAGES	PAGE NO.
1/2	N55	23274D731	5	11	272
3/4	N75	23278D731		15	272
1	N105	23282D731		19	272
3/4	N75R†	23279D781		5	15
1	N105R	23283D781	5	19	272
1/2	N58*	23276D701	6	12	272
3/4	N76*	23280D701		15	272
1	N106*	23284D701		19	272
1	N106R*	23288D751		6	19
3/4	N78R	23281D781	8	12	272
1	N108R	23285D781		15	272
1 1/2	N158R	23289D781		20	272
1/2	N510*	25232D701	10	7	272
3/4	N710*	25233D701		9	272
1	N1010*	25234D701		11	272
1/2	N512	25232D731	12	7	272
3/4	N712	25233D731		9	272
1	N1012	25234D731		11	272
1 1/2	N1512R	25235D781	12	16	272
1	N1018*	25234D701		18	7
1	N1020	25234D731	20	8	272
1 1/2	N1520R	25235D781		20	11
1	N1025R	26592D410	25	7	272
1 1/2	N1525R	26592D415		25	9
2	N2025R	26592D420	25	11	272

*These units are no longer manufactured.
† This unit may be repairable (see above).

RUSTLER (NON-REPAIRABLE LASER WELDED DESIGN)

HP	CAT. NO.	ENG. NO.	GPM	NO. OF STAGES	PAGE NO.
1/2	N55R	23274D781	5	11	272
3/4	N75R†	23278D781		15	272
1/2	N58R*	23274D751	6	12	272
3/4	N76R*	23278D751		15	272
1/2	N58R	23275D781	8	12	272
1/2	N510R*	23276D751		10	7
3/4	N710R*	23280D751	9		272
1	N1010R*	23284D751	11	272	
1/2	N512R*	23276D781	12	7	272
3/4	N712R*	23280D781		9	272
1	N1012R*	23284D781		11	272
1	N1018R*	34385D751	18	7	272
1	N1020R	23285D781		20	8

*These units are no longer manufactured.
† This unit may be repairable (see above).

SJ EXTENSION

HP	CAT. NO.	ENG. NO.	GPM	NO. OF STAGES	PAGE NO.
1	J1025	23835D039	25	7	280
1 1/2	J1525	23835D001		9	280
2	J2025	23835D003		11	280
3	J3025	23835D005		15	280
5	J5025	23835D007		25	280
7 1/2	J7525	23835D009		37	280
1 1/2	J1535	23835D011	35	6	280
2	J2035	23835D013		8	280
3	J3035	23835D015		11	280
5	J5035	23835D017		18	280
7 1/2	J7535	23835D019		28	280
1 1/2	J1550	23835D021		50	6
2	J2050	23835D023	7		280
3	J3050	23835D025	10		280
5	J5050	23835D027	16		280
7 1/2	J7550	23835D029	25		280
2	J2080	23835D031	80		6
3	J3080	23835D033		9	280
5	J5080	23835D035		14	280
7 1/2	J7580	23835D037		22	280

RANGER (SST)

HP	CAT. NO.	ENG. NO.	GPM	NO. OF STAGES	PAGE NO.
1	SS10-25	26313D410	25	7	282
1 1/2	SS15-25	26313D415		9	282
2	SS20-25	26313D420		11	282
3	SS30-25	26313D430		15	282
5	SS50-25	26313D450		25	282
7 1/2	SS75-25	26313D475		37	282
1	SS10-35	26313D510	35	4	282
1 1/2	SS15-35	26313D515		6	282
2	SS20-35	26313D520		8	282
3	SS30-35	26313D530		11	282
5	SS50-35	26313D550		18	282
7 1/2	SS75-35	26313D575		28	282
10	SS100-35	26313D595	37	282	
1 1/2	SS15-50	26313D615	50	6	282
2	SS20-50	26313D620		7	282
3	SS30-50	26313D630		10	282
5	SS50-50	26313D650		16	282
7 1/2	SS75-50	26313D675		25	282
10	SS100-50	26313D695		32	282
2	SS20-80	26313D720	80	6	282
3	SS30-80	26313D730		9	282
5	SS50-80	26313D750		14	282
7 1/2	SS75-80	26313D775		22	282
10	SS100-80	26313D795		27	282

RANGER (BRASS)

HP	CAT. NO.	ENG. NO.	GPM	NO. OF STAGES	PAGE NO.
1	J1025B	26035D001	25	7	284
1 1/2	J1525B	26035D003		9	284
2	J2025B	26035D005		11	284
3	J3025B	26035D007		15	284
5	J5025B	26035D009		25	284
7 1/2	J7525B	26035D011		37	284
1	J1035B	26035D013	35	4	284
1 1/2	J1535B	26035D015		6	284
2	J2035B	26035D017		8	284
3	J3035B	26035D019		11	284
5	J5035B	26035D021		18	284
7 1/2	J7535B	26035D023		28	284
1 1/2	J1550B	26035D025	50	6	284
2	J2050B	26035D027		7	284
3	J3050B	26035D029		10	284
5	J5050B	26035D031		16	284
7 1/2	J7550B	26035D033		25	284
2	J2080B	26035D035		80	6
3	J3080B	26035D037	9		284
5	J5080B	26035D039	14		284
7 1/2	J7580B	26035D041	22		284

RAIDER

HP	CAT. NO.	ENG. NO.	GPM	NO. OF STAGES	PAGE NO.
1/4	J24M	25421D401	4	3	274
1/3	J34M	23270D401		6	274
1/2	J54M	23274D401		10	274
1/3	J38M	23271D401	8	4	274
1/2	J58M	23275D401		8	274
3/4	J78M	23279D401		11	274
1	J108M	23283D401		14	274
1 1/2	J158M	23287D401		19	274
2	J208M	23312D401		24	274
3	J308M	23673D401	33	274	
2	J2011M	23313D401	11	19	274
3	J3011M	23674D401		25	274
2	J2018M*	23314D401	18	14	274
3	J3018M*	23315D401		18	274
5	J5018M*	23675D401		29	274
1/3	J320M	25213D401	20	3	274
1/2	J520M	25232D401		4	274
3/4	J720M	25233D401		6	274
1	J1020M	25234D401		8	274
1 1/2	J1520M	25235D401		10	274
2	J2020M	25236D401		14	274
3	J3020M	25237D401	18	274	
5	J5020M	25238D401	29	274	

*These units are no longer manufactured (replaced by 20 GPM).

IRR-A-GATOR (SST)

HP	CAT. NO.	ENG. NO.	GPM	NO. OF STAGES	PAGE NO.
1/2	J525P	23835D343	25	3	278
3/4	J725P	23835D341		5	278
1	J1025P	23835D339		7	278
1 1/2	J1525P	23835D301		9	278

IRR-A-GATOR (BRASS)

HP	CAT. NO.	ENG. NO.	GPM	NO. OF STAGES	PAGE NO.
1	J1025P-B	23835D239	25	7	278
1 1/2	J1525P-B	23835D201		9	278

THINLINE

HP	CAT. NO.	ENG. NO.	GPM	NO. OF STAGES	PAGE NO.
1/2	T57	25270D001	7	11	276
3/4	T77	25271D001		15	276
1	T107	25272D001		20	276

CHECK VALVES (IN-LINE)

CHECK VALVE NUMBER	DESCRIPTION
24429A001	1 1/4" NPT M x 1" NPT F
24429A002	1 1/4" NPT M x 1 1/4" NPT F
24429A003	1 1/4" NPT M x 1 1/2" NPT F
24429A004	2" NPT M x 1 1/2" NPT F
24429A005	2" NPT M x 2" NPT F
24429A006	1 1/4" NPT M x 1" BSPP F
24429A007	1 1/4" NPT M x 1 1/4" BSPP F
24429A008	2" NPT M x 2" BSPP F
24429A009	2" BSPP M x 2" BSPP F
24429A012	1 1/4" NPT M x 1" NPT F -LOW LEAD
24429A013	1 1/4" NPT M x 1 1/4" NPT F -LOW LEAD
24429A014	1 1/4" BSPP M x 1 1/4" BSPP F

**FRANKLIN MOTORS —
WITH LEADS
2-WIRE, 1 PHASE**

MOTOR CAT. NO.	MOTOR ENG. NO.	HP	V
S2JF31L	23293A922	1/3	115
S2JF32L	23293A923	1/3	230
S2JF51L	23293A924	1/2	115
S2JF52L	23293A925	1/2	230
S2JF72L	23293A926	3/4	230
S2JF102L	23293A927	1	230
S2JF152L	23293A928	1 1/2	230

**FRANKLIN MOTORS —
WITH LEADS
3-WIRE, 1 PHASE**

MOTOR CAT. NO.	MOTOR ENG. NO.	HP	V
SJF31L	23293A929	1/3	115
SJF32L	23293A930	1/3	230
SJF51L	23293A931	1/2	115
SJF52L	23293A932	1/2	230
SJF72L	23293A933	3/4	230
SJF102L	23293A934	1	230
SJF152L	23293A935	1 1/2	230
SJF2021L	23293A100	2	230
SJF3021L	23293A104	3	230
SJF5021L	23293A108	5	230

**FRANKLIN MOTORS —
WITH LEADS
3-WIRE, 3 PHASE**

MOTOR CAT. NO.	MOTOR ENG. NO.	HP	V
SJF0503L	23293A163	1/2	200
SJF0523L	23293A164	1/2	230
SJF0543L	23293A165	1/2	460
SJF0703L	23293A166	3/4	200
SJF0723L	23293A167	3/4	230
SJF0743L	23293A168	3/4	460
SJF1003L	23293A169	1	200
SJF1023L	23293A170	1	230
SJF1043L	23293A171	1	460
SJF2003L	23293A101	2	200
SJF2023L	23293A102	2	230
SJF2043L	23293A103	2	460
SJF3003L	23293A105	3	200
SJF3023L	23293A106	3	230
SJF3043L	23293A107	3	460
SJF3053L	23293A172	3	575
SJF5003L	23293A109	5	200
SJF5023L	23293A110	5	230
SJF5043L	23293A111	5	460
SJF5053L	23293A112	5	575
SJF7503L	23293A113	7 1/2	200
SJF7523L	23293A114	7 1/2	230
SJF7543L	23293A115	7 1/2	460
SJF7553L	23293A116	7 1/2	575
SJF10043L	23293A117	10	460
SJF10053L	23293A118	10	575

**FRANKLIN MOTORS —
POLLUTION RECOVERY,
2-WIRE, 1 PHASE**

MOTOR CAT. NO.	MOTOR ENG. NO.	HP	V
S2JF31CR	23293A212	1/3	115
S2JF32CR	23293A213	1/3	230
S2JF51CR	23293A201	1/2	115
S2JF52CR	23293A202	1/2	230
S2JF72CR	23293A203	3/4	230
S2JF102CR	23293A204	1	230
S2JF152CR	23293A205	1 1/2	230

**FRANKLIN MOTORS —
POLLUTION RECOVERY,
3-WIRE, 1 PHASE**

MOTOR CAT. NO.	MOTOR ENG. NO.	HP	V
SJF31CR	23293A214	1/3	115
SJF32CR	23293A215	1/3	230
SJF51CR	23293A206	1/2	115
SJF52CR	23293A207	1/2	230
SJF72CR	23293A208	3/4	230
SJF102CR	23293A209	1	230
SJF152CR	23293A210	1 1/2	230
SJF2021CR	23293A211	2	230

**FRANKLIN MOTORS —
POLLUTION RECOVERY,
3 PHASE**

MOTOR CAT. NO.	MOTOR ENG. NO.	HP	V
SJF0503CR	23293A216	1/2	200
SJF0523CR	23293A217	1/2	230
SJF0543CR	23293A218	1/2	460
SJF0703CR	23293A219	3/4	200
SJF0723CR	23293A220	3/4	230
SJF0743CR	23293A221	3/4	460
SJF1003CR	23293A222	1	200
SJF1023CR	23293A223	1	230
SJF1043CR	23293A224	1	460
SJF1503CR	23293A225	1 1/2	200
SJF1523CR	23293A226	1 1/2	230
SJF1543CR	23293A227	1 1/2	460
SJF2003CR	23293A228	2	200
SJF2023CR	23293A229	2	230
SJF2043CR	23293A230	2	460

**FRANKLIN MOTORS —
POTABLE BRACKISH WATER,
3-WIRE, 1 PHASE**

MOTOR CAT. NO.	MOTOR ENG. NO.	HP	V
SJF51PBW	23293A601	1/2	115
SJF52PBW	23293A602	1/2	230
SJF72PBW	23293A603	3/4	230
SJF102PBW	23293A604	1	230
SJF152PBW	23293A605	1 1/2	230
SJF2021PBW	23293A606	2	230

**FRANKLIN MOTORS —
HIGH THRUST, LOW pH,
1 PHASE**

MOTOR CAT. NO.	MOTOR ENG. NO.	HP	V
SJF1521CRSH	23293A331	1 1/2	230
SJF2021CRSH	23293A332	2	230
SJF3021CRSH	23293A333	3	230
SJF5021CRSH	23293A334	5	230

**FRANKLIN MOTORS —
HIGH THRUST, LOW pH,
3 PHASE**

MOTOR CAT. NO.	MOTOR ENG. NO.	HP	V
SJF1503CRSH	23293A335	1 1/2	200
SJF1523CRSH	23293A336	1 1/2	230
SJF1543CRSH	23293A337	1 1/2	460
SJF1553CRSH	23293A338	1 1/2	575
SJF2003CRSH	23293A339	2	200
SJF2023CRSH	23293A340	2	230
SJF2043CRSH	23293A341	2	460
SJF2053CRSH	23293A342	2	575
SJF3003CRSH	23293A343	3	200
SJF3023CRSH	23293A344	3	230
SJF3043CRSH	23293A345	3	460
SJF3053CRSH	23293A346	3	575
SJF5003CRSH	23293A347	5	200
SJF5023CRSH	23293A348	5	230
SJF5043CRSH	23293A349	5	460
SJF5053CRSH	23293A350	5	575
SJF7503CRSH	23293A351	7 1/2	200
SJF7523CRSH	23293A352	7 1/2	230
SJF7543CRSH	23293A353	7 1/2	460
SJF7553CRSH	23293A354	7 1/2	575
SJF10043CRSH	23293A355	10	460
SJF10053CRSH	23293A356	10	575

**FRANKLIN MOTORS —
OIL STRIPPER, HIGH TEMP,
HIGH pH, 1 PHASE**

MOTOR CAT. NO.	MOTOR ENG. NO.	HP	V
SJF2021HT	23293A801	2	230
SJF3021HT	23293A802	3	230
SJF5021HT	23293A803	5	230

**FRANKLIN MOTORS —
OIL STRIPPER, HIGH TEMP,
HIGH pH, 3 PHASE**

MOTOR CAT. NO.	MOTOR ENG. NO.	HP	V
SJF2023HT	23293A804	2	230
SJF2043HT	23293A805	2	460
SJF3023HT	23293A806	3	230
SJF3043HT	23293A807	3	460
SJF5023HT	23293A808	5	230
SJF5043HT	23293A809	5	460
SJF7523HT	23293A810	7 1/2	230
SJF7543HT	23293A811	7 1/2	460
SJF10043HT	23293A812	10	460

**FRANKLIN MOTORS —
SALTWATER, HIGH pH,
1 PHASE**

MOTOR CAT. NO.	MOTOR ENG. NO.	HP	V
SJF1521SW	23293A401	1 1/2	230
SJF2021SW	23293A402	2	230
SJF3021SW	23293A403	3	230
SJF5021SW	23293A404	5	230

**FRANKLIN MOTORS —
SALTWATER, HIGH pH,
3 PHASE**

MOTOR CAT. NO.	MOTOR ENG. NO.	HP	V
SJF1503SW	23293A405	1 1/2	200
SJF1523SW	23293A406	1 1/2	230
SJF1543SW	23293A407	1 1/2	460
SJF1553SW	23293A408	1 1/2	575
SJF2003SW	23293A409	2	200
SJF2023SW	23293A410	2	230
SJF2043SW	23293A411	2	460
SJF2053SW	23293A412	2	575
SJF3003SW	23293A413	3	200
SJF3023SW	23293A414	3	230
SJF3043SW	23293A415	3	460
SJF3053SW	23293A416	3	575
SJF5003SW	23293A417	5	200
SJF5023SW	23293A418	5	230
SJF5043SW	23293A419	5	460
SJF5053SW	23293A420	5	575
SJF7503SW	23293A421	7 1/2	200
SJF7523SW	23293A422	7 1/2	230
SJF7543SW	23293A423	7 1/2	460
SJF7553SW	23293A424	7 1/2	575
SJF10043SW	23293A425	10	460
SJF10053SW	23293A426	10	575

Pigtails must be ordered separately on all Franklin motors.

MYERS MOTORS, 2-Wire w/Voltage Surge Protection

MOTOR CAT. NO.	MOTOR ENG. NO.	HP	VOLTS	PHASE	PAGE NO.
S2J31	23256D001	1/3	115	1	285
S2J32	23257D001	1/3	230	1	285
S2J51	23258D001	1/2	115	1	285
S2J52	23259D001	1/2	230	1	285
S2J72	23260D001	3/4	230	1	285
S2J102	23261D001	1	230	1	285
S2J152	23262D001	1 1/2	230	1	285

Replaces S3N Series Motors
Myers motors include pigtails

MYERS MOTORS, 3-Wire w/Voltage Surge Protection

MOTOR CAT. NO.	MOTOR ENG. NO.	HP	VOLTS	PHASE	PAGE NO.
SJ31	23263D001	1/3	115	1	285
SJ32	23264D001	1/3	230	1	285
SJ51	23265D001	1/2	115	1	285
SJ52	23266D001	1/2	230	1	285
SJ72	23267D001	3/4	230	1	285
SJ102	23268D001	1	230	1	285
SJ152	23269D001	1 1/2	230	1	285

Replaces S3N Series Motors
Myers motors include pigtails

CONTROL BOXES, MYERS — 1 PHASE

BOX CAT. NO.	BOX ENG. NO.	HP	VOLTS	PAGE NO.
CJ3-1	23199B000	1/3	115	282
CJ3-2	23199B001	1/3	230	282
CJ5-1	23199B002	1/2	115	282
CJ5-2	23199B003	1/2	230	282
CJ7-2	23199B004	3/4	230	282
CJ10-2	23199B005	1	230	282
CJ15-2	23199B006	1 1/2	230	282

CONTROL BOXES, FRANKLIN — 1 PHASE

BOX CAT. NO.	BOX ENG. NO.	HP	VOLTS	PAGE NO.
CJF3-1	23317A022	1/3	115	283
CJF3-2	23317A023	1/3	230	283
CJF5-1	23317A024	1/2	115	283
CJF5-2	23317A025	1/2	230	283
CJF7-2	23317A026	3/4	230	283
CJF10-2	23317A027	1	230	283
CJF15-2	23317A028	1 1/2	230	283
CJ20-21	23317A000	2	230	283
CJ30-21	23317A001	3	230	283
CJ50-21	23317A002	5	230	283

CONTROL BOXES, FRANKLIN DELUXE — 1 PHASE

BOX CAT. NO.	BOX ENG. NO.	HP	VOLTS	PAGE NO.
CB20-21	23317A051	2	230	283
CB30-21	23317A052	3	230	283
CB5231	23663A000	5	230	283

CONTROL BOXES, FRANKLIN CRC — 1 PHASE

BOX CAT. NO.	BOX ENG. NO.	HP	VOLTS	PAGE NO.
CJF5-2CRC	23317A053	1/2	230	283
CJF7-2CRC	23317A054	3/4	230	283
CJF10-2CRC	23317A055	1	230	283

CONTROL BOXES, FURNAS — 3 PHASE

BOX CAT. NO.	BOX ENG. NO.	HP	VOLTS	PAGE NO.
CJ15-03	23317A003	1 1/2	200	284
CJ15-23	23317A004	1 1/2	230	284
CJ15-43	23317A005	1 1/2	460	284
CJ20-03	23317A006	2	200	284
CJ20-23	23317A007	2	230	284
CJ20-43	23317A008	2	460	284
CJ30-03	23317A009	3	200	284
CJ30-23	23317A010	3	230	284
CJ30-43	23317A011	3	460	284
CJ50-03	23317A012	5	200	284
CJ50-23	23317A013	5	230	284
CJ50-43	23317A014	5	460	284
CJ50-53	23317A015	5	575	284
CJ75-03	23317A016	7 1/2	200	284
CJ75-23	23317A017	7 1/2	230	284
CJ75-43	23317A018	7 1/2	460	284
CJ75-53	23317A019	7 1/2	575	284

PROTECTORS, FRANKLIN — 1 PHASE

PROTECTOR CAT. NO.	PROTECTOR ENG. NO.	HP	VOLTS
PT-15	26001A000	1/3 - 1 1/2	230
PT-PLUS	26001A002	1/2 - 5	230

PROTECTORS, MYERS — 1 PHASE

PROTECTOR CAT. NO.	PROTECTOR ENG. NO.	HP	VOLTS
SC10	25382A000	1/3 - 1 1/2	230
W-230-C	24524A000	1/3 - 1 1/2	230
W-230-D	24525A000	5 - 7 1/2	230

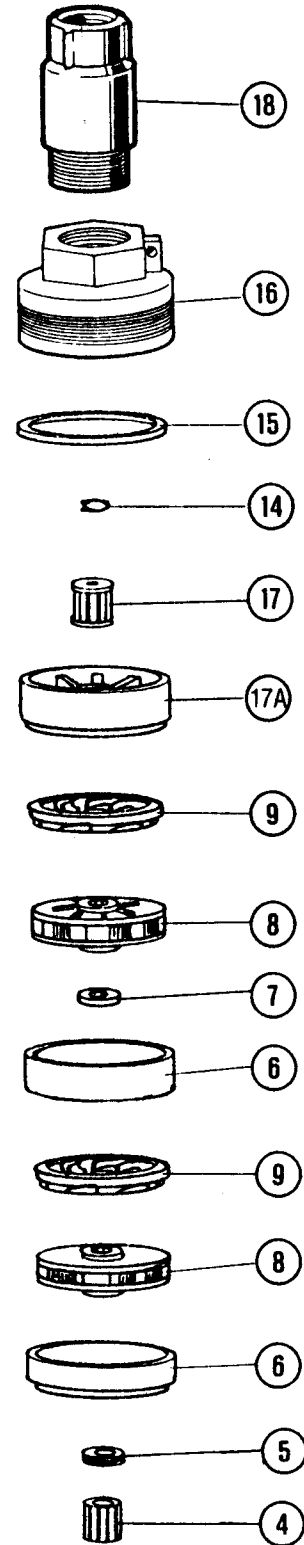
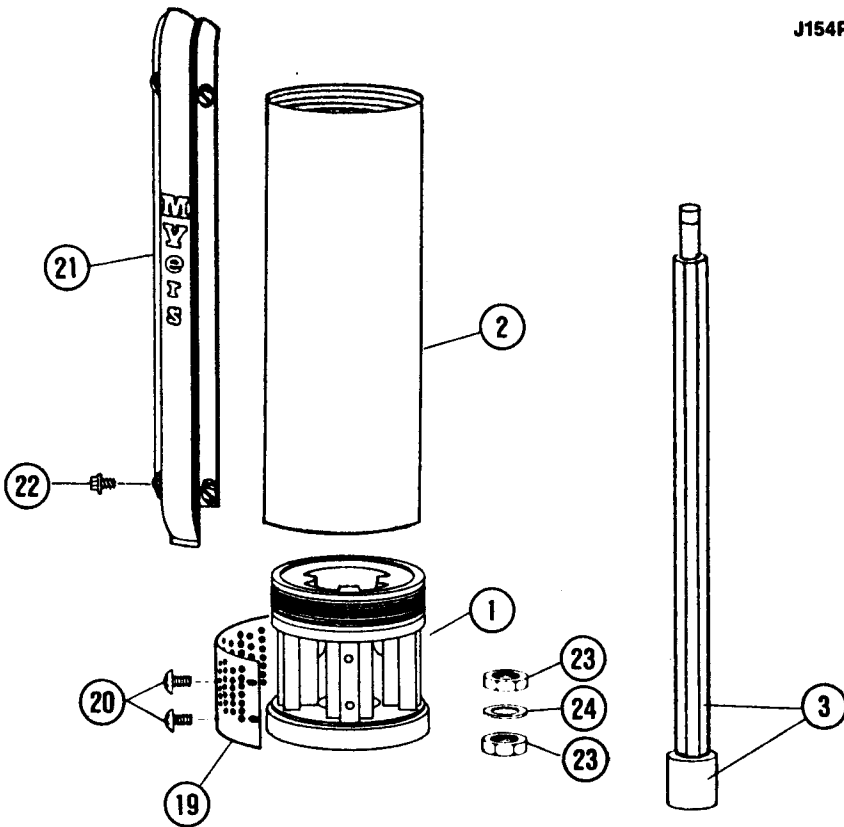
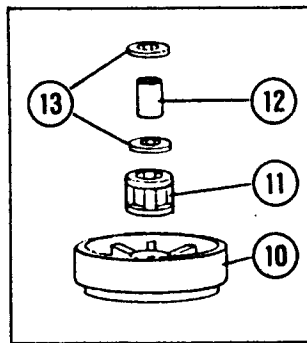
PIGTAILS

	2-WIRE			3-WIRE		
	CAT. NO.	ENG. NO.	LGTH.	CAT. NO.	ENG. NO.	LGTH.
Myers Hypalon Leads	23144B020K		48"	23143B020K 23143B021K		48" 100"
Franklin Leads	23144B001K		48"	23143B002K 23143B003K		48" 100"
Franklin Tefzel Leads	25-2W	23144B002	25'	25-3W	23143B005	25'
	50-2W	23144B050	50'	50-3W	23143B050	50'
	75-2W	23144B075	75'	75-3W	23143B075	75'
	100-2W	23144B100	100'	100-3W	23143B100	100'
	150-2W	23144B150	150'	150-3W	23143B150	150'
Ground Wires	200-2W	23144B003	200'	200-3W	23143B006	200'
		09859A804	48"			
		09859A805	100"			

PREDATOR

Submersible Pumps

J34P	J38P	J311P	—	—
J54P	J58P	J511P	J518P	J520P
J74P	J78P	J711P	J718P	J720P
J104P	J108P	J1011P	J1018P	J1020P
J154P	J158P	J1511P	J1518P	J1520P



REF. NO.	PART NO.	DESCRIPTION
1	24019B010	Bowl;Suction — P Series
2	238218079	Shell;Pump — J34P
	238218042	Shell;Pump — J38P
	238218043	Shell;Pump — J311P
	238218062	Shell;Pump — J54P
	238218047	Shell;Pump — J58P
	238218046	Shell;Pump — J511P
	238218063	Shell;Pump — J518P, J520P
	238218045	Shell;Pump — J74P
	238218018	Shell;Pump — J48P
	238218064	Shell;Pump — J711P
	238218079	Shell;Pump — J718P
	238218047	Shell;Pump — J720P
	238218053	Shell;Pump — J104P
	238218052	Shell;Pump — J108P
	238218050	Shell;Pump — J1011P
	238218049	Shell;Pump — J1018P
	238218068	Shell;Pump — J1020P
	238218058	Shell;Pump — J154P
	238218078	Shell;Pump — J158P
	238218054	Shell;Pump — J1511P
	238218051	Shell;Pump — J1518P, J1520P
2	238218057	Shell;Pump — J34P
	238218096	Shell;Pump — J54P
	238218000	Shell;Pump — J74P
	238218095	Shell;Pump — J104P
	238218098	Shell;Pump — J38P
	238218079	Shell;Pump — J58P
	238218089	Shell;Pump — J78P
	238218045	Shell;Pump — J108P
	238218099	Shell;Pump — J158P
	238218100	Shell;Pump — J311P
	238218101	Shell;Pump — J511P
	238218102	Shell;Pump — J711P
	238218040	Shell;Pump — J1011P
	238218001	Shell;Pump — J1511P
	238218065	Shell;Pump — J520P
	238218079	Shell;Pump — J720P
	238218048	Shell;Pump — J1020P
	238218083	Shell;w/coupling — J1520P
3	231828074K	Shaft;w/coupling — J34P
	231828028K	Shaft;w/coupling — J38P
	231828059K	Shaft;w/coupling — J311P
	231828080K	Shaft;w/coupling — J54P
	231828077K	Shaft;w/coupling — J58P
	231828202K	Shaft;w/coupling — J511P
	231828206K	Shaft;w/coupling — J518P, J520P
	231828203K	Shaft;w/coupling — J74P
	231828082K	Shaft;w/coupling — J78P
	231828058K	Shaft;w/coupling — J711P
	231828074K	Shaft;w/coupling — J720P
	231828045K	Shaft;w/coupling — J718P
	231828089K	Shaft;w/coupling — J104P
	231828086K	Shaft;w/coupling — J108P
	231828085K	Shaft;w/coupling — J1011P
	231828079K	Shaft;w/coupling — J1018P
	231828031K	Shaft;w/coupling — J1020P
	231828094K	Shaft;w/coupling — J154P
	231828091K	Shaft;w/coupling — J158P
	231828090K	Shaft;w/coupling — J1511P
	231828207K	Shaft;w/coupling — J1518P, J1520P
3	240238031K	Shaft;w/coupling — J34P
	240238036K	Shaft;w/coupling — J54P
	240238040K	Shaft;w/coupling — J74P
	240238044K	Shaft;w/coupling — J104P
	240238029K	Shaft;w/coupling — J38P
	240238033K	Shaft;w/coupling — J58P
	240238038K	Shaft;w/coupling — J78P
	240238041K	Shaft;w/coupling — J108P
	240238046K	Shaft;w/coupling — J158P
	240238028K	Shaft;w/coupling — J311P
	240238032K	Shaft;w/coupling — J511P
	240238035K	Shaft;w/coupling — J711P
	240238039K	Shaft;w/coupling — J1011P
	240238045K	Shaft;w/coupling — J1511P
	240238030K	Shaft;w/coupling — J520P
	240238033K	Shaft;w/coupling — J720P
	240238037K	Shaft;w/coupling — J1020P
	240238040K	Shaft;w/coupling — J1520P
4	23131A000	Spacer;Shaft w/Coupling
5	23162A000	Washer;Thrust — 3 Req'd. on 4 GPM — 2 Req'd. on 8 GPM — 1 Req'd. on 11, 18 & 20 GPM
6	23149B030	Housing;Diffuser — 1 per stage on 4 GPM Units*
	23152B030	Housing;Diffuser — 1 per stage on 8 GPM Units*
	23155B030	Housing;Diffuser — 1 per stage on 11 GPM Units*
	23158B030	Housing;Diffuser — 1 per stage on 18 & 20 GPM Units*
7	23162A000	Washer;Thrust — 1 per stage* (Except Bottom Stage)
8	23150B030	Impeller — 1 per stage on 4 GPM Units*
	23153B030	Impeller — 1 per stage on 8 GPM Units*
	23156B030	Impeller — 1 per stage on 11 GPM Units*
	23159B030	Impeller — 1 per stage on 18 GPM Units*
	24644B000	Impeller — 1 per stage on 20 GPM Units*
9	23154B030	Diffuser — 1 per stage on 4 GPM Units*
	23154B030	Diffuser — 1 per stage on 8 GPM Units*
	23157B030	Diffuser — 1 per stage on 11 GPM Units*
	23160B030	Diffuser — 1 per stage on 18 & 20 GPM Units*

*Refer to Page 262 for number of stages.

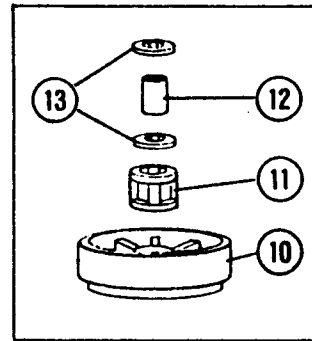
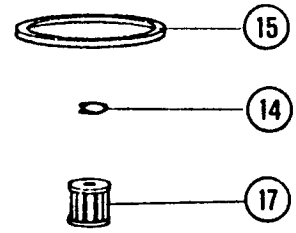
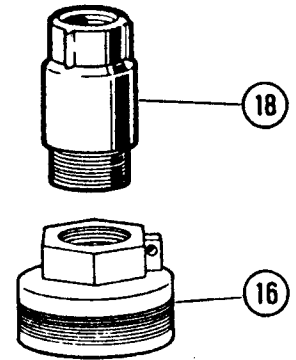
REF. NO.	PART NO.	DESCRIPTION
10	23170B101 23170B000	Housing;Intermediate Bearing (w/bearing) — J154P Only Housing;Intermediate Bearing (w/o bearing)
11	23173A001	Bearing;Rubber — J154P Only
12	23174A000	Sleeve;Intermediate Bearing - J154P Only
13	23162A000	Washer;Thrust — 2 Req'd. J154P Only
14	12558A019 12558A023	Ring;Retaining SST (Units w/bearing in housing) Ring;Retaining SST (Units w/bearing in discharge)
15	23319A000	Ring;Spacer (As Req'd.)
16	24345B010 25390B010 25344B000	Bowl;Discharge SST (w/bearing) — Except J154P Bowl;Discharge Brass (w/bearing) — Replaces 24345B010 Bowl;Discharge SST (w/o bearing) — J154P Only
17	23173A020 24506A000	Bearing;Rubber (units w/bearing in housing) Bearing;Rubber (units w/bearing in discharge)
17A	23170B120 23170B000	Housing;Upper Bearing (w/bearing) Housing;Upper Bearing (w/o bearing)
18	24429A001 24429A002	Valve;Check — 1/4" NPT F x 1" NPT M (all 5 & 8 GPM & 1/2 & 3/4 HP 12 GPM) Valve;Check — 1/4" NPT F x 1/4" NPT M (all 12 GPM 1 HP & above and all 20 GPM)
19	24342B000	Strainer;Suction SST
20	05434A051	Screw;Machine SST #8-32 x 3/8 Phillips Truss Head — 2 Req'd.
21	24346B104 24346B102 24346B101 24346B109 24346B106 24346B103 24346B110 24346B109 24346B104 24346B106 24346B117 24346B115 24346B111 24346B108 24346B133 24346B124 24346B120 24346B119 24346B114	Guard;Lead — J34P Guard;Lead — J38P Guard;Lead — J311P Guard;Lead — J54P Guard;Lead — J58P Guard;Lead — J511P Guard;Lead — J518P, J520P Guard;Lead — J74P Guard;Lead — J78P Guard;Lead — J711P Guard;Lead — J718P Guard;Lead — J720P Guard;Lead — J104P Guard;Lead — J108P Guard;Lead — J1011P Guard;Lead — J1018P Guard;Lead — J1020P Guard;Lead — J154P Guard;Lead — J158P Guard;Lead — J1511P Guard;Lead — J1518P, J1520P
21	24346B103 24346B108 24346B145 24346B116 24346B142 24346B104 24346B139 24346B113 24346B140 24346B141 24346B144 24346B107 24346B137 24346B117 24346B104 24346B108 24346B118	Guard;Lead — J34P Guard;Lead — J54P Guard;Lead — J74P Guard;Lead — J104P Guard;Lead — J38P Guard;Lead — J58P Guard;Lead — J78P Guard;Lead — J108P Guard;Lead — J158P Guard;Lead — J311P Guard;Lead — J511P Guard;Lead — J711P Guard;Lead — J1011P Guard;Lead — J1511P Guard;Lead — J520P Guard;Lead — J720P Guard;Lead — J1020P Guard;Lead — J1520P
22	05910A014 09822A038	Screw;#6-20x1/4" SST Tapping — 4 Req'd. Except J154P — 2 Req'd. J154P Only Screw;#6-32x1/4" SST Tapping — 2 Req'd. J154P Only
23	19109A086	Nut;5/16-24 UNF SST JAM — 5 Req'd.
24	06107A018	Washer;5/16 SST Shakeproof Lock
	23270D601 23271D601 23272D601 23274D601 23275D601 23276D601 23277D601 23278D601 23279D601 23280D601 23281D601 23282D601 23283D601 23284D601 23285D601 23286D601 23287D601 23288D601 23289D601	Cartridge;Staging — J34P Cartridge;Staging — J38P Cartridge;Staging — J311P Cartridge;Staging — J54P Cartridge;Staging — J58P Cartridge;Staging — J511P Cartridge;Staging — J518P, J520P Cartridge;Staging — J74P Cartridge;Staging — J78P Cartridge;Staging — J711P Cartridge;Staging — J718P Cartridge;Staging — J104P Cartridge;Staging — J108P Cartridge;Staging — J1011P Cartridge;Staging — J1018P Cartridge;Staging — J154P Cartridge;Staging — J158P Cartridge;Staging — J1511P Cartridge;Staging — J1518P, J1520P — Consists of Ref. Nos. 3-15

NOTE: When replacing a cartridge used in a pump with the bearing in the discharge bowl, discard the bearing housing supplied with the cartridge.

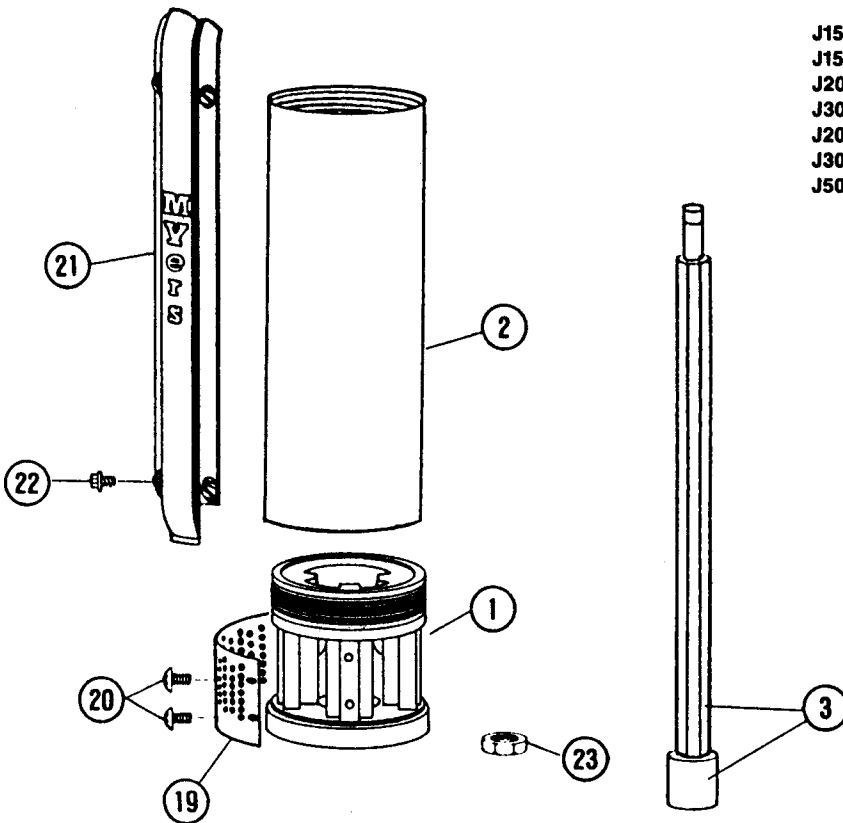
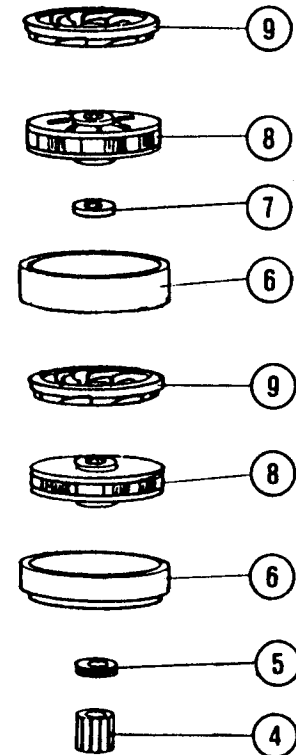
PREDATOR II

Submersible Pumps

J34P-B	J35P-B	J38P-B	J311P-B	J312P-B	—
J54P-B	J55P-B	J58P-B	J511P-B	J512P-B	J520P-B
J74P-B	J75P-B	J78P-B	J711P-B	J712P-B	J720P-B
J104P-B	J105P-B	J108P-B	J1011P-B	J1012P-B	J1020P-B
J154P-B	J155P-B	J158P-B	J1511P-B	J1512P-B	J1520P-B
—	—	J208P-B	—	J2012P-B	J2020P-B
—	—	J308P-B	—	J3012P-B	J3020P-B
—	—	—	—	—	J5020P-B



J154P-B
 J155P-B
 J208P-B
 J308P-B
 J2012P-B
 J3012P-B
 J5020P-B



REF. NO.	PART NO.	DESCRIPTION
1	240198010 26005C001	Bowl;Suction, Plastic — 1/2 - 1 1/2 HP units Bowl;Suction, Brass — 2 - 5 HP units
2	238218063 238218111 238218113 238218116 238218012 238218121 238218125 238218130 238218133 238218136 238218120 238218124 238218129 238218132 238218135 238218008 238218028 238218100 238218101 238218110 238218040 238218001 238218118 238218122 238218126 238218128 238218134 238218035 238218103 238218119 238218108 238218123 238218109 238218127 238218112 238218131 238218073 238218071 238218013	Shell;Pump — J34P-B Shell;Pump — J54P-B Shell;Pump — J74P-B Shell;Pump — J104P-B Shell;Pump — J154P-B Shell;Pump — J35P-B Shell;Pump — J55P-B Shell;Pump — J75P-B Shell;Pump — J105P-B Shell;Pump — J155P-B Shell;Pump — J38P-B Shell;Pump — J58P-B Shell;Pump — J78P-B Shell;Pump — J108P-B Shell;Pump — J158P-B Shell;Pump — J208P-B Shell;Pump — J308P-B Shell;Pump — J311P-B Shell;Pump — J511P-B Shell;Pump — J711P-B Shell;Pump — J1011P-B Shell;Pump — J1511P-B Shell;Pump — J312P-B Shell;Pump — J512P-B Shell;Pump — J712P-B Shell;Pump — J1012P-B Shell;Pump — J1512P-B Shell;Pump — J2012P-B Shell;Pump — J3012P-B Shell;Pump — J520P-B (4 stage) Shell;Pump — J520P-B (5 stage) Shell;Pump — J720P-B (6 stage) Shell;Pump — J720P-B (7 stage) Shell;Pump — J1020P-B (8 stage) Shell;Pump — J1020P-B (9 stage) Shell;Pump — J1520P-B Shell;Pump — J2020P-B Shell;Pump — J3020P-B Shell;Pump — J5020P-B
3	240238031K 240238036K 240238040K 240238044K 240238051K 240238055K 240238058K 240238062K 240238065K 240238068K 240238054K 240238061K 240238064K 240238067K 240238082K 240238085K 240238151K 240238144K 240238107K 240238137K 240238117K 240238052K 240238056K 240238059K 240238061K 240238066K 240238081K 240238084K 240238053K 240238030K 240238056K 240238033K 240238060K 240238037K 240238063K 240238078K 240238080K 240238087K	Shaft;w/coupling — J34P-B Shaft;w/coupling — J54P-B Shaft;w/coupling — J74P-B Shaft;w/coupling — J104P-B Shaft;w/coupling — J154P-B Shaft;w/coupling — J35P-B Shaft;w/coupling — J55P-B Shaft;w/coupling — J75P-B Shaft;w/coupling — J105P-B Shaft;w/coupling — J155P-B Shaft;w/coupling — J38P-B Shaft;w/coupling — J58P-B Shaft;w/coupling — J78P-B Shaft;w/coupling — J108P-B Shaft;w/coupling — J158P-B Shaft;w/coupling — J208P-B Shaft;w/coupling — J308P-B Shaft;w/coupling — J311P-B Shaft;w/coupling — J511P-B Shaft;w/coupling — J711P-B Shaft;w/coupling — J1011P-B Shaft;w/coupling — J1511P-B Shaft;w/coupling — J312P-B Shaft;w/coupling — J512P-B Shaft;w/coupling — J712P-B Shaft;w/coupling — J1012P-B Shaft;w/coupling — J1512P-B Shaft;w/coupling — J2012P-B Shaft;w/coupling — J3012P-B Shaft;w/coupling — J520P-B (4 stage) Shaft;w/coupling — J520P-B (5 stage) Shaft;w/coupling — J720P-B (6 stage) Shaft;w/coupling — J720P-B (7 stage) Shaft;w/coupling — J1020P-B (8 stage) Shaft;w/coupling — J1020P-B (9 stage) Shaft;w/coupling — J1520P-B Shaft;w/coupling — J2020P-B Shaft;w/coupling — J3020P-B Shaft;w/coupling — J5020P-B
4	23131A000	Spacer;Shaft w/Coupling
5	23162A000	Washer;Thrust — 3 Req'd. on 4 & 5 GPM — 2 Req'd. on 8 GPM — 1 Req'd. on 11, 12 & 20
6	231498030 231528030 231588030 231588030	Housing;Diffuser — 1 per stage on 4 & 6 GPM units* Housing;Diffuser — 1 per stage on 8 GPM units* Housing;Diffuser — 1 per stage on 11 & 12 GPM units* Housing;Diffuser — 1 per stage on 20 GPM units*

REF. NO.	PART NO.	DESCRIPTION
7	23162A000	Washer;Thrust — 1 per stage* (except bottom stage)
8	23150B030 231538030 231568030 24644B000	Impeller — 1 per stage on 4 & 5 GPM units* Impeller — 1 per stage on 8 GPM units* Impeller — 1 per stage on 11 & 12 GPM units* Impeller — 1 per stage on 20 GPM units*
9	231518030 231548030 231578030 231608030	Diffuser — 1 per stage on 4 & 5 GPM units* Diffuser — 1 per stage on 8 GPM units* Diffuser — 1 per stage on 11 & 12 GPM units* Diffuser — 1 per stage on 20 GPM units*
10	23170B101 23170B000	Housing;Intermediate Bearing (w/bearing) Housing;Intermediate Bearing (w/o bearing) USED ON — J154P-B, J155P-B, J208P-B, J308P-B, J2012P-B, J3012P-B & J5020P-B Only
11	23173A001	Bearing;Rubber — 1 per Intermediate Bearing Housing
12	23174A000	Sleeve;Intermediate Bearing — 1 per Intermediate Bearing Housing
13	23162A000	Washer;Thrust — 2 Req'd. per Intermediate Bearing Housing
14	12558A023	Ring;Retaining SST
15	23319A000	Ring;Spacer (As Req'd.)
16	25390B010	Bowl;Discharge Brass (w/Bearing)
17	24506A000	Bearing;Rubber — For Brass Discharge
18	24429A001 24429A002	Valve;Check — 1 1/4" NPT F x 1" NPT M (4, 5 & 8 GPM - all HP 11 & 12 GPM - 1/2 & 3/4 HP) Valve;Check — 1 1/4" NPT F x 1 1/4" NPT M (11 & 12 GPM - 1 HP & above 20 GPM - all HP)
19	24342B000	Strainer;Suction SST
20	05435A051	Screw;Machine SST #8-32 x 3/8" Phillips Truss Head
21	24346B143 24346B147 24346B145 24346B116 24346B150 24346B153 24346B154 24346B137 24346B138 24346B157 24346B142 24346B104 24346B139 24346B115 24346B156 24346B173 24346B174 24346B151 24346B154 24346B107 24346B137 24346B117 24346B152 24346B103 24346B105 24346B139 24346B155 24346B121 24346B134 24346B141 24346B101 24346B103 24346B104 24346B136 24346B108 24346B111 24346B135 24346B122 24346B176	Guard;Lead SST — J34P-B Guard;Lead SST — J54P-B Guard;Lead SST — J74P-B Guard;Lead SST — J104P-B Guard;Lead SST — J154P-B Guard;Lead SST — J35P-B Guard;Lead SST — J55P-B Guard;Lead SST — J75P-B Guard;Lead SST — J105P-B Guard;Lead SST — J155P-B Guard;Lead SST — J38P-B Guard;Lead SST — J58P-B Guard;Lead SST — J78P-B Guard;Lead SST — J108P-B Guard;Lead SST — J158P-B Guard;Lead SST — J208P-B Guard;Lead SST — J308P-B Guard;Lead SST — J311P-B Guard;Lead SST — J511P-B Guard;Lead SST — J711P-B Guard;Lead SST — J1011P-B Guard;Lead SST — J1511P-B Guard;Lead SST — J312P-B Guard;Lead SST — J512P-B Guard;Lead SST — J712P-B Guard;Lead SST — J1012P-B Guard;Lead SST — J1512P-B Guard;Lead SST — J2012P-B Guard;Lead SST — J3012P-B Guard;Lead SST — J520P-B (4 stage) Guard;Lead SST — J520P-B (5 stage) Guard;Lead SST — J720P-B (6 stage) Guard;Lead SST — J720P-B (7 stage) Guard;Lead SST — J1020P-B (8 stage) Guard;Lead SST — J1020P-B (9 stage) Guard;Lead SST — J1520P-B Guard;Lead SST — J2020P-B Guard;Lead SST — J3020P-B Guard;Lead SST — J5020P-B
22	05910A014	Screw;Self-Tapping SST #6 x 1/4"
23	19109A086	Nut;Hex Jam SST 5/16-24UNF-2B

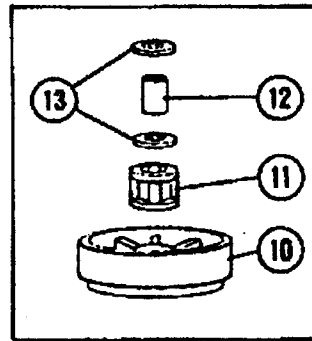
*NOTE: Refer to Page 262 for number of stages

J520P-B, J720P-B & J1020P-B were produced with two (2) different stack lengths. You must determine how many stages are in the models you have in order to choose the correct replacement part.

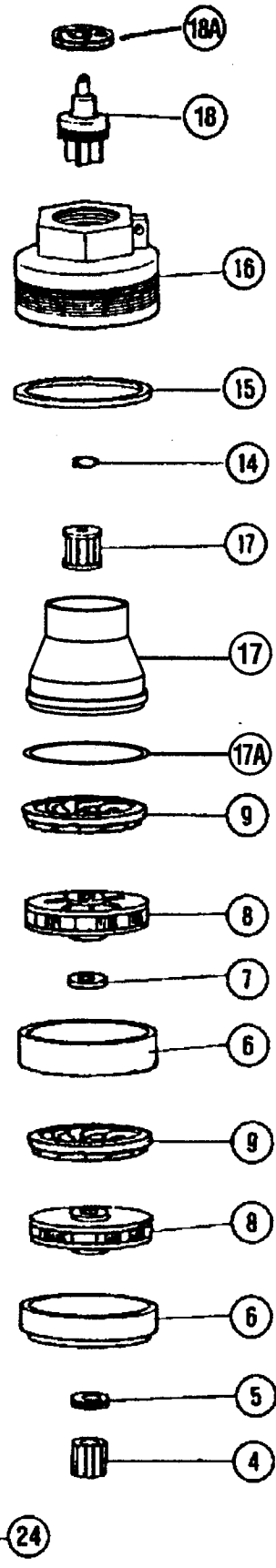
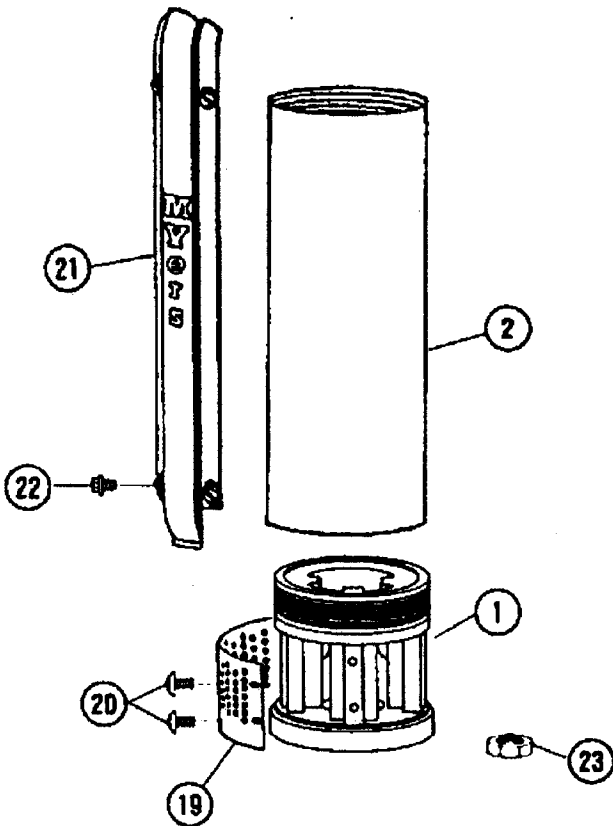
PREDATOR ST

Submersible Pumps

ST3-5	ST3-8	ST3-12	—	—
ST5-5	ST5-8	ST5-12	ST5-20	—
ST7-5	ST7-8	ST7-12	ST7-20	—
ST10-5	ST10-8	ST10-12	ST10-20	ST10-25
ST15-5	ST15-8	ST15-12	ST15-20	ST15-25
—	ST20-8	ST20-12	ST20-20	—
—	ST30-8	ST30-12	ST30-20	—
—	—	ST50-12	ST50-20	—



ST15-5
ST20-12
ST50-20

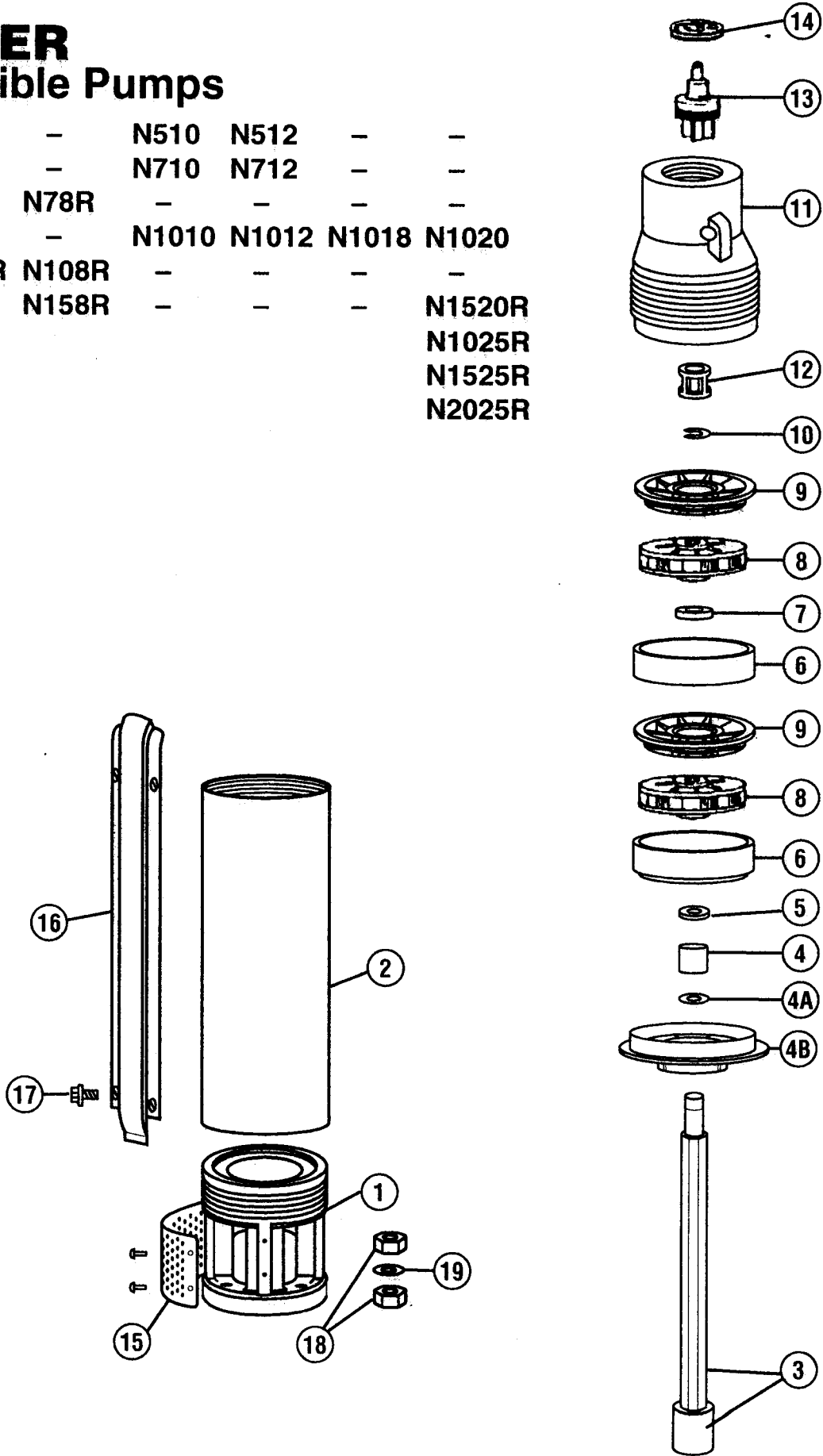


REF. NO.	PART NO.	DESCRIPTION
1	24019B010 24343B000	Bowl; Suction, Plastic Bowl; Suction, SST, 3 & 5 HP
2	23821B124 23821B048 23821B132 23821B001 23821B170 23821B156 23821B111 23821B157 23821B158 23821B159 23821B152 23821B061 23821B149 23821B106 23821B129 23821B131 23821B160 23821B007 23821B169 23821B198 23821B161 23821B126 23821B091 23821B133 23821B099 23821B008 23821B163 23821B133 23821B177	Shell; Pump - ST3-5 Shell; Pump - ST5-5 Shell; Pump - ST7-5 Shell; Pump - ST10-5 Shell; Pump - ST15-5 Shell; Pump - ST3-8 Shell; Pump - ST5-8 Shell; Pump - ST7-8 Shell; Pump - ST10-8 Shell; Pump - ST15-8 Shell; Pump - ST20-8 Shell; Pump - ST30-8 Shell; Pump - ST3-12 Shell; Pump - ST5-12 Shell; Pump - ST7-12 Shell; Pump - ST10-12 Shell; Pump - ST15-12 Shell; Pump - ST20-12 Shell; Pump - ST30-12 Shell; Pump - ST50-12 Shell; Pump - ST5-20 Shell; Pump - ST7-20 Shell; Pump - ST10-20 Shell; Pump - ST15-20 Shell; Pump - ST20-20 Shell; Pump - ST30-20 Shell; Pump - ST50-20 Shell; Pump - ST10-25 Shell; Pump - ST15-25
3	26415B555 26415B558 26415B562 26415B565 26415B596 26415B554 26415B557 26415B561 26415B541 26415B567 26415B582 26415B585 26415B552 26415B556 26415B559 26415B561 26415B566 26415B581 26415B584 26415B597 26415B553 26415B556 26415B560 26415B563 26415B578 26415B580 26415B587 25286B103K 25286B104K	Shaft; w/coupling - ST3-5 Shaft; w/coupling - ST5-5 Shaft; w/coupling - ST7-5 Shaft; w/coupling - ST10-5 Shaft; w/coupling - ST15-5 Shaft; w/coupling - ST3-8 Shaft; w/coupling - ST5-8 Shaft; w/coupling - ST7-8 Shaft; w/coupling - ST10-8 Shaft; w/coupling - ST15-8 Shaft; w/coupling - ST20-8 Shaft; w/coupling - ST30-8 Shaft; w/coupling - ST3-12 Shaft; w/coupling - ST5-12 Shaft; w/coupling - ST7-12 Shaft; w/coupling - ST10-12 Shaft; w/coupling - ST15-12 Shaft; w/coupling - ST20-12 Shaft; w/coupling - ST30-12 Shaft; w/coupling - ST50-12 Shaft; w/coupling - ST5-20 Shaft; w/coupling - ST7-20 Shaft; w/coupling - ST10-20 Shaft; w/coupling - ST15-20 Shaft; w/coupling - ST20-20 Shaft; w/coupling - ST30-20 Shaft; w/coupling - ST50-20 Shaft; w/coupling - ST10-25 Shaft; w/coupling - ST15-25
4	23131A000	Spacer; Shaft, w/coupling
5	23162A000 23808A000	Washer; Upthrust - 2 Req'd. on 5 GPM - 1 Req'd. on 8 GPM - 1 Req'd. on 12 & 20 GPM Washer; Upthrust - 1 Req'd. on 25 GPM

REF. NO.	PART NO.	DESCRIPTION
6	23149B030 23152B030 23155B030 23158B030 23811B000	Housing; Diffuser - 1 per stage on 5 GPM units Housing; Diffuser - 1 per stage on 8 GPM units Housing; Diffuser - 1 per stage on 12 GPM units Housing; Diffuser - 1 per stage on 20 GPM units Housing; Diffuser - 1 per stage on 25 GPM units
7	23162A000	Washer; Thrust - 1 per stage
8	23150B030 23153B030 23156B030 24644B000 23810B000	Impeller - 1 per stage on 5 GPM units Impeller - 1 per stage on 8 GPM units Impeller - 1 per stage on 12 GPM units Impeller - 1 per stage on 20 GPM units Impeller - 1 per stage on 25 GPM units
9	23151B030 23154B030 23157B030 23160B030	Diffuser - 1 per stage on 5 GPM units Diffuser - 1 per stage on 8 GPM units Diffuser - 1 per stage on 12 GPM units Diffuser - 1 per stage on 20 GPM units
10	23170B101	Housing; Intermediate Bearing USED ON - ST15-5, ST20-12 & ST50-20
11	23173A001	Bearing; Rubber - 1 per intermediate housing
12	23174A000	Sleeve - 1 per intermediate bearing housing
13	23162A000	Washer; Thrust - 2 per intermediate bearing housing
14	12558A023 12588A009	Ring; Retainer SST (5, 8, 12 & 20 GPM) Ring; Retainer SST (25 GPM)
15	23319A000	Ring; Spacer (As Req'd.)
16	26319B000	Bowl; Discharge SST - 1 1/4" NPT
17	26272B010	Housing; Bearing w/bearing
17A	05876A066	O-Ring; 3 3/8" O.D. x 3 1/8" I.D. x 1/8" Thick
18	23175B001	Poppet; Check Valve
18A	24476A000	Retainer; Check Valve Poppet
19	24342B000	Screw; Strainer SST
20	05434A051	Screw; Machine #8-32UNC x 3/8" Lg.
21	26299B112 26299B132 26299B160 26299B187 26299B238 26299B105 26299B129 26299B154 26299B177 26299B218 26299B260 26299B332 26299B092 26299B119 26299B136 26299B153 26299B196 26299B234 26299B287 26299B392 26299B098 26299B118 26299B139 26299B170 26299B201 26299B241 26299B368 26299B169 26299B204	Guard; Lead SST - ST3-5 Guard; Lead SST - ST5-5 Guard; Lead SST - ST7-5 Guard; Lead SST - ST10-5 Guard; Lead SST - ST15-5 Guard; Lead SST - ST3-8 Guard; Lead SST - ST5-8 Guard; Lead SST - ST7-8 Guard; Lead SST - ST10-8 Guard; Lead SST - ST15-8 Guard; Lead SST - ST20-8 Guard; Lead SST - ST30-8 Guard; Lead SST - ST3-12 Guard; Lead SST - ST5-12 Guard; Lead SST - ST7-12 Guard; Lead SST - ST10-12 Guard; Lead SST - ST15-12 Guard; Lead SST - ST20-12 Guard; Lead SST - ST30-12 Guard; Lead SST - ST50-12 Guard; Lead SST - ST5-20 Guard; Lead SST - ST7-20 Guard; Lead SST - ST10-20 Guard; Lead SST - ST15-20 Guard; Lead SST - ST20-20 Guard; Lead SST - ST30-20 Guard; Lead SST - ST50-20 Guard; Lead SST - ST10-25 Guard; Lead SST - ST15-25
22	05910A014	Screw; Self-Tapping SST #6 x 1/4"
23	19109A086	Nut; Hex Jam SST 5/16" 24 UNF-2B
24	24454B000	Body; w/SST Bearing Plate (25 GPM)

RUSTLER Submersible Pumps

N55	N58	-	N510	N512	-	-
N75	N78	-	N710	N712	-	-
N75R	-	N78R	-	-	-	-
-	N108	-	N1010	N1012	N1018	N1020
N105R	N108R	N108R	-	-	-	-
-	-	N158R	-	-	-	N1520R N1025R N1525R N2025R



REF. NO.	PART NO.	DESCRIPTION
1	24649C000 24019B010	Bowl; Suction. w/Built-In Screen replaces suction bowl w/separate suction screen Bowl; Suction on 25 GPM units
2	23821B125 23821B130 23821B133 23821B082 23821B040 23821B088 23821B129 23821B132 23821B135 23821B086 23821B087 23821B089 23821B122 23821B126 23821B128 23821B134 23821B079 23821B127 23821B131 23821B114 23821B071 23821B138	Shell; Pump - N55 Shell; Pump - N75, N75R Shell; Pump - N105, N105R Shell; Pump - N58 Shell; Pump - N78 Shell; Pump - N108, N106R Shell; Pump - N78R Shell; Pump - N108 Shell; Pump - N158 Shell; Pump - N510 Shell; Pump - N710 Shell; Pump - N1010 Shell; Pump - N512 Shell; Pump - N712 Shell; Pump - N1012 Shell; Pump - N1512R Shell; Pump - N1018 Shell; Pump - N1020 Shell; Pump - N1520R Shell; Pump - N1025R Shell; Pump - N1525R Shell; Pump - N2025R
3	24023B058K 24023B062K 24023B065K 24023B013K 24023B014K 24023B015K 24023B061K 24023B064K 24023B067K 24023B008K 24023B009K 24023B010K 24023B056K 24023B059K 24023B061K 24023B066K 24023B016K 24023B060K 24023B063K 23806B135K 25286B104K 25286B106K	Shaft; w/coupling - N55 Shaft; w/coupling - N75, N75R Shaft; w/coupling - N105, N105R Shaft; w/coupling - N58 Shaft; w/coupling - N78 Shaft; w/coupling - N108, N106R Shaft; w/coupling - N78R Shaft; w/coupling - N108R Shaft; w/coupling - N158R Shaft; w/coupling - N510 Shaft; w/coupling - N710 Shaft; w/coupling - N1010 Shaft; w/coupling - N512 Shaft; w/coupling - N712 Shaft; w/coupling - N1012 Shaft; w/coupling - N1512R Shaft; w/coupling - N1018 Shaft; w/coupling - N1020 Shaft; w/coupling - N1520R Shaft; w/coupling - N1025R Shaft; w/coupling - N1525R Shaft; w/coupling - N2025R
4	23131A000 24455A000	Spacer; Shaft, w/coupling Spacer; Sleeve for 25 GPM units
4A	23808A004	Spacer; for 25 GPM units
4B	24454B000	Body; w/SST Bearing Plate for 25 GPM only
5	23162A000	Washer; Upthrust - 3 Req'd. on 5 & 8 GPM - 2 Req'd. on 8 GPM - 1 Req'd. on 12, 18 & 20 GPM
6	23149B030 23152B030 23155B030 23158B030 23811B000	Housing; Diffuser - 1 per stage on 5 & 8 GPM units* Housing; Diffuser - 1 per stage on 8 GPM units* Housing; Diffuser - 1 per stage on 10 & 12 GPM units* Housing; Diffuser - 1 per stage on 18 & 20 GPM units* Housing; Diffuser - 1 per stage on 25 GPM units*

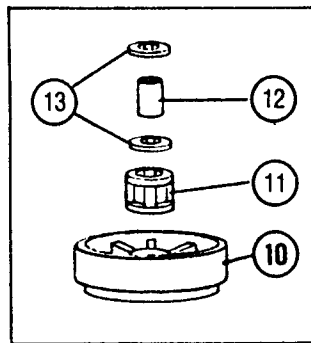
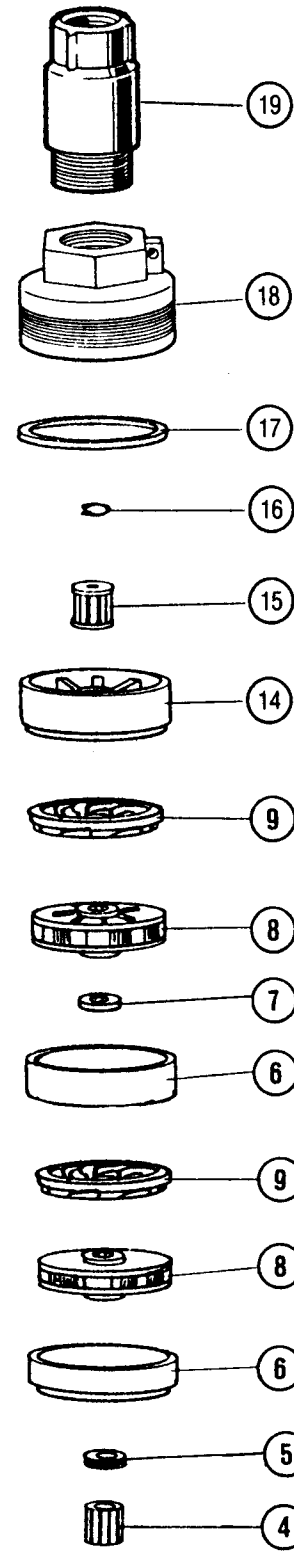
REF. NO.	PART NO.	DESCRIPTION
7	23162A000	Washer; Thrust - 1 per stage* (except bottom stage)
8	23150B030 23153B030 23156B030 24644B000 23810B000	Impeller - 1 per stage on 5 & 8 GPM units* Impeller - 1 per stage on 8 GPM units* Impeller - 1 per stage on 10 & 12 GPM units* Impeller - 1 per stage on 18 & 20 GPM units* Impeller - 1 per stage on 25 GPM units*
9	23151B030 23154B030 23157B030 23160B030	Diffuser - 1 per stage on 5 & 8 GPM units* Diffuser - 1 per stage on 8 GPM units* Diffuser - 1 per stage on 10 & 12 GPM units* Diffuser - 1 per stage on 18 & 20 GPM units*
10	12558A023 12558A009	Ring; Retaining SST Ring; Retaining SST for 25 GPM units
11	24475B010	Housing; Discharge Brass (w/bearing)
12	24506A000	Bearing; Rubber
13	23175B001	Poppet; Check Valve
14	24476A000	Retainer; Check Valve Poppet
15	24025B100 24342B000	Strainer; Suction (Not req'd. when replacing Suction Bowl w/new Bowl 24649C000) Strainer; Suction SST for 25 GPM units
16	24509B026 24509B005 24509B006 24509B003 24509B005 24509B006 24509B001 24509B004 24509B011 24509B000 24509B002 24509B004 24509B002 24509B000 24509B002 24509B004 24509B008 24509B001 24509B003 24509B027 24509B011 24509B007 24509B035	Guard; Lead SST - N55 Guard; Lead SST - N75, N75R Guard; Lead SST - N105, N105R Guard; Lead SST - N58 Guard; Lead SST - N78 Guard; Lead SST - N108, N106R Guard; Lead SST - N78R Guard; Lead SST - N108R Guard; Lead SST - N158R Guard; Lead SST - N510 Guard; Lead SST - N710 Guard; Lead SST - N1010 Guard; Lead SST - N512 Guard; Lead SST - N712 Guard; Lead SST - N1012 Guard; Lead SST - N1512R Guard; Lead SST - N1018 Guard; Lead SST - N1018 Guard; Lead SST - N1020 Guard; Lead SST - N1520R Guard; Lead SST - N1520R Guard; Lead SST - N1525R Guard; Lead SST - N1525R Guard; Lead SST - N2025R
17	05910A014	Screw; Self-Tapping SST #6 x 1/4" - 4 Req'd.
18	19109A086	Nut; Hex Jam SST 7/16-24 UNF-2B (4 Req'd. - 5 Req'd. if no ground wire in pigtail)
19	06107A018	Washer; Lock 7/16 SST Shakeproof (only req'd. if no ground wire in pigtail)

* NOTE: Refer to Page 262 for number of stages.

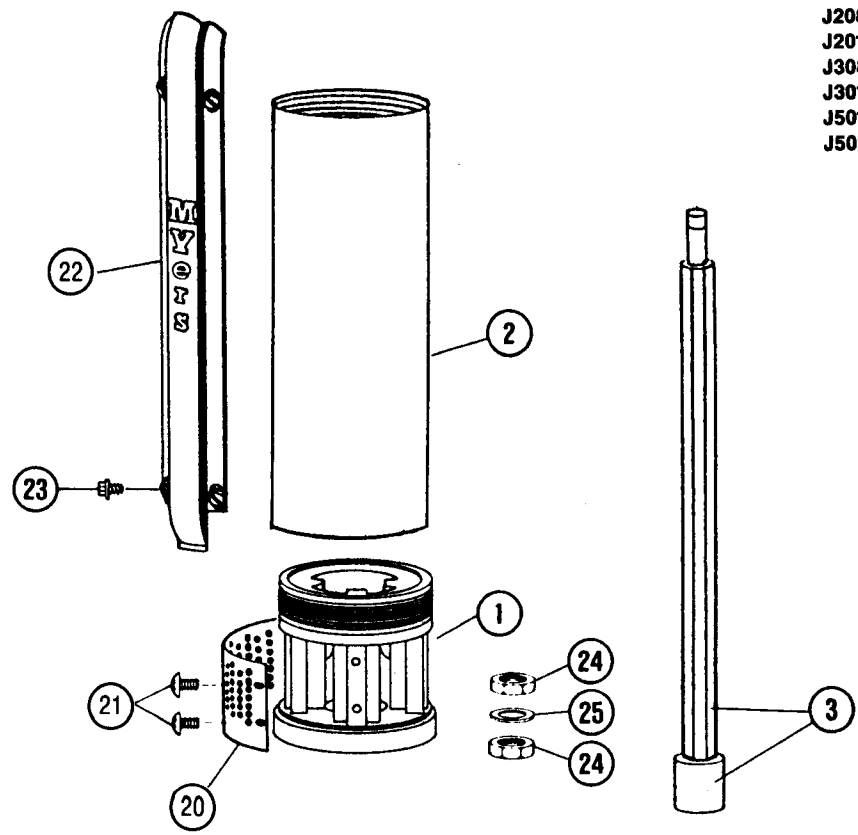
RAIDER

Submersible Pumps

J24M	—	—	—	—
J34M	J38M	—	—	J320M
J54M	J58M	—	—	J520M
—	J78M	—	—	J720M
—	J108M	—	—	J1020M
—	J158M	—	—	J1520M
—	J208M	J2011M	J2018M	J2020M
—	J308M	J3011M	J3018M	J3020M
—	—	—	J5018M	J5020M



J208M
 J2011M
 J308M
 J3011M
 J5018M
 J5020M



REF. NO.	PART NO.	DESCRIPTION
1	24343B000	Bowl;Suction SST
2	23821B105 23821B065 23821B106 23821B100 23821B066 23821B091 23821B051 23821B093 23821B080 23821B081 23821B071 23821B060 23821B097 23821B065 23821B079 23821B048 23821B049 23821B056 23821B055	Shell;Pump — J24M Shell;Pump — J34M Shell;Pump — J54M Shell;Pump — J38M Shell;Pump — J58M Shell;Pump — J78M Shell;Pump — J108M Shell;Pump — J158M Shell;Pump — J208M Shell;Pump — J308M Shell;Pump — J2011M Shell;Pump — J3011M Shell;Pump — J520M Shell;Pump — J720M Shell;Pump — J1020M Shell;Pump — J1520M Shell;Pump — J2018M, J2020M Shell;Pump — J3018M, J3020M Shell;Pump — J5018M, J5020M
3	24023B213K 24023B072K 24023B055K 24023B214K 23182B075K 23182B040K 23182B203K 23182B212K 23182B210K 23182B211K 23182B204K 23182B098K 24023B214K 24023B072K 24023B074K 24023B079K 23182B208K 23182B209K 24023B200K	Shaft;w/coupling — J24M Shaft;w/coupling — J34M Shaft;w/coupling — J54M Shaft;w/coupling — J38M Shaft;w/coupling — J58M Shaft;w/coupling — J78M Shaft;w/coupling — J108M Shaft;w/coupling — J158M Shaft;w/coupling — J208M Shaft;w/coupling — J308M Shaft;w/coupling — J2011M Shaft;w/coupling — J3011M Shaft;w/coupling — J520M Shaft;w/coupling — J720M Shaft;w/coupling — J1020M Shaft;w/coupling — J1520M Shaft;w/coupling — J2018M, J2020M Shaft;w/coupling — J3018M, J3020M Shaft;w/coupling — J5018M, J5020M
4	23131A000	Spacer;Shaft w/coupling
5	23162A000	Washer;Thrust — 3 Req'd. on 4 GPM — 2 Req'd. on 8 GPM — 1 Req'd. on 11, 18 & 20 GPM
6	23149B030 23152B030 23155B030 23158B030	Housing;Diffuser — 1 per stage on 4 GPM units* Housing;Diffuser — 1 per stage on 8 GPM units* Housing;Diffuser — 1 per stage on 11 GPM units* Housing;Diffuser — 1 per stage on 18 & 20 GPM units*
7	23162A000	Washer;Thrust — 1 per stage* (except bottom stage)
8	23150B030 23153B030 23156B030 23159B030 24644B000	Impeller — 1 per stage on 4 GPM units* Impeller — 1 per stage on 8 GPM units* Impeller — 1 per stage on 11 GPM units* Impeller — 1 per stage on 18 GPM units* Impeller — 1 per stage on 20 GPM units*
9	23151B030 23154B030 23157B030 23160B030	Diffuser — 1 per stage on 4 GPM units* Diffuser — 1 per stage on 8 GPM units* Diffuser — 1 per stage on 11 GPM units* Diffuser — 1 per stage on 18 & 20 GPM units*
10	23170B101 23170B000	Housing;Bearing (w/23173A001 bearing) Housing;Bearing (w/o bearing) — 1 Req'd. on units w/Intermediate Bearing*

REF. NO.	PART NO.	DESCRIPTION
11	23173A001	Bearing;Viton — 1 per Intermediate Bearing Housing*
12	23174A000	Sleeve;Intermediate Bearing — 1 per Intermediate Bearing Housing*
13	23162A000	Washer;Thrust — 2 Req'd. per Intermediate Bearing Housing*
14	23173B120 23170B000	Housing;Bearing w/23173A020 Bearing Housing;Bearing w/o Bearing
15	23173B020	Bearing;Viton
16	12558A019	Ring;Retaining SST
17	23319A000	Ring;Spacer (As Req'd.)
18	24344B000	Bowl;Discharge SST
19	24429A002	Valve;Check — 1/4" NPT F x 1/4" NPT M
20	24342B000	Strainer;Suction SST
21	05434A051	Screw;Mach, SST #8-32 x 3/8 Phillips Truss Head — 2 Req'd.
22	24346B148 24346B101 24346B105 24346B141 24346B104 24346B109 24346B114 24346B140 24346B134 24346B128 24346B122 24346B127 24346B141 24346B101 24346B104 24346B108 24346B111 24346B118 24346B123 24346B131	Guard;Lead SST — J24M Guard;Lead SST — J34M Guard;Lead SST — J54M Guard;Lead SST — J38M Guard;Lead SST — J58M Guard;Lead SST — J78M Guard;Lead SST — J108M Guard;Lead SST — J158M Guard;Lead SST — J208M Guard;Lead SST — J308M Guard;Lead SST — J2011M Guard;Lead SST — J3011M Guard;Lead SST — J320M Guard;Lead SST — J520M Guard;Lead SST — J720M Guard;Lead SST — J1020M Guard;Lead SST — J1520M Guard;Lead SST — J2018M, J2020M Guard;Lead SST — J3018M, J3020M Guard;Lead SST — J5018M, J5020M
23	05910A014	Screw;Self-Tapping SST #6 x 1/4" — 4 Req'd.
24	19109A086	Nut;Hex Jam SST 5/16-24UNF-2B (4 Req'd. - 5 Req'd. if ground wire in pigtail)
25	06107A016	Washer;Lock 5/16 SST Shakeproof (only req'd. if no ground wire in pigtail)
	25421D604 23270D604 23274D604 23271D604 23275D604 23279D604 23283D604 23287D604 23312D604 23673D604 23313D604 23674D604 25213D604 25232D604 25233D604 25234D604 25235D604	Cartridge;Staging — J24M Cartridge;Staging — J34M Cartridge;Staging — J54M Cartridge;Staging — J38M Cartridge;Staging — J58M Cartridge;Staging — J78M Cartridge;Staging — J108M Cartridge;Staging — J158M Cartridge;Staging — J208M Cartridge;Staging — J308M Cartridge;Staging — J2011M Cartridge;Staging — J3011M Cartridge;Staging — J320M Cartridge;Staging — J720M Cartridge;Staging — J1020M Cartridge;Staging — J1520M — Consist of Ref. Nos. 3-16

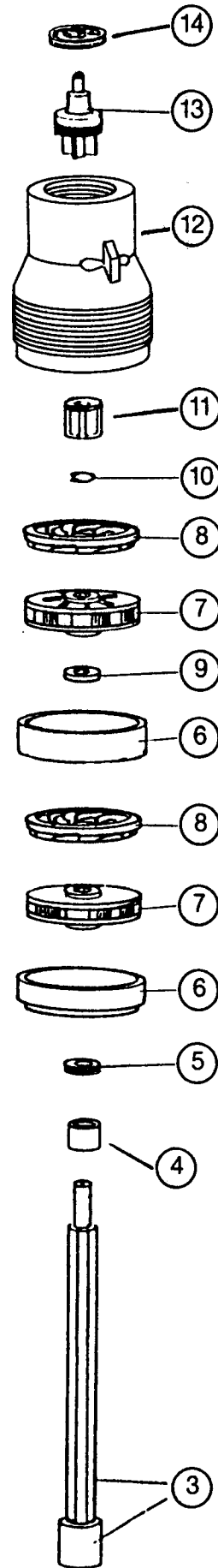
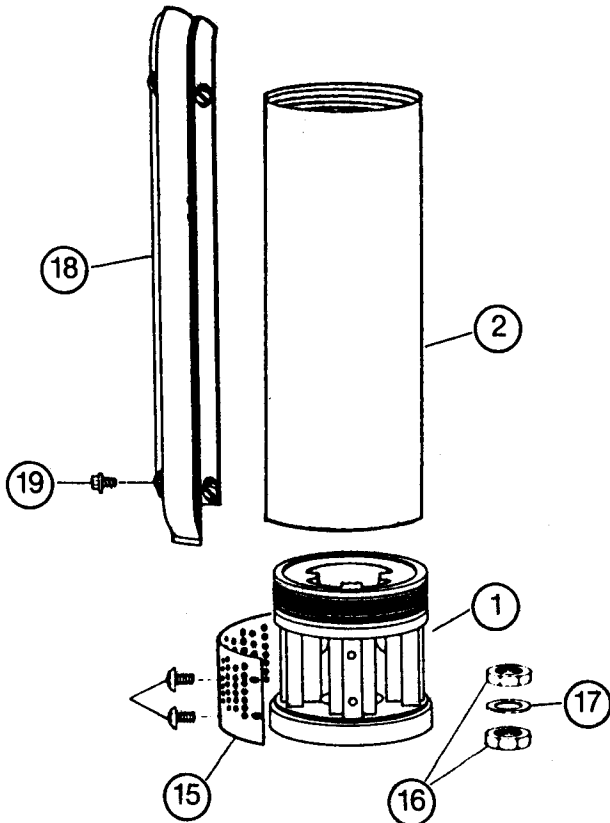
* NOTE: Refer to Page 262 for number of stages

* Models with Intermediate Bearings — J208M, J2011M, J308M, J3011M, J5018M & J520M

1400/276

THINLINE Submersible Pumps

T57
T77
T107



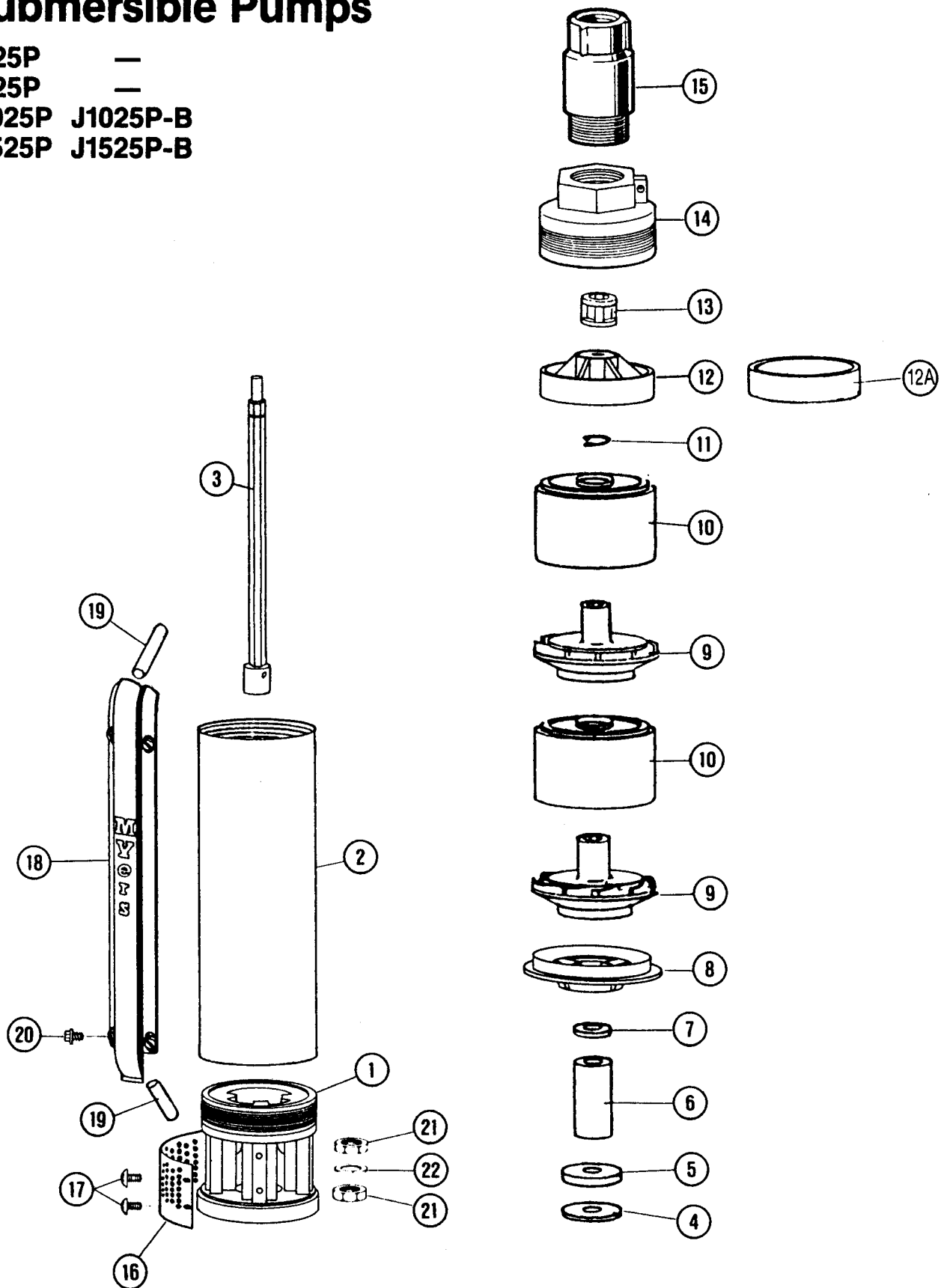
REF. NO.	PART NO.	DESCRIPTION
1	24019B100	Bowl;Suction
2	25200B000 25200B001 25200B002	Shell;Pump — T57 Shell;Pump — T77 Shell;Pump — T107
3	24023B025K 24023B026K 24023B027K	Shaft;w/coupling — T57 Shaft;w/coupling — T77 Shaft;w/coupling — T107
4	23131A000	Spacer;Shaft and Coupling
5	23162A000	Washer;Thrust — 2 Req'd.
6	24857B000	Housing;Diffuser — 1 per stage*
7	24855B000	Impeller — 1 per stage*
8	24856B000	Diffuser — 1 per stage*
9	23162A000	Washer;Thrust — 1 per stage* (Except Bottom Stage - See Ref. No. 5)
10	12558A023	Ring;Retainer SST
11	24506A000	Bearing;Rubber
12	24475B100	Bowl;Discharge w/bearing
13	23175B001	Poppet;Check Valve
14	24476A000	Retainer;Check Valve Poppet
15	24025B100	Strainer;Plastic
16	19109A086	Nut; ^{5/16} -24UNF SST JAM — 5 Req'd.
17	06107A018	Washer; ^{5/16} SST Shakeproof
18	24509B010 24509B011 24509B012	Guard;Lead T57 Guard;Lead T77 Guard;Lead T107
19	05910A014	Screw;#6 × 1/4 SST Tapping — 4 Req'd.

* Refer to page 262 for number of stages.

1400/278

IRR-A-GATOR Submersible Pumps

J525P —
J725P —
J1025P J1025P-B
J1525P J1525P-B



REF. NO.	PART NO.	DESCRIPTION
1	24019B010	Bowl;Suction
2	23821B085 23821B082 23821B083 23821B084	Shell;Pump — J525P Shell;Pump — J725P Shell;Pump — J1025, J1025P-B Shell;Pump — J1525P, J1525P-B
3	24023B132K 24023B129K 24023B130K 24023B131K	Shaft;w/coupling — J525P Shaft;w/coupling — J725P Shaft;w/coupling — J1025P Shaft;w/coupling — J1525P Used with upper bearing housing
3	25286B001K 25286B002K 25286B003K 25286B004K	Shaft;w/coupling — J525P Shaft;w/coupling — J725P Shaft;w/coupling — J1025P, J1025P-B Shaft;w/coupling — J1525P, J1525P-B Used w/bearing in discharge bowl
4	24011A001 24011A002	Shim;SST 1 1/4" OD x 1/2" Hex ID x .005 Thk — As Req'd. Shim;SST 1 1/4" OD x 1/2" Hex ID x .015 Thk — As Req'd.
5	23808A004	Washer;Upthrust
6	24455A000	Spacer;Sleeve
7	05059A361	Shim;SST 3/4" OD x 1/2" Hex ID x .015 Thk — As Req'd.
8	24454B000	Body;w/SST Upthrust Bearing Plate
9	23810B000	Impeller — 1 per stage
10	23811B000	Housing;w/Diffuser — 1 per stage
11	12558A009	Ring;Retaining SST
12	23170B010	Housing;Upper Bearing (Used on units w/o bearing in discharge) No longer available — replaced by item 12A *
12A	23170B010	Housing (Used on units with bearing in discharge)
13	23173A010 24506A000	Bearing;Rubber (for units w/upper bearing housing) Bearing;Rubber (for units w/bearing in discharge)
14	25390B010	Bowl;Brass Discharge — Replaces SST discharge bowl
15	24429A002	Valve;Check — 1 1/4" NPT F x 1 1/4" NPT M
16	24342B000	Strainer;Suction SST
17	05434A051	Screw;Mach. SST #8-32 x 3/8" Phillips Truss Head — 2 Req'd.
18	24346B101 24346B106 24346B111 24346B135	Guard;Lead SST — J525P Guard;Lead SST — J725P Guard;Lead SST — J1025P, J1025P-B Guard;Lead SST — J1525P, J1525P-B
19	10649A035	Tube;Insulation — As Req'd.
20	05910A014	Screw;Self-Tapping SST #6 x 1/4" — 4 Req'd.
21	19109A086	Nut;Hex Jam SST 5/16-24UNF-2B (4 Req'd. - 5 Req'd. if no ground wire in pigtail)
22	06107A018	Washer;Lock 5/16 SST Shakeproof (only Req'd. if no ground wire in pigtail)

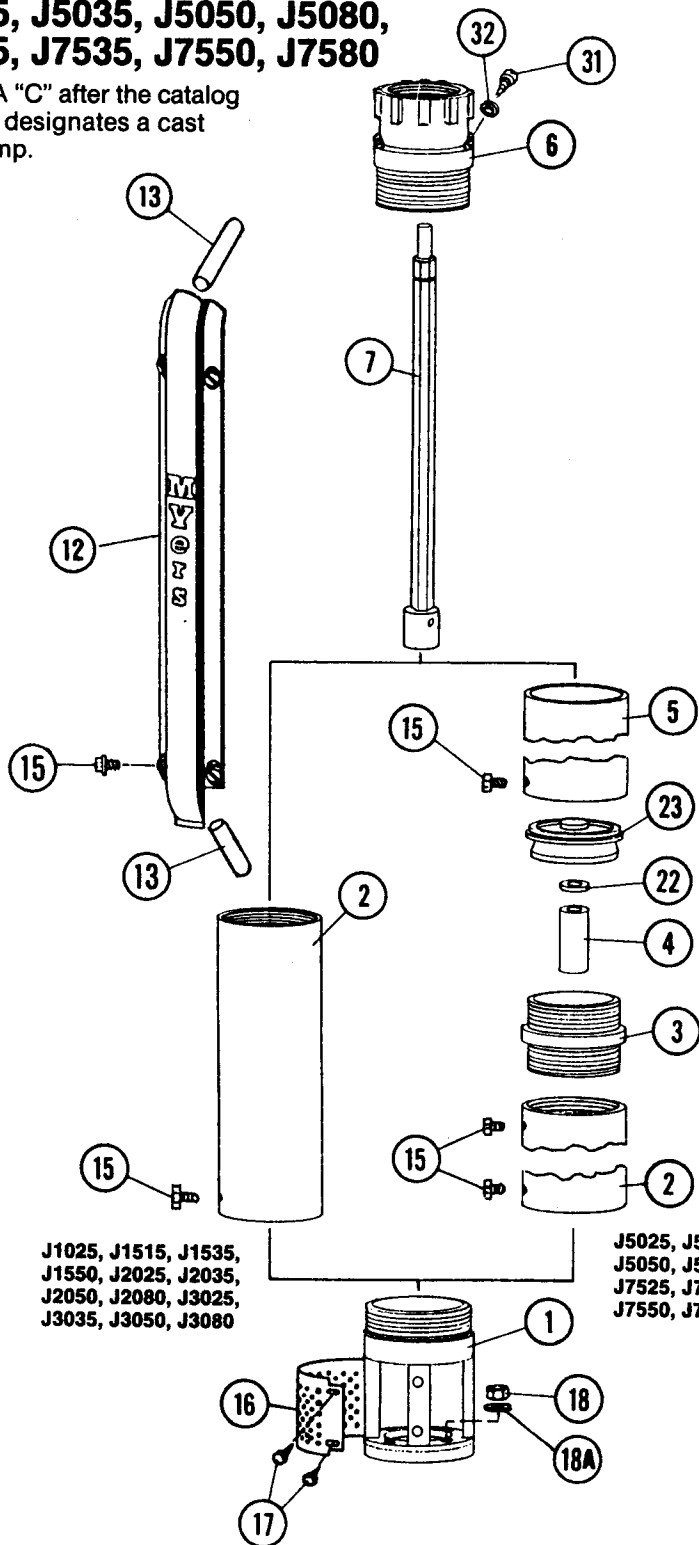
NOTE: Refer to page 262 for number of stages.

* Units manufactured prior to April, 1990 used an Upper Bearing Housing (Ref. No. 12) and Rubber Bearing (Ref. No. 13). The Discharge Bowl was redesigned to include a new bearing. To update your pump to the new design, replace the old Bearing Housing (Ref. No. 12) and Shaft (Ref. No. 3) with a new Housing (Ref. No. 12A), Shaft and Discharge Bowl with Bearing (Ref. No. 14).

SJ Extension 25-35-50-80 GPM Submersible Pumps

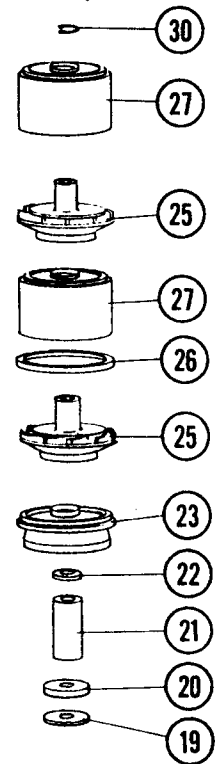
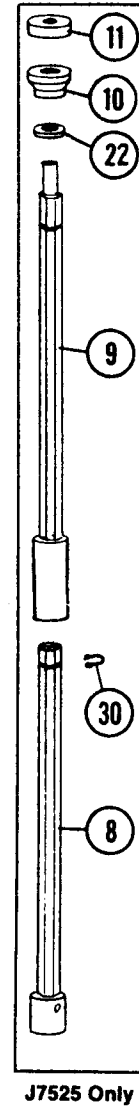
J1025, J1525, J1535, J1550,
J2025, J2035, J2050, J2080,
J3025, J3035, J3050, J3080,
J5025, J5035, J5050, J5080,
J7525, J7535, J7550, J7580

NOTE: A "C" after the catalog number designates a cast iron pump.

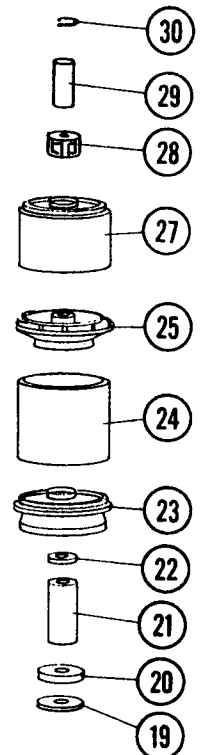


J1025, J1515, J1535,
J1550, J2025, J2035,
J2050, J2080, J3025,
J3035, J3050, J3080

J5025, J5035,
J5050, J5080,
J7525, J7535,
J7550, J7580



J1025, J1515, J1535,
J2025, J2035, J3025,
J3035, J5025, J5035,
J7525, J7535



J1550, J2050,
J2080, J3050,
J3080, J5050,
J5080, J7550, J7580

REF. NO.	PART NO.	DESCRIPTION
1	23801C000 23801C200	Bowl;Suction SST Bowl;Suction Cast Iron
2	23821B018 23821B002 23821B000 23821B021 23821B006 23821B001 23821B003 23821B004 23821B014 23821B008 23821B022 23821B013 23821B012 23821B005 23821B007 23821B009 23821B034 23821B015 23821B019 23821B016	Shell;Pump — J1025, J1025C Shell;Pump — J1525, J1525C Shell;Pump — J1535, J1535C Shell;Pump — J1550, J1550C Shell;Pump — J2025, J2025C Shell;Pump — J2035, J2035C Shell;Pump — J2050, J2050C Shell;Pump — J2080, J2080C Shell;Pump — J3025, J3025C Shell;Pump — J3035, J3035C Shell;Pump — J3050, J3050C Shell;Pump — J3080, J3080C Shell;Pump — J5025, J5025C Shell;Pump — J5035, J5035C Shell;Pump — J5050, J5050C Shell;Pump — J5080, J5080C Shell;Pump — J7525, J7525C Shell;Pump — J7535, J7535C Shell;Pump — J7550, J7550C Shell;Pump — J7580, J7580C
3	23825C000 23825C200	Housing;Intermediate Bearing SST — All 2 Shell Pumps Housing;Intermediate Bearing, Cast Iron
4	23809A002	Spacer;2.687" Lg. — All 2 Shell Pumps Except J7525 & J7525C
5	23821B011 23821B005 23821B007 23821B009 23821B033 23821B015 23821B017 23821B016	Shell;Pump — J5025, J5025C Shell;Pump — J5035, J5035C Shell;Pump — J5050, J5050C Shell;Pump — J5080, J5080C Shell;Pump — J7525, J7525C Shell;Pump — J7535, J7535C Shell;Pump — J7550, J7550C Shell;Pump — J7580, J7580C
6	23822C000 23822C200	Bowl;Discharge 2" NPT SST Bowl;Discharge 2" NPT, Cast Iron
7	23806B119K 23806B102K 23806B100K 23806B121K 23806B106K 23806B103K 23806B104K 23806B105K 23806B120K 23806B107K 23806B109K 23806B108K 23806B114K 23806B112K 23806B113K 23806B111K 23806B115K 23806B117K 23806B116K 10789A038K	Shaft;w/coupling — J1025, J1025C Shaft;w/coupling — J1525, J1525C Shaft;w/coupling — J1535, J1535C Shaft;w/coupling — J1550, J1550C Shaft;w/coupling — J2025, J2025C Shaft;w/coupling — J2035, J2035C Shaft;w/coupling — J2050, J2050C Shaft;w/coupling — J2080, J2080C Shaft;w/coupling — J3025, J3025C Shaft;w/coupling — J3035, J3035C Shaft;w/coupling — J3050, J3050C Shaft;w/coupling — J3080, J3080C Shaft;w/coupling — J5025, J5025C Shaft;w/coupling — J5035, J5035C Shaft;w/coupling — J5050, J5050C Shaft;w/coupling — J5080, J5080C Shaft;w/coupling — J7535, J7535C Shaft;w/coupling — J7550, J7550C Shaft;w/coupling — J7580, J7580C Pin; ³ / ₁₆ × 1 ¹ / ₄ " SST Split Tube
8	24017B100	Shaft;w/coupling — J7525 & J7525C Only
9	23806B200 10789A039	Shaft;w/Spacer — J7525 & J7525C Only Pin; ³ / ₁₆ × 1 ¹ / ₄ " SST Split Tube
10	05030A207	Bushing;Pump Upthrust — J7525 & J7525C Only
11	20958A002	Washer;Upthrust — J7525 & J7525C Only
12	24346B200 24346B202 24346B201 24346B203 24346B205 24346B204 24346B206 24346B208	Guard;Lead — J1025, J1025C (Replaces 23823B017) Guard;Lead — J1525, J1525C (Replaces 23823B002) Guard;Lead — J1535, J1535C (Replaces 23823B000) Guard;Lead — J1550, J1550C (Replaces 23823B018) Guard;Lead — J2025, J2025C (Replaces 23823B003) Guard;Lead — J2035, J2035C (Replaces 23823B001) Guard;Lead — J2050, J2050C (Replaces 23823B015) Guard;Lead — J2080, J2080C (Replaces 23823B004)

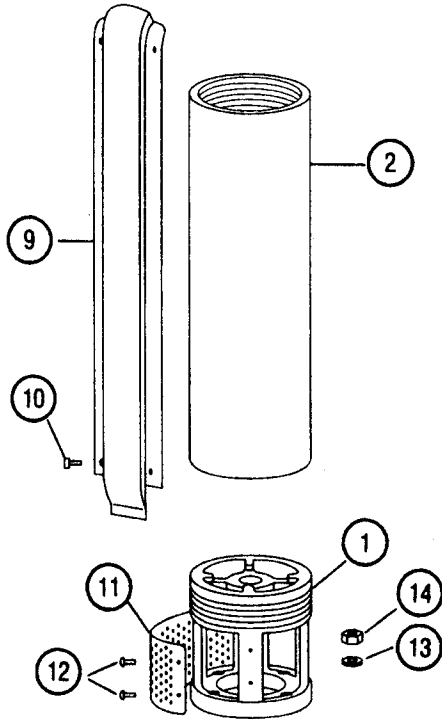
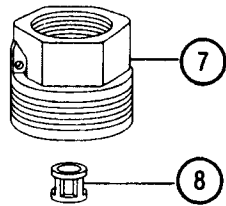
REF. NO.	PART NO.	DESCRIPTION
12	24346B209 24346B211 24346B213 24346B218 24346B215 24346B219 24346B221 24346B223 24346B224 24346B226	Guard;Lead — J3025, J3025C (Replaces 23823B007) Guard;Lead — J3035, J3035C (Replaces 23823B005) Guard;Lead — J3050, J3050C (Replaces 23823B019) Guard;Lead — J3080, J3080C (Replaces 23823B006) Guard;Lead — J5025, J5025C (Replaces 23823B010) Guard;Lead — J5035, J5035C (Replaces 23823B008) Guard;Lead — J5050, J5050C (Replaces 23823B009) Guard;Lead — J5080, J5080C (Replaces 23823B016) Guard;Lead — J7525, J7525C (Replaces 23823B014) Guard;Lead — J7535, J7535C (Replaces 23823B011) Guard;Lead — J7550, J7550C (Replaces 23823B013) Guard;Lead — J7580, J7580C (Replaces 23823B012)
12A	22614A001	Clamp — All 2 Shell Pump
13	10649A035	Tube;Insulation — As Req'd.
14	23181A000	Clip;Lead Guard (Used w/23823B000 Guard Only)
15	09822A038	Screw;#6-32UNC × 1/4" SST Tapping — 4 Req'd. on 1 Shell Units — 6 Req'd. on 2 Shell Units
16	23824B000	Screen;Suction
17	05434A041	Screw;#10-24UNC × 1/2" SST Machine — 2 Req'd.
18	19109A078	Nut;Hex ⁵ / ₁₆ -24UNF SST — 4 Req'd.
18A	06107A018	Washer; ⁵ / ₁₆ SST Shakeproof Lock — 4 Req'd.
19	24011A001 24011A002	Shim;1 ¹ / ₄ " O.D. × 1/2" Hex × .005" Thick — As Req'd. Shim;1 ¹ / ₄ " O.D. × 1/2" Hex × .015" Thick — As Req'd.
20	23808A004	Washer;Upthrust
21	23809A001	Spacer;SST Sleeve
22	05059A361	Shim; ³ / ₄ " O.D. × 1/2" Hex × .015" Thick — As Req'd.
23	23802B000 23803B000 23804B000 23805B000	Body — 1 Req'd. J1025, J1525, J2025, J3025 — 2 Req'd. J5025, J7525 Body — 1 Req'd. J1535, J2035, J3035 — 2 Req'd. J5035, J7535 Body — 1 Req'd. J1550, J2050, J3050 — 2 Req'd. J5050, J7550 Body — 1 Req'd. J2080, J3080 — 2 Req'd. J5080 & J7580
24	23816B000 23819B000	Collar — 1 Req'd. per stage on 50 GPM Units* Collar — 1 Req'd. per stage on 80 GPM Units*
25	23810B000 23812B000 23814B000 23817B000	Impeller — 1 Req'd. per stage on 25 GPM Units* Impeller — 1 Req'd. per stage on 35 GPM Units* Impeller — 1 Req'd. per stage on 50 GPM Units* Impeller — 1 Req'd. per stage on 80 GPM Units*
26	24018A000	Shim;.060 Thick — 1 Req'd. J1025, J1525, J1535, J2025, J2035, J3025, J3035 — 2 Req'd. J5025, J5035, J7525, J7535
27	23811B000 23813B000 23815B000 23818B000	Housing;w/diffuser — 1 Req'd. per stage on 25 GPM Units* Housing;w/diffuser — 1 Req'd. per stage on 35 GPM Units* Housing;w/diffuser with bearing — 1 Req'd. per stage on 50 GPM Units* Housing;w/diffuser with bearing — 1 Req'd. per stage on 80 GPM Units*
28	23820B000	Bearing;Rubber — 1 Req'd. per stage on 50 & 80 GPM Units*
29	23809A000 23809A003	Spacer;SST Sleeve — 1 Req'd. per stage on 50 GPM Units* Spacer;SST Sleeve — 1 Req'd. per stage on 80 GPM Units*
30	12558A009	Ring;Retainer SST
31	09822A008	Screw;#6-32UNC × 5/8" SST Tapping
32	06107A020	Washer;#6 SST Shakeproof Lock

*Refer to Page 262 for number of stages.

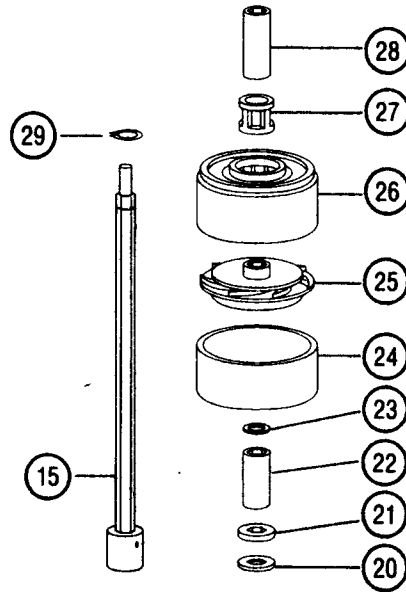
RANGER SST

Submersible Pumps

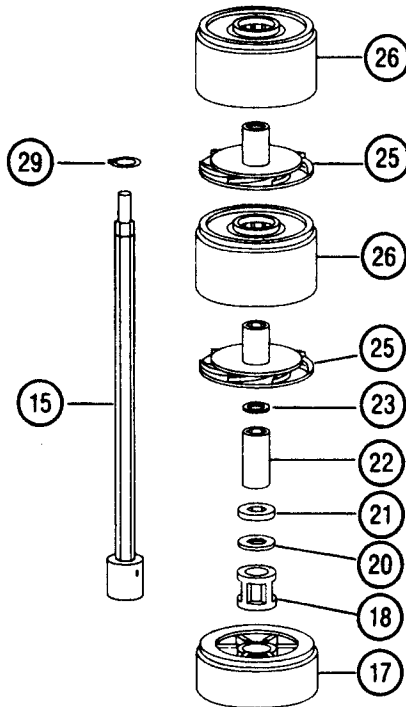
SS10-25	SS10-35	-	-
SS15-25	SS15-35	SS15-50	-
SS20-25	SS20-35	SS20-50	SS20-80
SS30-25	SS30-35	SS30-50	SS30-80
SS50-25	SS50-35	SS50-50	SS50-80
SS75-25	SS75-35	SS75-50	SS75-80
-	SS100-35	SS100-50	SS100-80



25, 35 & 50 gpm



50 & 80 gpm



25 & 35 gpm

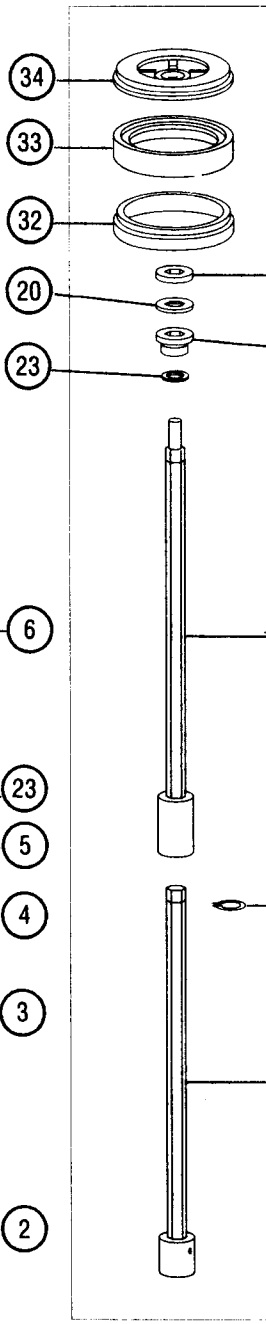
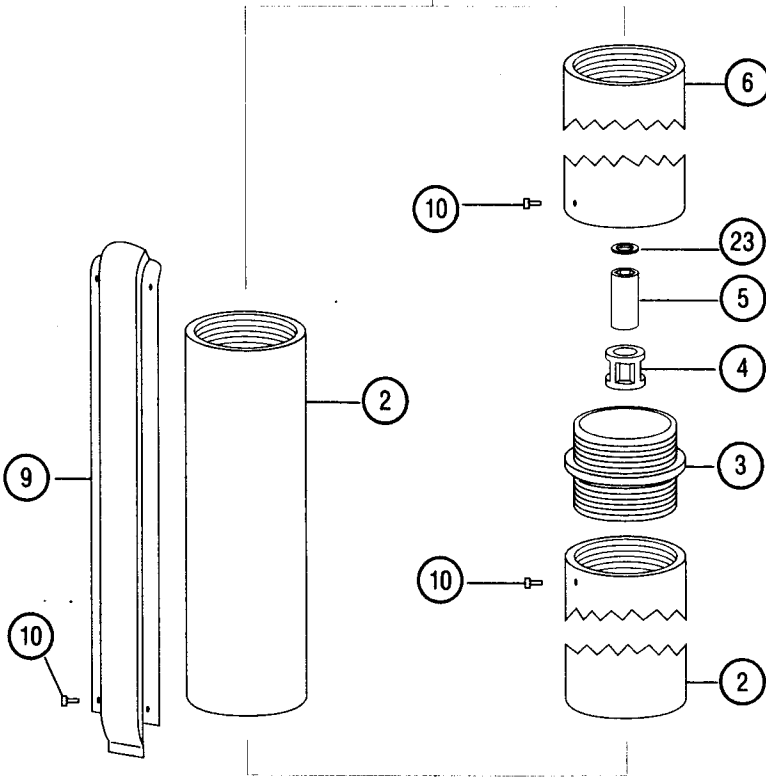
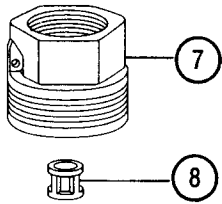
REF. NO.	PART NO.	DESCRIPTION
1	26005C900	Bowl; Suction, SST
2	23821B131 23821B084 23821B138 23821B142 23821B178 23821B179 23821B139 23821B140 23821B049 23821B103 23821B181 23821B182 23821B192 23821B084 23821B144 23821B009 23821B183 23821B184 23821B193 23821B004 23821B013 23821B186 23821B187 23821B194	Shell; Pump - SS10-25 Shell; Pump - SS15-25 Shell; Pump - SS20-25 Shell; Pump - SS30-25 Shell; Pump - SS50-25 Shell; Pump - SS75-25 Shell; Pump - SS10-35 Shell; Pump - SS15-35 Shell; Pump - SS20-35 Shell; Pump - SS30-35 Shell; Pump - SS50-35 Shell; Pump - SS75-35 Shell; Pump - SS100-35 Shell; Pump - SS15-50 Shell; Pump - SS20-50 Shell; Pump - SS30-50 Shell; Pump - SS50-50 Shell; Pump - SS75-50 Shell; Pump - SS100-50 Shell; Pump - SS20-80 Shell; Pump - SS30-80 Shell; Pump - SS50-80 Shell; Pump - SS75-80 Shell; Pump - SS100-80
7	26003B012 26003B002	Bowl; SST Discharge 2" NPT w/Bearing Bowl; SST Discharge 2" NPT
8	23173A010	Bearing; Rubber Discharge Bowl
9	24346B159 24346B117 24346B160 24346B127 24346B164 24346B171 24346B158 24346B114 24346B149 24346B134 24346B161 24346B163 24346B371 24346B117 24346B165 24346B166 24346B164 24346B167 24346B372 24346B208 24346B213 24346B221 24346B226 24346B373	Guard; Lead SST - SS10-25 Guard; Lead SST - SS15-25 Guard; Lead SST - SS20-25 Guard; Lead SST - SS30-25 Guard; Lead SST - SS50-25 Guard; Lead SST - SS75-25 Guard; Lead SST - SS10-35 Guard; Lead SST - SS15-35 Guard; Lead SST - SS20-35 Guard; Lead SST - SS30-35 Guard; Lead SST - SS50-35 Guard; Lead SST - SS75-35 Guard; Lead SST - SS100-35 Guard; Lead SST - SS15-50 Guard; Lead SST - SS20-50 Guard; Lead SST - SS30-50 Guard; Lead SST - SS50-50 Guard; Lead SST - SS75-50 Guard; Lead SST - SS100-50 Guard; Lead SST - SS20-80 Guard; Lead SST - SS30-80 Guard; Lead SST - SS50-80 Guard; Lead SST - SS75-80 Guard; Lead SST - SS100-80
10	05910A014	Screw; SST #6 x 1/4" Self-Tapping - 4 Req'd.
11	24342B000	Screen; SST Suction
12	05434A051	Screw, SST #8-32 x 3/8" Phillips Truss Hd. - 2 Req'd.
13	06107A018	Washer; SST 5/16 Shakeproof Lock - 4 Req'd.
14	19109A078	Nut; SST 5/16-24 UNF-2B Hex - 4 Req'd.

REF. NO.	PART NO.	DESCRIPTION
15	23806B135K 23806B137K 23806B139K 23806B141K 23806B161K 23806B162K 23806B134K 23806B136K 23806B138K 23806B140K 23806B164K 23806B111K 23806B174K 23806B145K 23806B146K 23806B147K 23806B155K 23806B166K 23806B175K 23806B105K 23806B108K 23806B169K 23806B170K 23806B176K	Shaft; w/coupling - SS10-25 Shaft; w/coupling - SS15-25 Shaft; w/coupling - SS20-25 Shaft; w/coupling - SS30-25 Shaft; w/coupling - SS50-25 Shaft; w/coupling - SS75-25 Shaft; w/coupling - SS10-35 Shaft; w/coupling - SS15-35 Shaft; w/coupling - SS20-35 Shaft; w/coupling - SS30-35 Shaft; w/coupling - SS50-35 Shaft; w/coupling - SS75-35 Shaft; w/coupling - SS100-35 Shaft; w/coupling - SS15-50 Shaft; w/coupling - SS20-50 Shaft; w/coupling - SS30-50 Shaft; w/coupling - SS50-50 Shaft; w/coupling - SS75-50 Shaft; w/coupling - SS100-50 Shaft; w/coupling - SS20-80 Shaft; w/coupling - SS30-80 Shaft; w/coupling - SS50-80 Shaft; w/coupling - SS75-80 Shaft; w/coupling - SS100-80
17	23170B010 23170B020	Housing; w/bearing - 25 & 35 GPM units Housing; Bearing - 25 & 35 GPM units
18	23820B000	Bearing; Rubber - 25 & 35 GPM units
20	24011A001 24011A002	Shim; SST 1.250 O.D. x 1/2 Hex I.D. x .005 thick - As Req'd. Shim; SST 1.250 O.D. x 1/2 Hex I.D. x .015 thick - As Req'd.
21	23808A004	Washer; Upthrust
22	23809A005 23809A006 23809A000	Bearing; SST Suction Bowl - 25 & 35 GPM Bearing; SST Suction Bowl - 50 GPM Bearing; SST Suction Bowl - 80 GPM
23	05059A361	Shim; SST 3/4 O.D. x 1/2 Hex I.D. x .015 thick - As Req'd.
24	23816B000 23819B000	Collar - 1 Req'd. per 50 GPM Stage* Collar - 1 Req'd. per 80 GPM Stage*
25	23810B000 23812B000 23814B000 23817B000	Impeller - 1 Req'd. per 25 GPM Stage* Impeller - 1 Req'd. per 35 GPM Stage* Impeller - 1 Req'd. per 50 GPM Stage* Impeller - 1 Req'd. per 80 GPM Stage*
26	23811B000 23813B000 23815B100 23818B100	Housing; w/diffuser - 1 Req'd. per 25 GPM Stage* Housing; w/diffuser - 1 Req'd. per 35 GPM Stage* Housing; w/diffuser and bearing - 1 Req'd. per 50 GPM Stage* Housing; w/diffuser and bearing - 1 Req'd. per 80 GPM Stage*
27	23820B000	Bearing; Rubber - 1 Req'd. per 50 & 80 GPM Stage*
28	23809A000 23809A007	Bearing; SST - 1 Req'd. per 50 GPM Stage* Bearing; SST - 2 Req'd. per 80 GPM Stage*
29	12558A009	Ring; SST Retaining

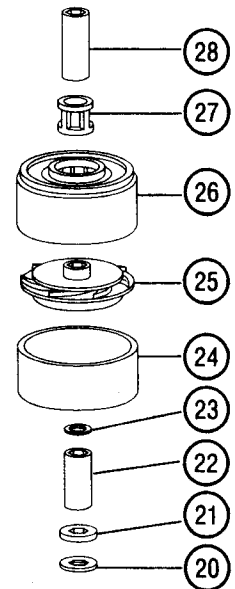
* NOTE: Refer to Page 262 for number of stages.

RANGER Submersible Pumps

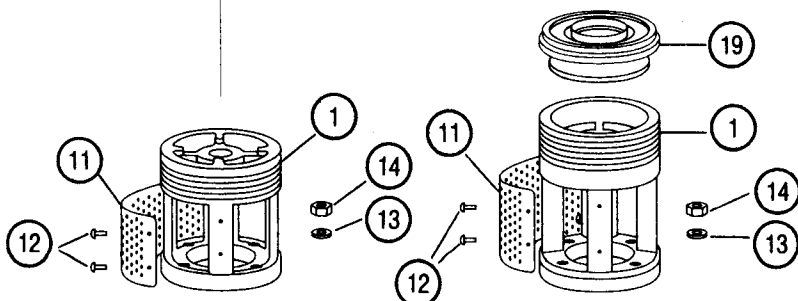
J1025B	J1035B	—	—
J1525B	J1535B	J1550B	—
J2025B	J2035B	J2050B	J2080B
J3025B	J3035B	J3050B	J3080B
J5025B	J5035B	J5050B	J5080B
J7525B	J7535B	J7550B	J7580B



J7525B only

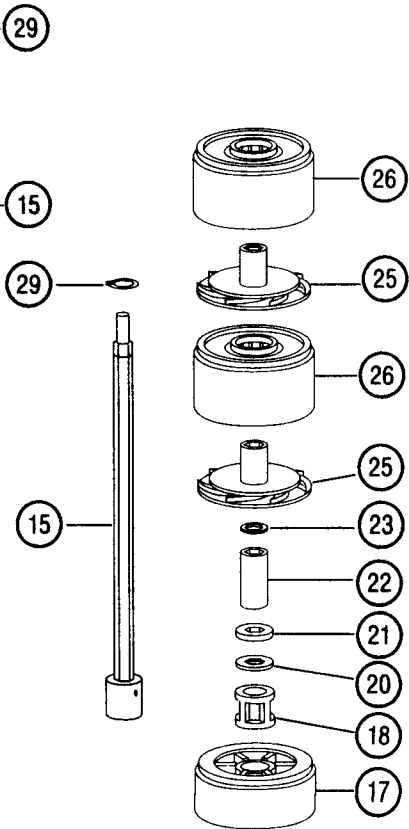


50 & 80 gpm



25, 35 & 50 gpm

80 gpm only



25 & 35 gpm