



**FLINT & WALLING**

Zoeller Family of Water Solutions™

# CENTRIFUGAL PUMPS

## Model CJ101

- 3/4, 1, 1-1/2, 2 and 3 HP sizes with single or three phase options.
- Brass or thermoplastic impellers
- Capacities to 3,400 GPH.
- Pressures to 95 PSI.
- Multi-Stage for high head

## Model CJ103

- 1/3, 1/2, 3/4, 1, 1-1/2 and 2 HP sizes with single or three phase options.
- Brass or thermoplastic impellers.
- Capacities to 6,800 GPH.
- Pressures to 45 PSI.
- Discharge can be rotated to any one of four positions for horizontal or vertical positioning.

*Featuring Flint & Walling's  
Service Plus Motor*



### Model CJ101

Some models not for sale in states following Proposition 65 and AB1953. Alternates are available.




### Model CJ103

Some models not for sale in states following Proposition 65 and AB1953. Alternates are available.

# CENTRIFUGAL PUMPS

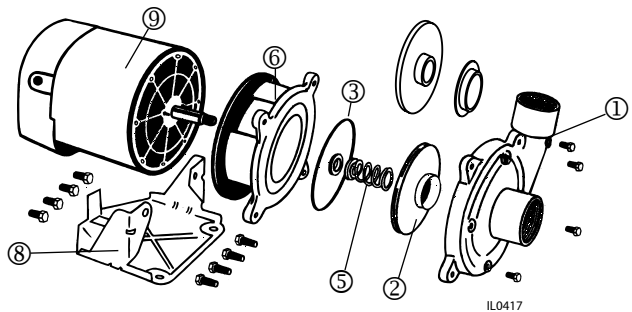
## SUCTION LIFT TO 25 FEET - PRESSURES TO 95 PSI

Flint & Walling single and multi stage CJ103 and CJ101 Centrifugal pumps are non-self priming with suction lifts up to 25 feet. Applications include booster service, water circulation, liquid transfer, cooling systems, jockey pump service and general service in farm, commercial and industrial applications.

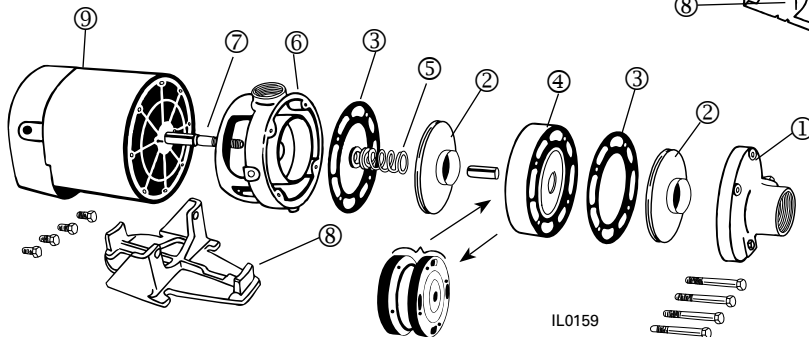
REF. NO.	COMPONENT DESCRIPTION	CJ103 SERIES 1/3 THRU 2 HP SINGLE STAGE MODELS	CJ101 SERIES 3/4 THRU 3 HP TWO & THREE STAGE MODELS
1	Suction Body	Cast iron w/brass clearance ring. Discharge port rotates in 90° increments. 1/4" vacuum tappings and drain plugs.	Cast iron w/brass clearance ring and 1/4" vacuum tapping.
2	Impeller(s)	Closed brass or closed thermoplastic	Closed brass or closed thermoplastic
3	Gasket(s)	Buna-N quadra seal	Lexide gasket, Buna-N quadra seal
4	Intermediate Stage(s)	Not applicable	Cast iron w/brass suction and hub clearance rings
5	Shaft Seal	Carbon-silicon carbide, stainless steel spring, and Buna-N	Carbon-silicon carbide, stainless steel spring, and Buna-N
6	Mounting Ring	Cast iron body	Cast iron body, 1/4" tapping for applications requiring a pressure switch
7	Pump Shaft	Threaded 416 stainless steel	Threaded 416 stainless steel
8	Base	Rigid steel base assembly	Heavy cast iron base assembly
9	Motor 	All pumps feature Flint & Walling's Service Plus 56 frame NEMA J, dual voltage ODP motors with permanently lubricated double ball bearing. Single or three phase options. TEFC motors available on selective models.	

Open Drip Proof (ODP) motor voltage  
 Single Phase: 1/3 thru 2 HP - 115/230V; 3 HP - 230V, 60HZ  
 Three Phase: 1/2 thru 2 HP - 208-230V/460V, 50/60HZ  
 3 HP - 208-230/460V; 60HZ

Totally Enclosed Fan Cooled (TEFC) motor voltage  
 Single Phase: 1/2 thru 3 HP - 115/230V 60/50HZ  
 Three Phase: 1/2 thru 3 HP - 208-230/460V 60/50HZ



**CJ103 SERIES**



**CJ101 SERIES**

CJ103 1/2, 3/4 and 1 HP series also available with autophoretic coating on inside of castings. Add suffix PC to Model No. Example: CJ103051PC.

# CENTRIFUGAL PUMPS



**FLINT & WALLING**

Zoeller Family of Water Solutions™

## PUMP PERFORMANCE

### CJ101 SERIES CENTRIFUGAL PUMPS, BRASS IMPELLERS

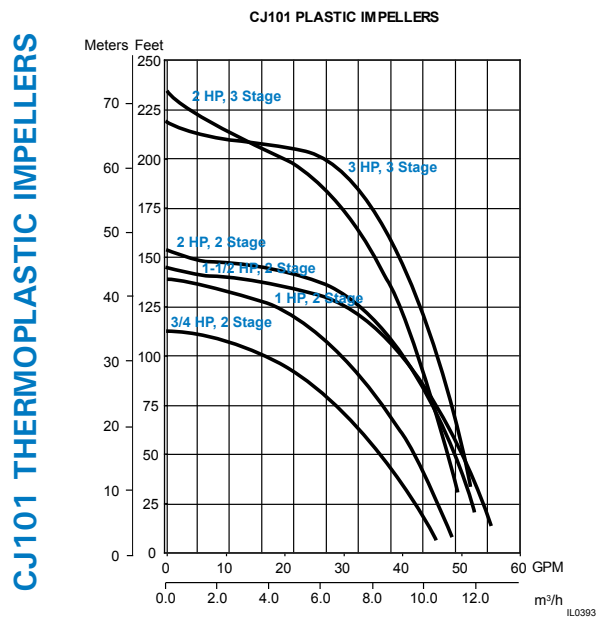
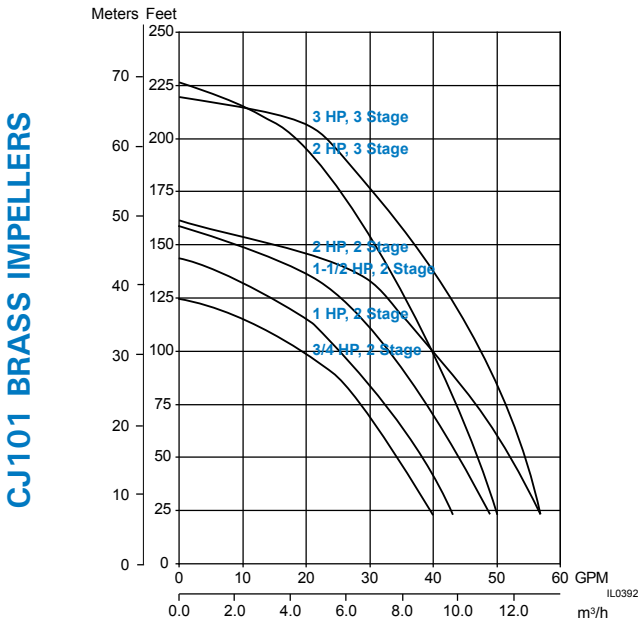
MODEL NO.		HP	STAGES	SUCTION LIFT FT.	CAPACITY U.S. GPM										MAX. PRESS. PSI	▲MAX. CASE PRESS.	▲MAX. LIQUID TEMP.
1 PHASE	3 PHASE				DISCHARGE PRESSURE PSI												
					10	20	30	40	50	60	70	80	90				
CJ101B071 † CJ101B071T †	CJ101B073 † CJ101B073T †	3/4	2	5	39	34	29	21	5						54	160psig	200° F
				15	38	33	26	18									
				25	31	29	23	12									
CJ101B101 † CJ101B101T †	CJ101B103 † CJ101B103T †	1	2	5	42	38	33	26	18					62	160psig	200° F	
				15	40	36	31	24	14								
				25	32	31	28	21									
CJ101B151 † CJ101B151T †	CJ101B153 † CJ101B153T †	1 1/2	2	5	48	44	39	34	27	17				69	160psig	200° F	
				15	44	42	37	31	24	10							
				25	34	33	32	29	20								
CJ101B201 † CJ101B201T †	CJ101B203 † CJ101B203T †	2	2	5	56	52	47	41	34	24				70	160psig	200° F	
				15	50	49	45	39	31	19							
				25	37	36	35	34	27								
CJ101C201 † CJ101C201T †	CJ101C203 † CJ101C203T †	2	3	5	49	47	43	40	36	32	28	22	12	98	160psig	200° F	
				15	45	44	42	39	35	31	26	19					
				25	35	34	33	32	31	29	23	15					
CJ101C301 † CJ101C301T †	CJ101C303 † CJ101C303T †	3	3	5	56	54	51	48	44	39	33	27	18	95	160psig	200° F	
				15	50	49	48	46	42	37	31	24					
				25	37	36	36	35	34	33	29	20					

†Not for sale in states following Proposition 65 and AB1953. Alternates are available.

### CJ101 SERIES CENTRIFUGAL PUMPS, PLASTIC IMPELLERS

MODEL NO.		HP	STAGES	SUCTION LIFT FT.	CAPACITY U.S. GPM										MAX. PRESS. PSI	▲MAX. CASE PRESS.	▲MAX. LIQUID TEMP.
1 PHASE	3 PHASE				DISCHARGE PRESSURE PSI												
					10	20	30	40	50	60	70	80	90				
CJ101P071	CJ101P073	3/4	2	5	41	35	28	20						49	160psig	160° F	
				15	38	32	26	13									
				25	32	29	22										
CJ101P101	CJ101P103	1	2	5	45	40	35	28	20				60	160psig	160° F		
				15	42	39	33	26	15								
				25	35	33	30	22									
CJ101P151	CJ101P153	1 1/2	2	5	54	50	44	38	28				61	160psig	160° F		
				15	48	46	42	35	23								
				25	37	35	33	28	17								
CJ101P201	CJ101P203	2	2	5	55	52	47	41	34	23			67	160psig	160° F		
				15	49	47	45	39	30	17							
				25	37	36	33	32	26								
CJ101D201	CJ101D203	2	3	5	44	44	44	41	37	32	28	22	16	101	160psig	160° F	
				15	36	36	36	36	35	30	25	20	11				
				25	26	26	24	24	24	22	20	15					
CJ101D301	CJ101D303	3	3	5	54	52	50	47	44	39	33	25	15	95	160psig	160° F	
				15	48	47	46	45	42	37	30	22	11				
				25	36	36	36	35	33	31	27	19					

▲Do not exceed the maximum case pressure and maximum liquid temperature rating of the pump  
 Performance shown for 60Hz models. 50 Hz models also available.  
 Models with suffix T denotes TEFC motor. All other models utilize ODP motors.  
 Suction and Discharge Tappings 1-1/2" X 1-1/4"



# CENTRIFUGAL PUMPS



**FLINT & WALLING**

*Zoeller Family of Water Solutions™*

## PUMP PERFORMANCE

### CJ103 SERIES CENTRIFUGAL PUMPS, BRASS IMPELLERS

MODEL NO.		HP	STAGES	SUCTION LIFT FT.	CAPACITY U.S. GPM										MAX. PRESS. PSI	▲MAX. CASE PRESS.	▲MAX. LIQUID TEMP.
1 PHASE	3 PHASE				DISCHARGE PRESSURE PSI												
					10	15	20	25	30	35	40	45	50				
CJ103031 †		1/3	1	5	42	34	21								27	100psig	200° F
				15	36	26											
				25	28												
CJ103051 † CJ103051T †	CJ103053 † CJ103053T †	1/2	1	5	50	47	37	25						32	100psig	200° F	
				15	43	40	29	9									
				25	33	30	15										
CJ103071 CJ103071T	CJ103073 CJ103073T	3/4	1	5	71	62	51	36	11					32	100psig	200° F	
				15	66	54	40	19									
				25	57	43	25										
CJ103101 CJ103101T	CJ103103 CJ103103T	1	1	5	76	69	61	50	36	16				39	100psig	200° F	
				15	73	65	54	41	24								
				25	66	57	45	29									
CJ103151 CJ103051T	CJ103153 CJ103053T	1 1/2	1	5	94	88	80	70	59	44	18			43	100psig	200° F	
				15	92	85	75	63	49	27							
				25	74	72	66	52	34								
CJ103201 CJ103201T	CJ103203 CJ103203T	2	1	5	109	103	96	86	75	61	39			44	100psig	200° F	
				15	109	103	94	82	67	45							
				25	90	89	85	71	51								

†Not for sale in states following Proposition 65 and AB1953. Alternates are available.

### CJ103 SERIES CENTRIFUGAL PUMPS, PLASTIC IMPELLERS

MODEL NO.		HP	STAGES	SUCTION LIFT FT.	CAPACITY U.S. GPM										MAX. PRESS. PSI	▲MAX. CASE PRESS.	▲MAX. LIQUID TEMP.
1 PHASE	3 PHASE				DISCHARGE PRESSURE PSI												
					10	15	20	25	30	35	40	45	50				
CJ103P031	CJ103P033	1/3	1	5	43	35	21							26	100psig	160° F	
				15	35	24											
				25	26												
CJ103P051	CJ103P053	1/2	1	5	45	45	44	36	19					32	100psig	160° F	
				15	41	41	38	24									
				25	31	29	27										
CJ103P071	CJ103P073	3/4	1	5	69	68	64	57	42	20				38	100psig	160° F	
				15	64	62	57	46	28								
				25	49	48	45	31									
CJ103P101	CJ103P103	1	1	5	67	65	64	62	51	35				40	100psig	160° F	
				15	61	59	58	55	41								
				25	47	46	45	43	23								
CJ103P151	CJ103P153	1 1/2	1	5	68	67	66	65	63	52	31			44	100psig	160° F	
				15	62	61	60	59	55	39							
				25	48	47	46	45	41								

▲Do not exceed the maximum case pressure and maximum liquid temperature rating of the pump. Performance shown for 60Hz models. 50 Hz models also available. Models with suffix T denotes TEFC motor. All other models utilize ODP motors. Suction and Discharge Tappings 1-1/2" X 1-1/4"

