





MH Series Horizontal Multi-stage Pump Owner's Manual


Before Getting Started


Read and follow safety instructions. Refer to product data plate(s) for additional operating instructions and specifications.

This is the safety alert symbol. When you see this  symbol on your pump or in this manual, look for one of the following signal words and be alert to the potential for personal injury:

 DANGER warns about hazards that will cause serious personal injury, death or major property damage if ignored.

 WARNING warns about hazards that **can** cause serious personal injury, death or major property damage if ignored.

 CAUTION warns about hazards that **will** or **can** cause minor personal injury or major property damage if ignored.

 NOTICE indicates special instructions which are imported but not related to hazards. **Carefully read and follow all safety instructions in this manual and on pump.**



WARNING

RISK OF ELECTRIC SHOCK - This pump is supplied with a grounding conductor and grounding type attachment plug. To reduce risk of electric shock, be certain that it is connected only to a properly grounded, grounding-type receptacle. Disconnect power before working on or around the system. Do not use in swimming areas.

This equipment should be installed by technically qualified personnel. Failure to install it in compliance with national and local electrical codes and within Franklin Electric recommendations may result in electrical shock or fire hazard, unsatisfactory performance or equipment failure. Installation information is available through pump manufacturers and distributors, or directly from Franklin Electric at our toll-free number 1-800-348-2420.

This equipment must not be used by children or persons with reduced physical, sensory or mental abilities, or lacking in experience and expertise, unless supervised or instructed. Children may not use the equipment, nor may they play with the equipment or in the immediate vicinity.

If power cord suffers damages, consider this product does not allow partial replacement and therefore should be fully replaced.

CAUTION

- Keep work area clean, well-lit, and uncluttered.
- Keep safety labels clean and in good condition.
- Wear safety glasses while installing or performing maintenance on pump.
- Do not run pump dry. Fill pump with water before starting or pump will be damaged.
- Make sure all ELECTRICAL POWER IS OFF before connecting any electrical wires. Follow all pump wiring instructions provided in the "Wiring" section of this manual.

Table of Contents

Before Getting Started	2
Introduction	4
Electrical Installation	7
Dual Voltage Adjustment	8
Operation	9
Maintenance	9
Service and Disassembly	10
Disassembly Instructions	10
Troubleshooting	11
Appendix 1 - HMS Performance Tables	12
Appendix 2 - Friction Loss Tables	13
Parts for Horizontal Multi-stage Pump	14
Warranty	15

MH Series Horizontal Multi-stage Pump

Introduction

The horizontal multi-stage centrifugal pump is well suited for the pumping of water in the housing, agricultural, and industrial markets. This multi-purpose pump is designed for sprinkling/irrigation systems, washing stations, draining/filling of ponds, etc., and water treatment systems. The all-stainless-steel wet end of this pump features corrosion-resistant material, increasing the longevity of the pump. This pump's quiet operation makes it very suitable for home use. The different models of the multi-stage centrifugal pump offer a wide range of varying flow rates and pressures. There is one model for highest shut-off capability, one for highest flow capacity, and a standard model for a good mix of both pressure and flow.

Features

Pump Casing/Shell	304 Stainless Steel
Hydraulics	304 Stainless Steel: corrosion-resistant, multi-stage from 2 to 6 stages
Mechanical Seal	Carbon/Ceramic/Fluoroelastomer (FKM)
Electric Motor	Square flange, thermally protected, dual voltage, 115 V - 230 V, single or three-phase, and hp ranging between 1/2 and 2, ensuring the proper motor is available to meet a wide range of applications
Shaft	7/16" stainless steel hexagonal

Inspect Your Shipment

All pumps are carefully tested, inspected, and packaged to ensure their arrival in perfect condition. When the pump is received, examine it closely to make sure there is no damage or broken parts that may have occurred in shipping. If damage is evident, report this immediately to your shipping carrier and dealer. The shipping carrier assumes full responsibility for the shipment's safe arrival. Any claim for damage to the shipment, either visible or concealed, must be made through the shipping carrier first.

Installation

Location of Pump

Decide on an area for the pump installation that is suitable based on the enclosure rating of the electric pump motor.

Indoor Pump Installation Option

Choose a clean, well-ventilated, weatherproof location that affords protection from freezing, flooding, and excessive heat. In addition, it should provide access for servicing and allow convenient draining of the pump, tank, and service pipes. A prepared foundation is not essential, provided the surface is hard and level. It can be located in the basement or utility room of your house, at the well or between the house and the well. **When installing outside of the house, the pump should be protected by a pump house with auxiliary heat to prevent possible freezing.**

MH Series Horizontal Multi-stage Pump

Piping the Well

Suction tapping on the pump is 1-1/4" (1-1/2" for 45 gpm) (FNPT) in size. Suction pipe diameter should never be smaller than the suction tapping.

A pump performs best when installed close to the well because suction lift and friction losses are kept to a minimum. Although an installation near the water source is preferred, it may be necessary or more convenient to locate the pump away from the well, lake or stream. **FOR A SHALLOW WELL INSTALLATION**, the offset is limited only by the suction lift and the friction in the plumbing system.

Plan your piping layout before starting the installation so that the correct pipe and fittings are on hand to complete the job. Keep the pipes clean, since pebbles and other foreign material can block the pump impeller and hinder operation. To avoid air pockets slope horizontal pipes continuously upward from water source to pump by at least 1 vertical inch for every 30" of horizontal run.

Horizontal Offset Suction Piping

When the pump is offset from the well, the horizontal offset suction piping may have to be increased in diameter to reduce friction loss. The friction loss in a system increases:

1. As the flow rate increases;
2. As the piping size decreases.

Consult included performance tables (Appendix I) and friction loss tables (Appendix II) to determine the amount of head lost for a given application. Pipes from the well to the pump should slope upward (about 1" of rise for every 30" of run).

Discharge Pipe Sizes for Installation

When the pump is located at a distance from points of water use, it is necessary to increase the discharge pipe size in order to reduce friction loss. The friction loss in a system increases:

1. As the flow rate increases;
2. As the piping size decreases.

Consult included performance tables (Appendix II) and friction loss tables (Appendix III) to determine the amount of head lost for a given application.

Shallow Well Installation (Figure 1)

Connect pump to well as shown in Figure 1. Shallow well operation, suitable for depths not exceeding 10 feet, requires only a single pipe to the water source. Typical water sources are wells, lakes, ponds, streams or rivers. Support the suction pipe so its weight is not carried by the pump. Installation should include a foot valve in the well or a check valve close to the pump. If the distance from the well to the pump is more than 40 horizontal feet, a check valve (installed close to the pump) is recommended in addition to the foot valve. The choice of using a check valve at the pump or a submerged foot valve depends on the individual installation parameters. A foot valve is required for a cased/dug well. Special care should be taken to ensure that all suction fittings are tight and sealed. Otherwise, the pump cannot be primed or will lose prime over a period of time.

MH Series Horizontal Multi-stage Pump

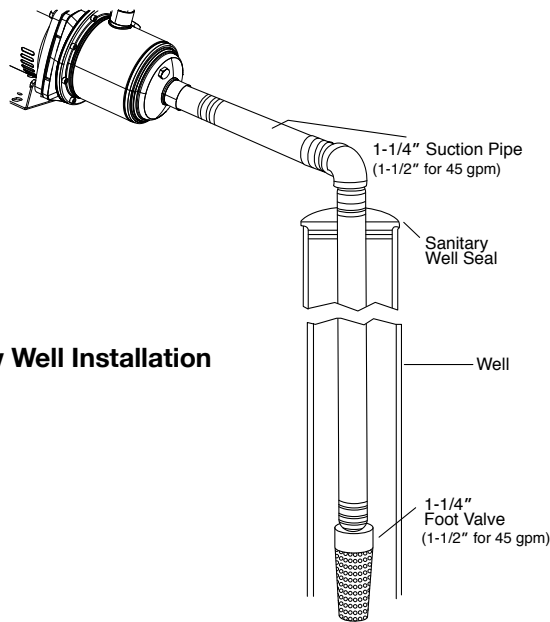


Figure 1 - Shallow Well Installation

Discharge Plumbing

When using this pump in a shallow well application it is recommended to use an in-line pressure switch and a properly sized pressure tank. This pump does not include a pressure switch and these items must be purchased separately. Adding a gate valve in the discharge line can save the need to drain the system when servicing the pump. Unions and other breakable pipe connections close to the pump allow for easy accessibility when servicing. This set-up is typical and suitable for shallow well pumping applications but not required for proper use.

Flooded Suction Booster Installation (Figure 2)

The horizontal multi-stage pump can be used in either an in-line or parallel boosting application. Common installation for boosting municipal water pressure is using the parallel installation (Figure 2). When using the pump in a boosting application, it is important to not exceed the maximum operating pressure of the pump of 145 psi. Install a pressure relief valve on any boosting application where the pump pressure can exceed the maximum working pressure of the plumbing, tank or of the system.

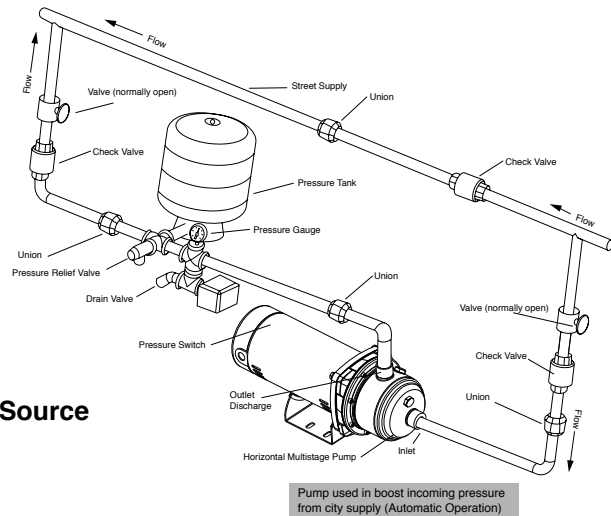


Figure 2 - Pump Installation Using Municipal Source

Pump used in boost incoming pressure from city supply (Automatic Operation)

MH Series Horizontal Multi-stage Pump

Installation Records

To keep an accurate record of your installation, be sure to fill out the data below:

Date of Installation: _____

Model No: _____

Depth of water (ft): _____

Suction pipe size: _____

Pressure switch setting

ON (psi): _____ OFF (psi): _____

Suction pipe length (ft.): _____

Discharge pipe length (ft.): _____

Voltage to motor: _____

Discharge pipe size: _____

Incoming Pressure (psi): _____

Electrical Installation



▲ WARNING Hazardous voltage can shock, burn or cause death.

▲ CAUTION If you are not sure of proper electrical connections, consult a licensed electrician.

▲ CAUTION Improper wiring can result in permanent damage to the motor. All electrical wiring should meet the local electrical code.

▲ NOTICE

READ AND FOLLOW ALL INSTRUCTIONS!

Pump connection must comply with National Electric Code (NEC) or Canadian Electric Code (CEC), and all applicable local codes.

All dual voltage units come factory preset for 230 Volts (Figure 3).

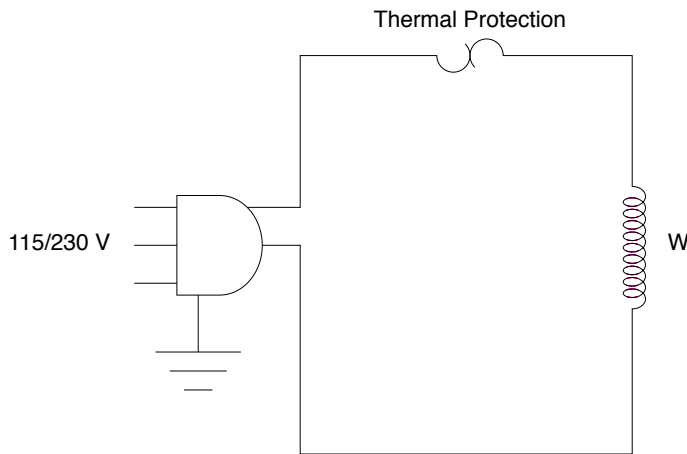
Disconnect power at electrical panel before making any electrical connections.

Supply voltage must be +/- 10% of motor nameplate voltage. Low or high voltage can damage the motor and will void the warranty.

If possible, connect pump to dedicated branch circuit with no other appliances on it.

Ground motor before connecting to power supply.

MH Series Horizontal Multi-stage Pump

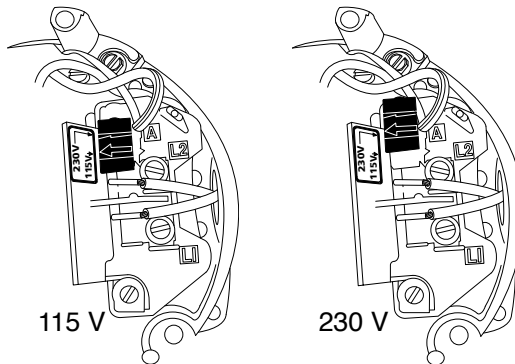


MH		
HP	W 1 ϕ	W 3 ϕ
1/2	860	990
3/4	1140	1200
1	1360	1660
1.5	1740	2160
2	2200	2600

Dual Voltage Adjustment

NOTE: To change the motor voltage (Figure 3) unplug the dual voltage connector on the motor and reconnect it in the position required to match the available electrical system. The motor can be set for 115 Volts or 230 Volts. Voltage setting of the motor can be determined by looking at the alignment of the arrow on the plug and the arrow on the motor terminal board (located under the motor's end cover). Any questions as to which voltage setting is required for proper motor and pump operation in your system should be directed to an electrical professional. The factory preset is 230 Volts.

Figure 3



▲ NOTICE

Check motor terminal cover or nameplate for wiring instructions. The essential pump motor facts are as follows:

1. 3450 rpm;
2. Single-phase;
3. Dual voltage, 115/230;
4. 1/2, 3/4, 1, 1-1/2, and 2 horsepower motors are wired for 230 Volts as a factory standard.

Note that all wiring is subject to official inspection and must conform to the local electrical code. Install a circuit breaker or fused disconnect switch near the pump. Connect the incoming power wires to the LINE terminals and the green or bare wire to the ground screw, then ground the entire unit.

MH Series Horizontal Multi-stage Pump

Operation

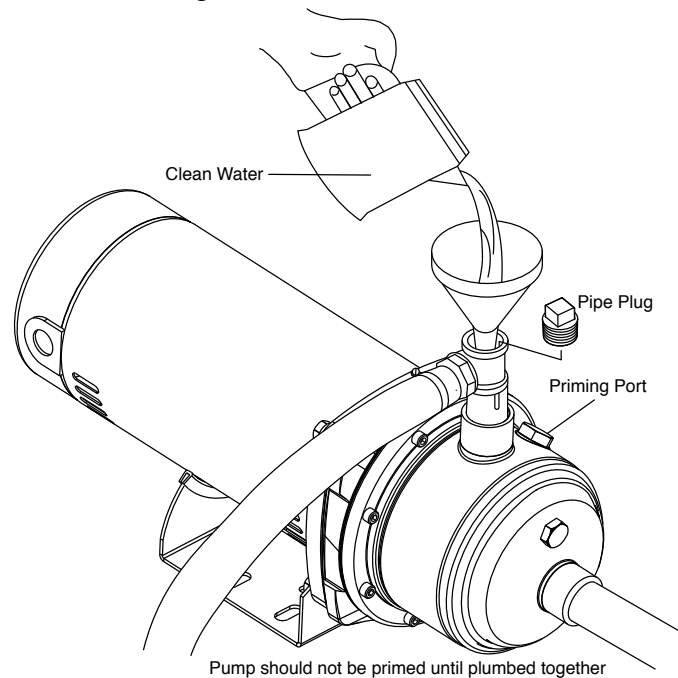
Priming (Figure 4)

The motor should not be started before pump is primed. **To prime the pump, fill the pump case and suction pipe completely with water.** Install discharge and suction fittings securely to ensure there are no system leaks. Use Priming Port.

Close all system outlets, then slightly crack one system outlet to allow for excess air to bleed from the plumbing system. Start the pump. Water will start pumping in a few minutes; the time is dependent on the distance to the water source. If after a few minutes of running you do not get water, repeat priming process as all air was not discharged from the pump. Once the pump is operating, open system outlets slowly and let pump operate until water runs clear. No further priming should be necessary unless: the pump is drained for repair or storage, there is a leak in the suction line plumbing, or there is a failure of the system's foot or check valves.

NOTE: Three-phase units are designed to run in a counter-clockwise manner when viewed from the pump end. Improper rotation can result in low performance or hydraulic failure.

Figure 4 - Priming Shallow Well with Priming T



MOTOR

▲ NOTICE Ensure motor is operating in a clean, dry environment.

Maintenance

Lubrication

▲ CAUTION The pump requires only water for lubrication and must never be run dry. Running the pump dry may cause damage to the pump and system components.

MH Series Horizontal Multi-stage Pump

Draining

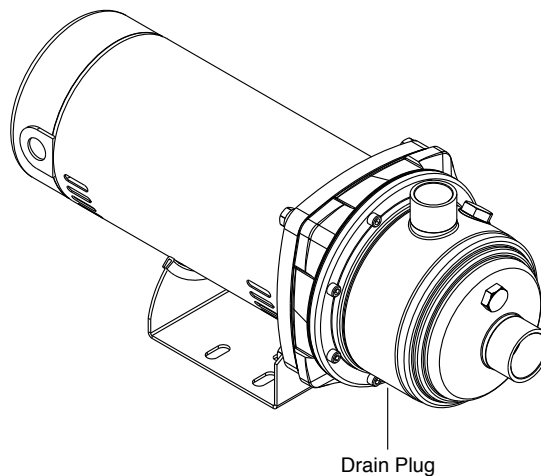


WARNING

Before disconnecting pump, be sure fuse box leads are disconnected or power is turned off. After reassembling the pump, refer to priming instructions before running. If your pump must be drained for service or to prevent damage from freezing, remove the drain plug from the pump case.

While this will drain the pump, it will not necessarily drain all other parts of the piping system. If there are any concerns with the proper procedure or necessity of draining the suction plumbing, contact your contractor.

All piping and water tanks exposed to freezing weather should be drained. If there are any concerns with the proper procedure to drain the system's pressure tank, contact the tank manufacturer for assistance.



Service and Disassembly

WARNING

Before disconnecting pump, be sure fuse box leads are disconnected or power is turned off at the breaker box. After reassembling the pump, refer to priming instructions before running.

Disassembly Instructions

NOTICE

If you experience problems with your pump, determine the possible causes from the service check list. (TROUBLESHOOTING) Follow the steps below to disassemble the pump. Reassemble in reverse order. Clean the seals and the sealing surfaces in the pump case. Lightly lubricate the rubber part of the seals with silicone grease to aid in assembly. DO NOT lubricate the carbon or ceramic faces on the shaft seal.

MH Series Horizontal Multi-stage Pump

1. Set the pump upright on end and rest it on the motor.
2. Remove the 8 socket-headed screws that hold wet end to the flange.
3. Pull the pump casing away from the flange and remove the last stage cover and set aside.
4. Remove the O-ring.
5. While securing the motor shaft so it does not rotate, unthread the pump shaft from the motor shaft.
6. Pull the hydraulic assembly away from the motor and flange.
7. Remove the mechanical shaft seal. (If you need to remove the stationary portion of the shaft seal, complete Step 8 first and then push the piece out from the back side of the seal plate. Seal plate can be removed without adapter flanges.)
8. Remove the 4 bolts that hold the motor to the flange and pull the flange away from the motor.

MH Series Troubleshooting Guide

Problem	Possible Cause	Corrective Action
Pump does not deliver water or pressure	1. The pump is fully primed.	1. Stop the pump, fill it with water, check all pipe connections to make sure there are no air leaks and try again.
Low pressure	1. The motor is not up to speed. 2. The impeller is partially plugged. 3. Air is leaking into suction line.	1. Check for proper voltage and tight wiring connections. 2. Check impeller for rocks or debris. Refer to disassembly instruction for getting to impeller. 3. Check suction line connections.
Low capacity	1. Your water level is deeper than 10 feet. 2. You are using too long a pipe from the water to the pump. 3. You have a plugged impeller. 4. The pipe from the pump to the water is partially plugged.	1. Pump can't pump below 10 feet. Call your Franklin Electric dealer. 2. Use a larger diameter pipe. 3. Check impeller. Refer to disassembly instructions above. 4. Check pipe.
Motor overheats	1. Improper voltage or wiring connections. 2. Improper ventilation for the motor.	1. Check to see if your voltage is the same as indicated on the motor name on dataplate. Be sure all wiring connections are tight. 2. Check to see if motor is clean and properly vented.
Loss of pressure when no water is used	1. Leaks in piping or valves. 2. Water level drops below the end of the pipe.	1. Check connections. 2. Pump is out-producing the well. Close down control valve gradually until pump starts operating properly.
Motor will not start	1. Open switches, blown fuses or loose connections. 2. Improper connections to motor.	1. Check switches, fuses, and connection. 2. Make sure connections are tight.
Air logging (excessive air in pipe)	1. Air leaks in pipe. 2. Water drops below the end of the pipe.	1. Check connections. 2. Pump is out-producing well. Tighten down control valve gradually until pump starts operating properly.
Gravelly noises inside pump (cavitation)	1. Water level is below 10 feet. 2. Suction pipe is too small or length of pipe is too long. 3. End of suction pipe is in mud or sand.	1. Call your Franklin Electric dealer. 2. Use a larger diameter pipe. 3. Raise end of suction pipe or clean out well.

MH Series Horizontal Multi-stage Pump

Appendix 1 - HMS Performance Tables

15 GPM Performance Table

HP	Capacities - GPM																							Shut-Off Head (PSI)
	Total Head - Feet																							
	50	60	70	80	90	100	110	120	130	140	150	160	170	180	190	200	210	220	230	240	250	260	270	
1/2	21	18	15	12	8	1																		44
3/4	25	23	21	19	18	16	14	12	9	6	1													66
1		26	25	24	23	21	20	18	17	15	14	12	10	8	5	1								88
1.5			27	26	25	25	24	23	22	21	20	19	18	16	15	14	12	10	9	6	4			111
2					27	26	25	25	24	23	22	21	21	20	19	18	17	16	15	14	12	11	10	135

30 GPM Performance Table

HP	Capacities - GPM																				Shut-Off Head (PSI)		
	Total Head - Feet																						
	50	60	70	80	90	100	110	120	130	140	150	160	170	180	190	200	210	220	230	240			
3/4	37	33	30	25	19	10																	47
1	43	41	40	37	35	32	29	26	22	17	11												69
1.5	44	43	42	41	39	38	36	35	33	31	28	26	23	19	15	10	3						93
2		44	44	43	42	41	40	39	38	37	35	34	32	30	28	26	24	21	18	15			116

45 GPM Performance Table

HP	Capacities - GPM											Shut-Off Head (PSI)
	Total Head - Feet											
	60	70	80	90	100	110	120	130	140	150	160	
1.5	64	59	52	43	26							47
2				62	58	54	48	42	33	22	9	71

MH Series Horizontal Multi-stage Pump

Appendix 2 - Friction Loss Tables

Note: Chart shows friction loss per 100' of pipe. To convert to friction loss per foot, move decimal point two places to the left.

1"

Schedule 40 pipe 1.049 in. i.d. / Type L Copper tube 1.025 in. i.d.					
GPM	Velocity Ft/S	Friction Loss Ft Hd./100' of pipe		Velocity Ft/S	Ft Hd./ 100' Pipe Fric. Loss C=130
		Steel C=100	PVC C=140		
2.0	0.74	0.60	0.32	.078	0.41
3.0	1.11	1.26	0.68	1.17	0.87
4.0	1.49	2.14	1.15	1.56	1.48
5.0	1.86	3.24	1.75	1.95	2.23
6.0	2.23	4.54	2.45	2.34	3.13
8.0	2.97	7.73	4.16	3.11	5.35
10	3.71	11.7	6.31	3.89	8.08
12	4.46	16.4	8.85	4.67	11.3
14	5.20	21.8	11.8	5.45	15.0
16	5.94	27.9	15.1	6.22	19.2
18	6.68	34.7	18.7	7.00	23.9
20	7.43	42.1	22.8	7.78	29.0
25	9.29	63.6	34.6	9.74	43.9
30	11.1	89.2	48.1	11.7	61.4
40	14.9	152	82.0	15.5	105

1-1/4"

Schedule 40 pipe 1.380 in. i.d. / Type L Copper tube 1.265 in. i.d.					
GPM	Velocity Ft/S	Friction Loss Ft Hd./100' of pipe		Velocity Ft/S	Ft Hd./ 100' Pipe Fric. Loss C=130
		Steel C=100	PVC C=140		
4.0	0.86	0.56	0.30	1.02	0.52
6.0	1.29	1.20	0.65	1.53	1.12
8.0	1.72	2.04	1.10	2.04	1.92
10	2.15	3.08	1.67	2.55	2.90
12	2.57	4.31	2.33	3.06	4.04
14	2.99	5.73	3.10	3.57	5.35
16	3.43	7.34	3.96	4.08	6.85
18	3.86	9.13	4.93	4.59	8.52
20	4.29	11.1	6.00	5.10	10.4
25	5.36	16.8	9.06	6.38	15.7
30	6.43	23.5	12.7	7.65	22.1
40	8.58	40.0	21.6	10.2	37.6
50	10.7	60.4	32.6	12.8	56.7
60	12.9	84.7	45.6	15.3	79.5
80	17.2	144	77.9	20.4	136

1-1/2"

Schedule 40 pipe 1.610 in. i.d. / Type L Copper tube 1.505 in. i.d.					
GPM	Velocity Ft/S	Friction Loss Ft Hd./100' of pipe		Velocity Ft/S	Ft Hd./ 100' Pipe Fric. Loss C=130
		Steel C=100	PVC C=140		
6.0	0.95	0.57	0.31	1.08	0.49
8.0	1.26	0.96	0.52	1.44	0.82
10	1.58	1.45	0.79	1.80	1.24
12	1.89	2.04	1.10	2.16	1.73
15	2.36	2.95	1.59	2.70	2.62
20	3.15	5.24	2.83	3.60	4.46
25	3.94	7.90	4.26	4.51	6.74
30	4.73	11.1	6.00	5.41	9.44
40	6.30	18.9	10.2	7.21	16.1
50	7.88	28.5	15.4	9.01	24.3
60	9.46	40.0	21.6	10.8	34.1
70	11.0	53.2	28.7	12.6	45.5
80	12.6	68.1	36.8	14.4	58.1
90	14.2	84.7	45.7	16.2	72.1
100	15.8	103	56.6	18.0	87.7

2"

Schedule 40 pipe 2.067 in. i.d. / Type L Copper tube 1.985 in. i.d.					
GPM	Velocity Ft/S	Friction Loss Ft Hd./100' of pipe		Velocity Ft/S	Ft Hd./ 100' Pipe Fric. Loss C=130
		Steel C=100	PVC C=140		
10	0.96	0.43	0.23	1.07	0.35
15	1.44	0.92	0.50	1.60	.075
20	1.91	1.55	0.84	2.13	1.24
25	2.39	2.35	1.27	2.66	1.87
30	2.87	3.29	1.78	3.19	2.62
40	3.82	5.60	3.03	4.26	4.48
50	4.78	8.46	4.57	5.32	6.76
60	5.74	11.9	6.44	6.39	9.47
70	6.69	15.8	8.53	7.45	12.6
80	7.65	20.2	10.9	8.52	16.2
90	8.61	25.1	13.6	9.58	20.0
100	9.56	30.5	16.5	10.7	24.4
120	11.5	42.7	23.1	12.8	34.1
150	14.3	64.7	35.0	16.0	51.6
200	19.1	110	59.4	21.3	87.8

LIMITED WARRANTY*

THIS WARRANTY SETS FORTH THE COMPANY'S SOLE OBLIGATION AND PURCHASER'S EXCLUSIVE REMEDY FOR DEFECTIVE PRODUCT.

Franklin Electric Company, Inc. and its subsidiaries (hereafter "the Company") warrants that the products accompanied by this warranty are free from defects in material or workmanship of the Company.

The Company has the right to inspect any product returned under warranty to confirm that the product contains a defect in material or workmanship. The Company shall have the sole right to choose whether to repair or replace defective equipment, parts, or components.

The buyer must return the product to an authorized Franklin Electric Distribution outlet for warranty consideration. Returns to the place of purchase will only be considered for warranty coverage if the place of purchase is an authorized Franklin Electric Distributor at the time the claim is made. Subject to the terms and conditions listed below, the Company will repair or replace to the buyer any portion of this product which proves defective due to materials or workmanship of the Company.

The Company will consider products for warranty for 12 months from the date of installation or for 24 months from the date of manufacture, whichever occurs first.

The Company shall IN NO EVENT be responsible or liable for the cost of field labor or other charges incurred by any customer in removing and/or affixing any product, part or component thereof.

The Company reserves the right to change or improve its products or any portions thereof without being obligated to provide such change or improvement to previously sold products.

THIS WARRANTY DOES NOT APPLY TO products damaged by acts of God, including lightning, normal wear and tear, normal maintenance services and the parts used in connection with such service, or any other conditions beyond the control of the Company.

THIS WARRANTY WILL IMMEDIATELY VOID if any of the following conditions are found:

1. Product is used for purposes other than those for which it was designed and manufactured;
2. Product was not installed in accordance with applicable codes, ordinances and good trade practices;
3. Product was not installed by a Franklin Certified Contractor; or
4. Product was damaged as a result of negligence, abuse, accident, misapplication, tampering, alteration, improper installation, operation, maintenance or storage, nor to an excess of recommended maximums as set forth in the product instructions.

NEITHER SELLER NOR THE COMPANY SHALL BE LIABLE FOR ANY INJURY, LOSS OR DAMAGE, DIRECT, INCIDENTAL OR CONSEQUENTIAL (INCLUDING, BUT NOT LIMITED TO, INCIDENTAL OR CONSEQUENTIAL DAMAGES FOR LOST PROFITS, LOST SALES, INJURY TO PERSON OR PROPERTY, OR ANY OTHER INCIDENTAL OR CONSEQUENTIAL LOSS), ARISING OUT OF THE USE OR THE INABILITY TO USE THE PRODUCT, AND THE BUYER AGREES THAT NO OTHER REMEDY SHALL BE AVAILABLE TO IT.

THE WARRANTY AND REMEDY DESCRIBED IN THIS LIMITED WARRANTY IS AN EXCLUSIVE WARRANTY AND REMEDY AND IS IN LIEU OF ANY OTHER WARRANTY OR REMEDY, EXPRESS OR IMPLIED, WHICH OTHER WARRANTIES AND REMEDIES ARE HEREBY EXPRESSLY EXCLUDED, INCLUDING BUT NOT LIMITED TO ANY IMPLIED WARRANTY OF MERCHANTABILITY OR FITNESS FOR A PARTICULAR PURPOSE, TO THE EXTENT EITHER APPLIES TO A PRODUCT SHALL BE LIMITED IN DURATION TO THE PERIODS OF THE EXPRESSED WARRANTIES GIVEN ABOVE.

DISCLAIMER: Any oral statements about the product made by the seller, the Company, the representatives or any other parties, do not constitute warranties, shall not be relied upon by the buyer, and are not part of the contract for sale. Seller's and the Company's only obligation, and buyer's only remedy, shall be the replacement and/or repair by the Company of the product as described above. Before using, the user shall determine the suitability of the product for his intended use, and user assumes all risk and liability whatsoever in connection therewith.

Some states and countries do not allow the exclusion or limitations on how long an implied warranty lasts or the exclusion or limitation of incidental or consequential damages, so the above exclusion or limitations may not apply to you. This warranty gives you specific legal rights, and you may also have other rights which vary from state to state and country to country.

Franklin Electric, in its sole discretion, may update this limited warranty from time to time. Any conflicting information relating to warranty procedures, whether in a user manual or otherwise, is hereby superseded by this document. Nonetheless, all references to the term, or length of a warranty term, will remain consistent with the warranty in place at the time of purchase.

*Contact Franklin Electric Co., Inc. Export Division for International Warranty.



Form 106592101
Rev. 1
05.16




Franklin Electric
9255 Coverdale Road, Fort Wayne, IN 46809
Tel: 260.824.2900 Fax: 260.824.2909
www.franklinwater.com





Serie MH
Bomba Horizontal de
Etapas Múltiples
Manual del usuario


Antes de empezar


Lea y siga las instrucciones de seguridad. Vea las placas de datos del producto para obtener instrucciones de operación y especificaciones adicionales.

Este es un símbolo de alerta de seguridad. Cuando vea este símbolo  en su bomba o en este manual, busque alguna de las siguientes palabras de señalización y esté alerta a la posibilidad de lesiones personales:

 PELIGRO avisa sobre peligros que causarán graves lesiones, muerte o daños materiales importantes cuando se ignoren.

 ADVERTENCIA avisa sobre peligros que **pueden** causar graves lesiones, muerte o daños materiales importantes cuando se ignoren.

 PRECAUCIÓN avisa sobre peligros que **causarán o pueden** causar lesiones menos importantes o daños materiales cuando se ignoren.

 AVISO indica instrucciones especiales, que son importantes pero que no están relacionadas a peligros.



ADVERTENCIA

RIESGO DE DESCARGA ELÉCTRICA - Esta bomba viene equipada con un conductor a tierra y un enchufe del tipo con conexión a tierra. Para reducir el riesgo de descarga eléctrica, asegúrese que se conecte solo a un receptáculo del tipo con conexión a tierra que esté conectado apropiadamente a tierra. Desconecte la alimentación antes de trabajar en el sistema o cerca de él. No use en áreas donde se practique natación.

Este equipo debe ser instalado por personal técnicamente calificado. El incumplimiento de las regulaciones locales y nacionales, así como de las recomendaciones de Franklin Electric, puede resultar en descargas eléctricas, riesgo de incendio, desempeño insatisfactorio o fallas en el equipo. Puede obtener la información para la instalación de los fabricantes o distribuidores de la bomba, o llamando directamente a Franklin Electric a nuestra línea gratuita, 1-800-348-2420.

Los niños o personas con habilidades físicas, sensoriales o mentales reducidas o sin experiencia, no deben usar este equipo a menos que estén supervisados o se les den instrucciones. Los niños no deben usar el equipo y no deben jugar con el equipo o en sus cercanías.

Si el cordón de alimentación es dañado, considere que este producto no permite su reemplazo, por lo que deberá buscarse la reposición del producto en su totalidad.

PRECAUCIÓN

- Mantenga limpia, bien iluminada y despejada el área de trabajo.
- Mantenga las etiquetas de seguridad limpias y en buenas condiciones.
- Use gafas de seguridad mientras está instalando o dando mantenimiento a la bomba.
- No opere la bomba en seco. Llene la bomba con agua antes de arrancarla o se dañará la bomba.
- Asegúrese de que toda la ALIMENTACIÓN ELÉCTRICA ESTÁ APAGADA antes de conectar cualquier cable eléctrico. Siga todas las instrucciones de cableado de la bomba que se proporcionan en la sección "Cableado" de este manual.

Índice

Antes de Empezar	2
Introducción.....	4
Instalación Eléctrica	7
Ajuste de Bivoltaje.....	8
Operación	9
Manutención	10
Manutención Y Desmontaje	11
Instrucciones de Desmontaje.....	11
Solución de Problemas.....	12
Apéndice 1 - Tablas de Desempeño HMS	13
Apéndice 2 - Tablas de Pérdida por Fricción.....	14
Piezas Para La Bomba Horizontal de Etapas Múltiples	15
Garantía Limitada	17

Serie MH Bomba Horizontal de Etapas Múltiples

Introducción

La bomba centrífuga horizontal de etapas múltiples se adapta bien al bombeo de agua en los mercados doméstico, de agrícola e industrial. La bomba multiuso está diseñada para sistemas de riego/irrigación, estaciones de lavado, drenaje/llenado de lagunas, etc., y sistemas de tratamiento de agua. El extremo húmedo totalmente de acero inoxidable de esta bomba cuenta con material resistente a la corrosión, lo que aumenta la duración de la bomba. El funcionamiento silencioso de esta bomba la hace apta para su uso en el hogar. Los modelos diferentes de la bomba centrífuga de etapas múltiples ofrecen una amplia variedad de velocidades de flujo y presiones diversas. Existe un modelo para la mayor capacidad de retención, uno para la mayor capacidad de flujo, y un modelo estándar para una buena combinación entre presión y flujo.

Características

Caja/armazón de la bomba	Acero inoxidable 304
Sistema hidráulico	Acero inoxidable 304: resistente a la corrosión, etapas múltiples de 2 a 6 etapas
Sello mecánico	Carbono/cerámica/Fluoroelastomer (FKM)
Motor eléctrico	Brida cuadrada, protección térmica, bivoltaje, 115 V-230 V, monofásica o trifásica y H.P. que va entre 1/2 y 2, lo que garantiza que el motor adecuado esté disponible para cubrir una amplia variedad de aplicaciones.
Eje	Hexagonal, de acero inoxidable, de 7/16 pulgadas

Inspección del Embalaje

Todas las bombas se prueban, inspeccionan y embalan cuidadosamente para asegurar su arribo en perfectas condiciones. Cuando se recibe la bomba, examinarla cuidadosamente para asegurarse que no hay averías o piezas quebradas que puedan haber ocurrido durante el envío. Si existen daños evidentes, relátelos inmediatamente a su despachante y distribuidor. Ese despachante asume total responsabilidad por la entrega segura del envío. Cualquier reclamación por daños durante el embarque, sean visibles o presumidos, se debe hacer primero al despachante.

Instalación

Ubicación de La Bomba

Elija un área para instalar la bomba que sea adecuada con base en la capacidad de la caja del motor eléctrico de la bomba.

Opción de Instalación de Bomba Interna

Elija un lugar limpio, bien ventilado y resguardado de intemperies que permita proteger la bomba de congelamiento, inundaciones o calor excesivo. Además, debe permitir fácil acceso para manutención y el drenaje conveniente de la bomba, el tanque y manutención de las tuberías. No es esencial que haya una base preparada, siempre que la superficie sea dura y nivelada. Se puede ubicar en el sótano o en un cuarto de servicio de su casa, en un pozo o entre la casa y el pozo.

Cuando se instale fuera de la casa, la bomba se debe proteger con un alojamiento con calor auxiliar para evitar posible congelamiento.

Serie MH Bomba Horizontal de Etapas Múltiples

Tuberías del Pozo

El tamaño de la toma de succión de la bomba es de 1-1/4" (1-1/2" para 45 gpm) (FNPT). El diámetro de la tubería de succión nunca debe ser menor que el de las llaves de succión.

Una bomba funciona mejor cuando se instala cerca del pozo, ya que las pérdidas por fricción y el levantamiento por succión se mantienen en un valor mínimo. A pesar de que es preferible instalarla cerca de la fuente de agua, puede resultar necesario o más conveniente colocar la bomba lejos del pozo, lago o arroyo. **PARA LA INSTALACIÓN EN UN POZO LLANO**, el desvío está limitado únicamente por el levantamiento por succión y la fricción en el sistema de tuberías.

Planifique la disposición de sus tuberías antes de comenzar la instalación, de modo que las tuberías y las conexiones correctas estén a mano para completar el trabajo. Mantenga las tuberías limpias, ya que piedras y otros materiales extraños pueden bloquear la turbina y dificultar el funcionamiento. Para evitar burbujas, incline las tuberías horizontales continuamente hacia arriba desde la fuente de agua hacia la bomba al menos 1 pulgada vertical cada 30" de longitud horizontal.

Tubería de Succión de Desvío Horizontal

Cuando la bomba está desviada del pozo, es posible que se tenga que aumentar el diámetro de la tubería de succión de desvío horizontal para reducir la pérdida por fricción. La pérdida por fricción en el sistema aumenta:

1. A medida que el flujo aumenta
2. A medida que el tamaño de la tubería se reduce

Consulte las tablas de desempeño (Apéndice 1) y las tablas de pérdida por fricción (Apéndice 2) para determinar la cantidad de pérdida en el cabezal para una determinada aplicación. Los tubos desde el pozo hasta la bomba deben de tener una inclinación hacia arriba (cerca de 1" de elevación cada 30" de longitud).

Tamaño de Los Tubos de Salida Para La Instalación

Cuando la bomba está ubicada a cierta distancia de los puntos de uso del agua, hay que aumentar el tamaño de los tubos de salida para reducir la pérdida por fricción. La pérdida por fricción en el sistema aumenta:

1. A medida que el flujo aumenta
2. A medida que el tamaño de la tubería se reduce

Consulte las tablas de desempeño (Apéndice II) y las tablas de pérdida por fricción (Apéndice III) para determinar la cantidad de pérdida en el cabezal para una determinada aplicación.

Instalación En Un Pozo Llano (Figura 1)

Conectar la bomba al pozo como se muestra en la Figura 1. El funcionamiento en un pozo llano, apto para profundidades que no superen los 10 pies, requiere una sola tubería a la fuente de agua. Las fuentes de agua típicas son pozos, lagos, lagunas, arroyos o ríos. Dé soporte al tubo de succión para que el peso no lo lleve la bomba. La instalación debe incluir una válvula de pedestal en el pozo o una válvula de control cerca de la bomba. Si la distancia del pozo a la bomba supera los 40 pies horizontales, además de la válvula de pedestal se recomienda colocar una válvula de control (instalada cerca de la bomba). La elección de usar una válvula de control en la bomba o una válvula de pedestal sumergida depende de los parámetros de instalación individuales. Para

Serie MH Bomba Horizontal de Etapas Múltiples

un pozo con caja o cavado, se requiere una válvula de pedestal. Se debe tener especial cuidado para asegurarse de que todas las conexiones de succión estén apretadas y selladas. De lo contrario, la bomba no puede cebarse o perderá cebado con el paso del tiempo

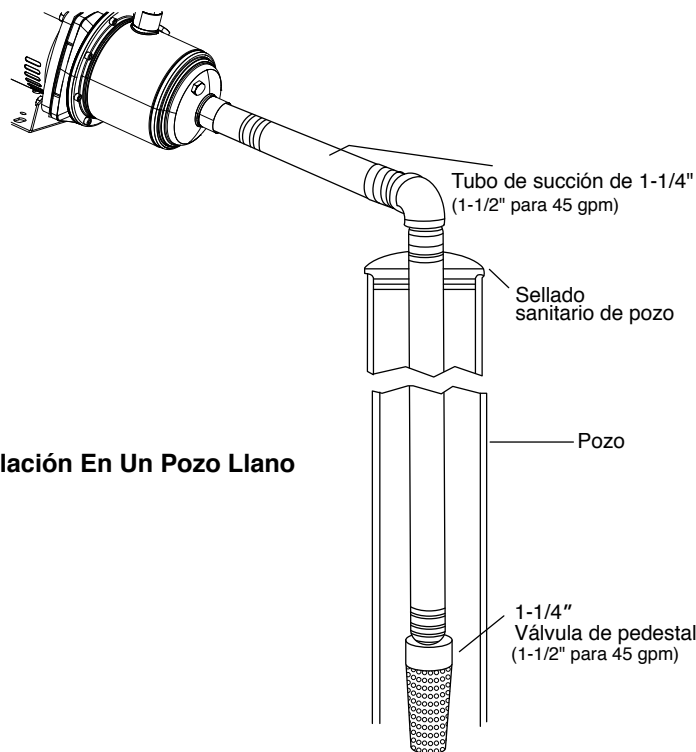


Figura 1 - Instalación En Un Pozo Llano

Tuberías de Salida

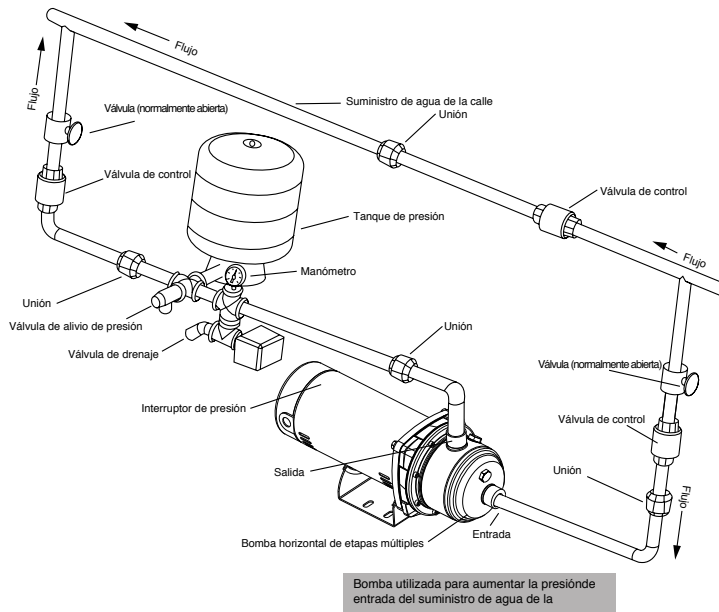
Al utilizar esta bomba en una aplicación de pozo llano, se recomienda usar un interruptor de presión en línea y un tanque de presión del tamaño adecuado. Esta bomba no incluye un interruptor de presión, y estos artículos se deben comprar por separado. Agregar una válvula de paso en la línea de salida puede ahorrar la necesidad de drenar el sistema al realizar la manutención de la bomba. Las uniones y otras conexiones de tubería que se puedan romper que están cerca de la bomba facilitan el acceso al realizar la manutención. Esta configuración es la habitual y es apta para las aplicaciones de pozo llano, pero no es necesaria para el uso correcto.

Instalación de Sistema de Bombeo Para Succión Inundada (Figura 2)

La bomba horizontal de etapas múltiples se puede utilizar tanto en aplicaciones de bombeo en línea como en paralelo. La instalación normal para aumentar la presión de agua municipal es utilizar la instalación en paralelo (Figura 2). Al usar la bomba en una aplicación de bombeo, es importante no superar la presión de funcionamiento máxima de la bomba, 145 psi. Instalar una válvula de alivio de presión en cualquier aplicación de bombeo donde la presión de la bomba pueda superar la presión de funcionamiento máxima de las tuberías, el tanque o el sistema.

Serie MH Bomba Horizontal de Etapas Múltiples

Figure 2 - Instalación de La Bomba Usando Fuente Municipal



Registros de La Instalación

Para mantener un registro adecuado de su instalación, cerciorarse de llenar los datos siguientes:

Fecha de la instalación: _____

Nº de modelo: _____

Profundidad del agua (pies): _____

Tamaño del tubo de succión: _____

Configuración del interruptor de presión

ENCENDIDO (PSI): _____ APAGADO (PSI): _____

Longitud del tubo de succión (pies): _____

Longitud del tubo de salida (pies): _____

Voltaje al motor: _____

Tamaño del tubo de salida: _____

Presión de entrada (PSI): _____

Instalación Eléctrica



AVISO

PRECAUCIÓN

PRECAUCIÓN

El voltaje peligroso puede causar descarga eléctrica, quemaduras o causar la muerte.

If you are not sure of proper electrical connections, consult a licensed electrician.

Improper wiring can result in permanent damage to the motor. All electrical wiring should meet the local electrical code.

Serie MH Bomba Horizontal de Etapas Múltiples

⚠ AVISO

¡LEA Y SIGA TODAS LAS INSTRUCCIONES!

La conexión de la bomba debe cumplir las normas del Código Eléctrico Nacional (NEC) o del Código Eléctrico Canadiense (CEC), y todos los códigos locales.

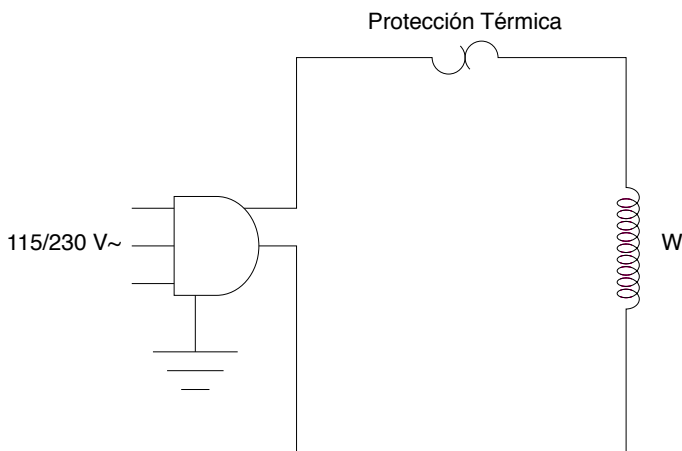
Todas las unidades bivoltaje vienen preparadas de fábrica para trabajar a 230 voltios. (Figura 3)

Desconectar la energía en el tablero eléctrico antes de hacer conexiones eléctricas.

El voltaje debe ser +/- 10% del voltaje nominal del motor. Un voltaje muy bajo o alto puede perjudicar el motor e invalidar la garantía.

Si fuese posible, conectar la bomba a un circuito exclusivo sin otras aplicaciones.

Conecte el motor a tierra antes de conectarlo a la fuente de alimentación.

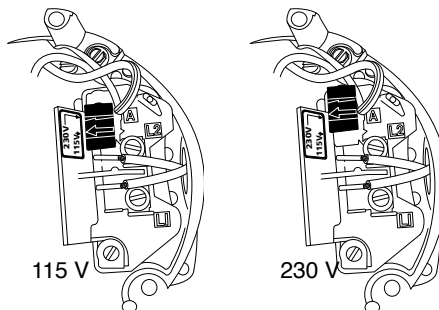


MH		
HP	W V1~	W V3~
1/2	860	990
3/4	1140	1200
1	1360	1660
1.5	1740	2160
2	2200	2600

Ajuste de Bivoltaje

NOTA: Para cambiar el voltaje del motor (Figura 3) desconectar el conector bivolt del motor y reconectarlo en la posición necesaria para el sistema eléctrico disponible. El motor puede configurarse en 115 voltios o 230 voltios. El voltaje del motor se puede determinar observando el alineamiento de la flecha del enchufe y la flecha del cuadro del terminal del motor (ubicado abajo de la tapa de la extremidad del motor). Todas las preguntas relativas a la determinación del voltaje necesario para la operación correcta del motor y de la bomba en su sistema se deben hacer a un electricista profesional. La fábrica lo predetermina a 230 voltios.

Figura 3



Serie MH Bomba Horizontal de Etapas Múltiples

⚠ AVISO

Verificar las instrucciones de cableado en tapa del terminal del motor o en la placa. Las características esenciales del motor de la bomba son las siguientes:

1. 3.450 R.P.M.
2. Monofásico
3. Bivolt, 115/230
4. Los motores de 1/2, 3/4, 1, 1-1/2, y 2 caballos de fuerza vienen cableados para 230 voltios como norma de fábrica.

Se debe tener en cuenta que todas las conexiones están sujetas a inspección oficial y deben cumplir las normas locales. Instalar un disyuntor o un interruptor de desconexión con fusibles cerca de la bomba. Conectar los cables de entrada de fuerza a los terminales de LÍNEA y el cable verde o sin revestimiento al tornillo de tierra; luego, conectar toda la unidad a tierra.

Operación

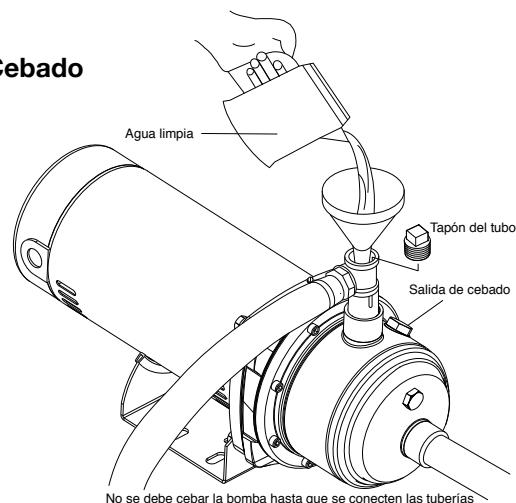
Cebado (Figura 4)

El motor no debe arrancarse antes de cebar la bomba. **Para cebar la bomba, llenar totalmente con agua la caja de la bomba y el tubo de succión.** Instalar firmemente las conexiones de salida y succión para asegurar que no haya pérdidas en el sistema. Usar el bocal de cebado.

Cerrar todas las salidas del sistema y romper ligeramente una salida del sistema para que el exceso de aire purgue del sistema de tuberías. Hacer funcionar la bomba. El bombeo de agua comenzará en unos pocos minutos; el tiempo depende de la distancia a la fuente de agua. Si después de unos minutos de funcionamiento no se obtiene agua, repetir el proceso de cebado ya que no ha salido todo el aire de la bomba. Una vez que la bomba esté funcionando, abrir lentamente las salidas del sistema y dejar que la bomba funcione hasta que el agua salga limpia. No será necesario el cebado adicional, a menos que: la bomba se drene para reparación o almacenamiento, haya una pérdida en las tuberías de la línea de succión, o haya una falla en las válvulas de pedestal o control del sistema.

Nota: Las unidades trifásicas están diseñadas para trabajo en dirección a las manecillas del reloj viéndose desde la descarga. Si rota incorrectamente puede producir una eficiencia mejor o fallas hidráulicas.

Figura 4 - Cebado del Pozo Llano con T de Cebado



Serie MH Bomba Horizontal de Etapas Múltiples

MOTOR

⚠ AVISO

Asegurarse de que el motor esté funcionando en un ambiente limpio y seco.

Manutención

Lubricación

La bomba sólo requiere agua para la lubricación y nunca se la debe hacer funcionar si está seca.

⚠ PRECAUCIÓN Hacer funcionar la bomba cuando está seca puede dañar la bomba y los componentes del sistema.

Drenaje



⚠ AVISO

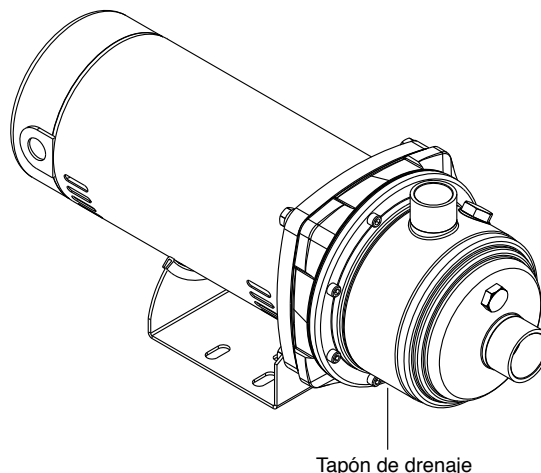
Antes de desconectar la bomba, cerciorarse que los contactos de la caja de fusibles estén desconectados o que esté desenchufada. Después de montar la bomba nuevamente, verificar las instrucciones de cebado antes de ponerla a funcionar.

Si debe drenar su bomba para manutención o para evitar los daños provocados por el congelamiento, retirar el tapón de drenaje de la caja de la bomba.

⚠ AVISO

Aunque este proceso drene la bomba, no necesariamente drenará las demás partes de la tubería. Si existe alguna preocupación sobre el procedimiento adecuado o necesidad de drenar la tubería de succión, entre en contacto con su contratista.

Todos los tanques de agua y las tuberías expuestos a condiciones de congelamiento deben drenarse. Si existe alguna preocupación sobre el procedimiento adecuado para el tanque de presión del sistema, entre en contacto con el fabricante del tanque para obtener ayuda.



Serie MH Bomba Horizontal de Etapas Múltiples

Manutención Y Desmontaje

AVISO

Antes de desconectar la bomba, cerciorarse que los contactos de la caja de fusibles estén desconectados o que esté desenchufada en la caja de cortacircuitos. Después de montar la bomba nuevamente, verificar las instrucciones de cebado antes de ponerla a funcionar.

Instrucciones de Desmontaje

Si se experimentan problemas con la bomba, determinar las causas posibles de la lista de verificación de manutención. (SOLUCIÓN DE PROBLEMAS) Seguir los pasos a continuación para desmontar la bomba. Montarla nuevamente en el orden inverso. Limpiar los sellos y las superficies de sellado de la caja de la bomba. Lubricar ligeramente la parte de caucho de los sellos con grasa siliconada para facilitar el montaje. NO lubricar las caras de carbono o cerámica del sello del eje.

1. Colocar la bomba en posición vertical sobre un extremo y apoyarla en el motor.
2. Sacar los 8 tornillos de cabeza hueca que sujetan el extremo húmedo a la brida.
3. Tirar de la caja de la bomba hacia afuera de la brida, sacar la tapa de la última etapa y dejarla a un costado.
4. Sacar la junta tórica.
5. Mientras se sujeta el eje del motor para que no gire, desenroscar el eje de la bomba del eje del motor.
6. Retirar el conjunto hidráulico del motor y la brida.
7. Sacar el sello del eje mecánico. (Si se necesita sacar la parte fija del sello del eje, primero se debe completar el paso 8 y después empujar la pieza hacia afuera desde el lado posterior de la placa del sello. La placa del sello puede sacarse sin las bridas de adaptador).
8. Sacar los 4 tornillos que sujetan el motor a la brida y retirar la brida del motor.

Serie MH Bomba Horizontal de Etapas Múltiples

Solución de Problemas

Problema	Causa Posible	Solución
La bomba no expelle agua o presión	1. La bomba está totalmente cebada.	1. Parar la bomba, llenarla de agua, verificar las conexiones de la tubería para asegurarse que no haya pérdidas de aire e intentar nuevamente.
Baja presión	1. El motor no está a la velocidad adecuada. 2. La turbina está parcialmente obstruida. 3. Sale aire por el tubo de succión.	1. Verificar el voltaje y apretar las conexiones de los cables. 2. Verificar si no hay piedras o residuos en la turbina. Consultar las instrucciones de desmontaje para tener acceso a la turbina. 3. Verificar las conexiones de la línea de succión.
Poca capacidad	1. El nivel del agua está a más de 10 pies. 2. Está usando un tubo muy largo desde el agua hasta la bomba. 3. La turbina está obstruida. 4. El tubo desde la bomba al agua está parcialmente obstruido.	1. La bomba no puede bombear a más de 10 pies. Consulte un distribuidor de Franklin Electric. 2. Use un tubo de diámetro mayor. 3. Verificar la turbina. Consultar las instrucciones de desmontaje anteriores. 4. Verificar el tubo.
Recalentamiento del motor	1. Voltaje o conexiones impropias. 2. Ventilación del motor inadecuada.	1. Verificar si el voltaje es el mismo indicado en el motor o en la placa de datos. Cerciorarse de que todas las conexiones de cable están bien ajustadas. 2. Verificar si el motor está limpio y bien ventilado.
Pérdida de presión cuando no se utiliza agua.	1. Pérdidas en tuberías o válvulas. 2. El nivel del agua cae debajo de la punta del tubo.	1. Verificar conexiones. 2. La bomba está tirando demasiado. Cerrar la válvula de control hacia abajo gradualmente hasta que la bomba comience a funcionar adecuadamente.
El motor no arranca	1. Interruptores abiertos, fusibles quemados o conexiones flojas. 2. Conexiones hasta el motor impropias.	1. Verificar los interruptores, fusibles y conexiones. 2. Cerciorarse que las conexiones estén apretadas.
Registro de aire (exceso de aire en el tubo)	1. Pérdidas de aire por el tubo. 2. El agua cae debajo de la punta del tubo.	1. Verificar conexiones. 2. La bomba está tirando demasiado. Apretar la válvula de control hacia abajo gradualmente hasta que la bomba comience a funcionar adecuadamente.
Ruidos de piedras dentro de la bomba (cavitación)	1. El nivel del agua está por debajo de los 10 pies. 2. El tubo de succión es muy chico o muy largo. 3. La punta del tubo de succión está en el barro o en la arena.	1. Consulte un distribuidor de Franklin Electric. 2. Use un tubo de diámetro mayor. 3. Levantar la punta del tubo de succión o limpiar el pozo.

Serie MH Bomba Horizontal de Etapas Múltiples

Apéndice 1 - Tablas de Desempeño HMS

15 GPM Tabla de desempeño

H.P.	Capacidades - GPM																								Cabezal de retención (PSI)
	Cabezal total - Pies																								
	50	60	70	80	90	100	110	120	130	140	150	160	170	180	190	200	210	220	230	240	250	260	270		
1/2	21	18	15	12	8	1																		44	
3/4	25	23	21	19	18	16	14	12	9	6	1													66	
1		26	25	24	23	21	20	18	17	15	14	12	10	8	5	1								88	
1.5			27	26	25	25	24	23	22	21	20	19	18	16	15	14	12	10	9	6	4			111	
2					27	26	25	25	24	23	22	21	21	20	19	18	17	16	15	14	12	11	10	135	

30 GPM Tabla de desempeño

H.P.	Capacidades - GPM																				Cabezal de retención (PSI)		
	Cabezal total - Pies																						
	50	60	70	80	90	100	110	120	130	140	150	160	170	180	190	200	210	220	230	240			
3/4	37	33	30	25	19	10																	47
1	43	41	40	37	35	32	29	26	22	17	11												69
1.5	44	43	42	41	39	38	36	35	33	31	28	26	23	19	15	10	3						93
2		44	44	43	42	41	40	39	38	37	35	34	32	30	28	26	24	21	18	15			116

45 GPM Tabla de desempeño

H.P.	Capacidades - GPM											Cabezal de retención (PSI)
	Cabezal total - Pies											
	60	70	80	90	100	110	120	130	140	150	160	
1.5	64	59	52	43	26							47
2				62	58	54	48	42	33	22	9	71

Serie MH Bomba Horizontal de Etapas Múltiples

Apéndice 2 - Tablas de Pérdida por Fricción

Nota: El gráfico muestra la pérdida por fricción para cada 100' de tubo. Para convertir para pérdida por fricción por pie, mover la coma dos casillas hacia la izquierda.

1"

Programar 40 tubos 1.049 pulgadas de diámetro interno/tubo de cobre de 1.025 pulgadas de diámetro interno tipo L					
GPM	Velocidad Pies/segundo	Pérdida por fricción Ft Hd./ 100' de tubo		Velocidad Pies/segundo	Ft Hd./ 100' de tubo Pérd. por fricc. C=130
		Acero C=100	PVC C=140		
2.0	0.74	0.60	0.32	.078	0.41
3.0	1.11	1.26	0.68	1.17	0.87
4.0	1.49	2.14	1.15	1.56	1.48
5.0	1.86	3.24	1.75	1.95	2.23
6.0	2.23	4.54	2.45	2.34	3.13
8.0	2.97	7.73	4.16	3.11	5.35
10	3.71	11.7	6.31	3.89	8.08
12	4.46	16.4	8.85	4.67	11.3
14	5.20	21.8	11.8	5.45	15.0
16	5.94	27.9	15.1	6.22	19.2
18	6.68	34.7	18.7	7.00	23.9
20	7.43	42.1	22.8	7.78	29.0
25	9.29	63.6	34.6	9.74	43.9
30	11.1	89.2	48.1	11.7	61.4
40	14.9	152	82.0	15.5	105

1-1/4"

Programar 40 tubos 1.380 pulgadas de diámetro interno/tubo de cobre de 1.265 pulgadas de diámetro interno tipo L					
GPM	Velocidad Pies/segundo	Pérdida por fricción Ft Hd./ 100' de tubo		Velocidad Pies/segundo	Ft Hd./ 100' de tubo Pérd. por fricc. C=130
		Acero C=100	PVC C=140		
4.0	0.86	0.56	0.30	1.02	0.52
6.0	1.29	1.20	0.65	1.53	1.12
8.0	1.72	2.04	1.10	2.04	1.92
10	2.15	3.08	1.67	2.55	2.90
12	2.57	4.31	2.33	3.06	4.04
14	2.90	5.73	3.10	3.57	5.35
16	3.43	7.34	3.96	4.08	6.85
18	3.86	9.13	4.93	4.59	8.52
20	4.29	11.1	6.00	5.10	10.4
25	5.36	16.8	9.06	6.38	15.7
30	6.43	23.5	12.7	7.65	22.1
40	8.58	40.0	21.6	10.2	37.6
50	10.7	60.4	32.6	12.8	56.7
60	12.9	84.7	45.6	15.3	79.5
80	17.2	144	77.9	20.4	136

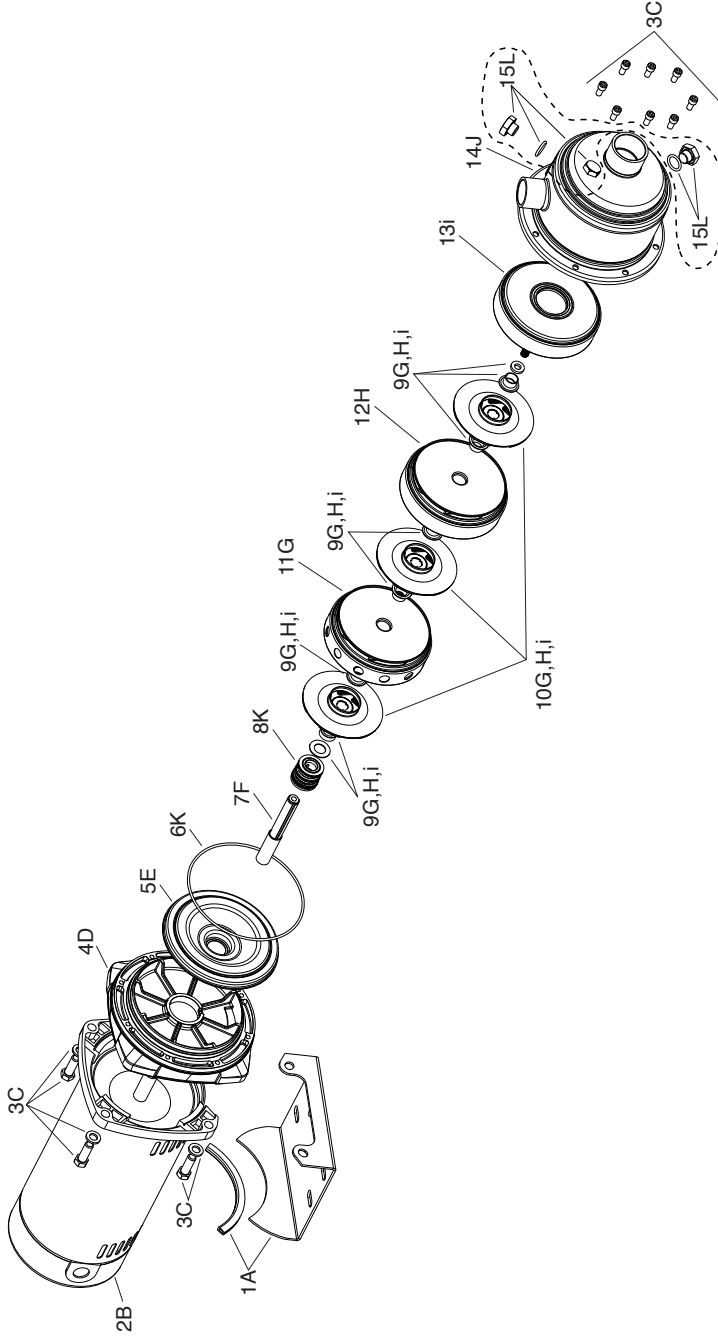
1-1/2"

Programar 40 tubos 1.610 pulgadas de diámetro interno/tubo de cobre de 1.505 pulgadas de diámetro interno tipo L					
GPM	Velocidad Pies/segundo	Pérdida por fricción Ft Hd./ 100' de tubo		Velocidad Pies/segundo	Ft Hd./ 100' de tubo Pérd. por fricc. C=130
		Acero C=100	PVC C=140		
6.0	0.95	0.57	0.31	1.08	0.49
8.0	1.26	0.96	0.52	1.44	0.82
10	1.58	1.45	0.79	1.80	1.24
12	1.89	2.04	1.10	2.16	1.73
15	2.36	2.95	1.59	2.70	2.62
20	3.15	5.24	2.83	3.60	4.46
25	3.94	7.90	4.26	4.51	6.74
30	4.73	11.1	6.00	5.41	9.44
40	6.30	18.9	10.2	7.21	16.1
50	7.88	28.5	15.4	9.01	24.3
60	9.46	40.0	21.6	10.8	34.1
70	11.0	53.2	28.7	12.6	45.5
80	12.6	68.1	36.8	14.4	58.1
90	14.2	84.7	45.7	16.2	72.1
100	15.8	103	56.6	18.0	87.7

2"

Programar 40 tubos 2.067 pulgadas de diámetro interno/tubo de cobre de 1.985 pulgadas de diámetro interno tipo L					
GPM	Velocidad Pies/segundo	Pérdida por fricción Ft Hd./ 100' de tubo		Velocidad Pies/segundo	Ft Hd./ 100' de tubo Pérd. por fricc. C=130
		Acero C=100	PVC C=140		
10	0.96	0.43	0.23	1.07	0.35
15	1.44	0.92	0.50	1.60	.075
20	1.91	1.55	0.84	2.13	1.24
25	2.39	2.35	1.27	2.66	1.87
30	2.87	3.29	1.78	3.19	2.62
40	3.82	5.60	3.03	4.26	4.48
50	4.78	8.46	4.57	5.32	6.76
60	5.74	11.9	6.44	6.39	9.47
70	6.69	15.8	8.53	7.45	12.6
80	7.65	20.2	10.9	8.52	16.2
90	8.61	25.1	13.6	9.58	20.0
100	9.56	30.5	16.5	10.7	24.4
120	11.5	42.7	23.1	12.8	34.1
150	14.3	64.7	35.0	16.0	51.6
200	19.1	110	59.4	21.3	87.8

Piezas Para La Bomba Horizontal de Etapas Múltiples



Serie MH Bomba Horizontal de Etapas Múltiples

Número	Descripción	Identificador de Agrupamiento de Kit*	Códigos de Pedido de Repuestos por Número de Modelo											
			15MH05S2	15MH07S3	15MH1S4	15MH15S5	15MH2S6	30MH07S2	30MH1S3	30MH15S4	30MH2S5	45MH15S2	45MH2S3	
1	Base	A	305373901											
2	Motor	B	305374901	305374902	305374904	305374905	305374910	305374902	305374907	305374909	305374911	305374905	305374911	
3	Kit de fijación	C,D	Los sujetadores necesarios se suministran con los kits según se requiera.											
4	Brida de adaptador	D	305408907											
5	Placa del sello	E	305421906											
6	Junta tórica	K	305408906											
7	Eje	F	305408908	305408909	305408910	305408911	305408908	305408909	305408910	305408912				
8	Sello mecánico	K	305421906											
9	Herrajes del sistema hidráulico	G,H,I	Ver kits de conjuntos de etapas											
10	Turbina	G,H,I	Ver kits de conjuntos de etapas											
11	Conjunto de etapa de salida	G	305408916	305408913	305408918	305408916	305408914	305408915						
12	Conjunto de etapa intermedia	H	305408919											
13	Conjunto de etapa de succión	I	305408921											
14	Caja de la bomba	C,J	305408901	305408902	305408903	305408904	305408901	305408902	305408903	305408905				
15	Kit de tapón de drenado	L	305408924											

Notas:

- 1) El ensamble de la etapa de descarga en bombas de "2 etapas" solo contienen difusor y la tornillería necesaria.
 - 2) Las bombas de "2 etapas" y "3 etapas" tienen (1) ensamble de etapa intermedia, las de "4 etapas" tienen (2), las de "5 etapas" tienen (3), y las de "6 etapas" tienen (4).
 - 3) Todas las bombas tienen (1) ensamble de etapa de succión.
- * Los items con mismo identificador se venden/embalan juntos.

NOTAS

GARANTÍA LIMITADA*

ESTA GARANTÍA ESTABLECE LA ÚNICA OBLIGACIÓN DE LA EMPRESA Y LA COMPENSACIÓN EXCLUSIVA AL COMPRADOR POR UN PRODUCTO DEFECTUOSO.

Franklin Electric Company, Inc. y sus filiales (de aquí en adelante, "la Empresa") garantizan que los productos que cubre esta garantía carecen de defectos en cuanto al material o la mano de obra de la Empresa.

La Empresa tiene derecho a inspeccionar todo producto devuelto en garantía para confirmar si tiene defectos en el material o la mano de obra. La Empresa tendrá el derecho exclusivo de elegir si reparará o reemplazará el equipo, las piezas o los componentes defectuosos.

El comprador deberá enviar el producto a un distribuidor autorizado de Franklin Electric para hacer uso de la garantía. Las devoluciones al lugar de compra solo se considerarán para la cobertura de la garantía si el lugar de compra es un Distribuidor de Franklin Electric al momento en el que se haga la reclamación. Con sujeción a los términos y las condiciones que se enumeran a continuación, la Empresa le reparará o reemplazará al comprador cualquier parte de este producto que se compruebe estar defectuoso a causa de los materiales o la mano de obra de la Empresa.

La Empresa considerará que los productos están garantizados durante doce meses a partir de la fecha de su instalación, o durante 24 meses a partir de la fecha de manufactura, lo que ocurra primero.

La Empresa no se responsabilizará EN NINGÚN CASO ni estará obligada a responder por el costo del trabajo de campo u otros cargos en los que incurra un cliente al retirar y/o instalar un producto, una pieza o un componente de este.

La Empresa se reserva el derecho de cambiar o mejorar sus productos, o cualquier parte de ellos, sin tener la obligación de proveer dicho cambio o mejora a los productos que se han vendido con anterioridad.

ESTA GARANTÍA NO SE APLICA A los productos dañados por sucesos de fuerza mayor, incluyendo descargas eléctricas, el desgaste normal del producto, los servicios habituales de mantenimiento y las piezas que se utilicen en relación con dichos servicios, o por cualquier otra condición que escape al control de la Empresa.

ESTA GARANTÍA SE ANULARÁ DE INMEDIATO si se presenta cualquiera de las siguientes condiciones:

1. El producto se utilizó para otros propósitos distintos de aquellos para los que fue diseñado y fabricado;
2. El producto no se instaló de conformidad con los códigos, los reglamentos y las buenas prácticas comerciales vigentes;
3. El producto no fue instalado por un contratista certificado por Franklin; o
4. El producto resultó dañado por negligencia, abuso, accidente, aplicación indebida, modificación, alteración, instalación, operación, mantenimiento o almacenamiento inadecuados o como resultado del abuso de los límites recomendados y establecidos en las instrucciones del producto.

NI EL VENDEDOR NI LA COMPAÑÍA SERÁN RESPONSABLES POR NINGUNA LESIÓN, PÉRDIDA O DAÑO DIRECTO, INCIDENTAL O CONSECUENCIAL (INCLUIDOS, A TÍTULO ENUNCIATIVO, MAS NO LIMITATIVO, LOS DAÑOS INCIDENTALES Y CONSECUENCIALES POR PÉRDIDA DE GANANCIAS, VENTAS NO REALIZADAS, LESIONES A PERSONAS O LA PROPIEDAD, O CUALQUIER OTRA PÉRDIDA INCIDENTAL O CONSECUENCIAL) QUE SURJAN DEL USO O DE LA IMPOSIBILIDAD DEL USO DEL PRODUCTO, Y EL COMPRADOR ACEPTA QUE NO TENDRÁ DISPONIBLE NINGUNA OTRA COMPENSACIÓN.

LA GARANTÍA Y COMPENSACIÓN DESCRITOS EN ESTA GARANTÍA LIMITADA SON EXCLUSIVOS Y REEMPLAZAN A CUALQUIER OTRA GARANTÍA O COMPENSACIÓN, EXPRESAS O IMPLÍCITAS, Y POR EL PRESENTE SE EXCLUYEN OTRAS GARANTÍAS Y COMPENSACIONES INCLUYENDO, A TÍTULO ENUNCIATIVO, MAS NO LIMITATIVO, TODA GARANTÍA IMPLÍCITA DE COMERCIABILIDAD O IDONEIDAD PARA UN PROPÓSITO DETERMINADO, Y EN LA MEDIDA EN QUE ALGUNA DE LAS DOS SEA APLICABLE A UN PRODUCTO, ESTARÁ LIMITADA A LA DURACIÓN DE LOS PERIODOS DE LAS GARANTÍAS EXPRESAS MENCIONADOS ANTERIORMENTE.

DESCARGO DE RESPONSABILIDADES Cualquier declaración oral sobre el producto realizada por el vendedor, la Empresa, los representantes o cualquier otra parte, no constituye garantías. El usuario no debe depender de ellas, y no forman parte de este contrato de venta. La única obligación del vendedor y la Empresa, y la única compensación a disposición del comprador, será el reemplazo y/o la reparación del producto por parte de la Empresa, de la forma descrita anteriormente. Antes de usar el producto, el usuario determinará la idoneidad de este para su uso previsto, y el usuario asumirá todos los riesgos y la responsabilidad que se deriven de esta acción.

Algunos estados y países no permiten la exclusión o la limitación respecto a la duración de una garantía implícita, ni tampoco la exclusión o la limitación respecto a los daños incidentales o consecuenciales, de manera que es posible que la exclusión o las limitaciones mencionadas anteriormente, no sean aplicables en su caso. Esta garantía le concede derechos legales específicos, y también puede tener otros derechos que varían según el estado y el país.

Franklin Electric, a su exclusivo criterio, puede actualizar esta garantía limitada ocasionalmente. Cualquier información conflictiva en relación a los procedimientos de la garantía, ya sea en un manual del usuario o no, queda suplantada por este documento. No obstante, todas las referencias al periodo o longitud del periodo de una garantía, permanecerán consistentes con la garantía vigente al momento de compra.

El usuario puede hacer válida la garantía directamente con el representante donde fue adquirido el producto. Para compras en México, puede contactar al importador Motores Franklin S.A. de C.V. En cualquier caso, deberá presentar el producto acompañado de la factura de compra o la presente póliza de garantía.

Para poder acceder a componentes, consumibles y accesorios, el usuario puede acudir directamente con el representante donde fue adquirido el producto. Para compras en México, puede contactar al importador Motores Franklin S.A. de C.V.

Importador: Motores Franklin S.A. de C.V.
Av. Churubusco 1600 B16
Monterrey, NL
CP 64560 MÉXICO
Tel. 81 8000 1000



Form 106592101
Rev. 1
05.16




Franklin Electric
9255 Coverdale Road, Fort Wayne, IN 46809
Tel: 260.824.2900 Fax: 260.824.2909
www.franklinwater.com





**Pompe Multi-étapes
Horizontale-
MH Series
Manual du propriétaire**


Avant de commencer


Consultez et respectez toutes les directives de sécurité. Consultez les plaques signalétiques du produit pour obtenir des directives d'utilisation et des spécifications supplémentaires.

Ce triangle est le symbole d'alerte de sécurité. Lorsque vous voyez ce  symbole sur votre pompe ou dans ce manuel, recherchez l'un des mots de signal suivants et soyez à l'affût du potentiel de blessures :

 DANGER met en garde sur les dangers qui causeront de graves lésions corporelles, la mort ou des dommages matériels importants s'ils sont ignorés.

 AVERTISSEMENT met en garde sur les dangers qui **peuvent** causer de graves lésions corporelles, la mort ou des dommages matériels importants s'ils sont ignorés.

 PRUDENCE met en garde sur les dangers qui **causeront** ou **peuvent** causer de graves lésions corporelles ou des dommages matériels importants s'ils sont ignorés.

 REMARQUE indique les instructions spéciales, qui sont importantes mais non liées aux dangers. **Lisez et suivez attentivement les instructions de sécurité dans ce manuel et sur la pompe.**



AVERTISSEMENT

RISQUE DE DÉCHARGE ÉLECTRIQUE – Cette pompe est fournie avec un conducteur de mise à la terre et une fiche munie d'une attache de mise à la terre. Pour réduire le risque de décharge électrique, assurez-vous de seulement brancher la pompe à une prise électrique correctement mise à la terre. Débranchez l'alimentation avant de travailler sur ou autour du système. N'utilisez dans les zones de baignade.

Cet équipement doit être installé par une personne qualifiée du point de vue technique. Une installation ne respectant pas les codes de l'électricité nationaux et locaux et les recommandations de Franklin Electric peut entraîner une décharge électrique, un incendie, un rendement insatisfaisant ou une défaillance de l'appareil. De l'information sur l'installation est disponible auprès des fabricants et des distributeurs de pompes, ou directement auprès de Franklin Electric au moyen de notre numéro sans frais, 1-800-348-2420.

Cet équipement ne doit pas être utilisé par des enfants ou des personnes ayant des capacités physiques, sensorielles ou mentales réduites, ou qui manquent d'expérience ou d'expertise, à moins d'être supervisés ou dirigés. Des enfants ne doivent pas utiliser l'équipement ou jouer avec celui-ci ou dans son entourage immédiat.

Si le cordon d'alimentation a subi des dommages, sachez que ce produit ne permet pas le remplacement partiel du cordon et devrait donc être entièrement remplacé.

PRUDENCE

- L'aire de travail doit être propre, bien éclairée et dégagée.
- Gardez les étiquettes de sécurité propres et en bon état.
- Portez des lunettes de protection pendant les travaux d'installation ou de maintenance de la pompe.
- La pompe ne doit pas fonctionner à vide. Remplissez-la d'eau avant le démarrage afin d'éviter de l'endommager.
- Assurez-vous que **TOUTE L'ALIMENTATION ÉLECTRIQUE EST COUPÉE** avant de brancher des fils électriques. Respectez toutes les directives énoncées dans la section « Câblage » du présent manuel relativement au câblage de la pompe.

Table des matières

Avant de commencer	2
Introduction	4
Installation Électrique	7
Réglage De La Bi-Tension.....	8
Fonctionnement	9
Manutención	10
Entretien Et Désassemblage.....	11
Instructions De Désassemblage.....	11
Dépannage	12
Annexe 1 : Tableaux de Résultats HMS	13
Annexe 2 : Tableaux de perte de Friction.....	14
Pièces de La Pompe Multi-Étapes Horizontale	15
Garantie Limitée	17

Pompe Multi-étapes Horizontale-MH Series

Introduction

Le pompe centrifuge multi-phase horizontale est bien adaptée pour le pompage de l'eau dans les marchés immobiliers, agricoles et industriels des marchés. Cette pompe multi-objectifs est conçue pour les systèmes d'arrosage et d'irrigation, les stations de lavage, la vidange/le remplissage d'étangs, etc., et les systèmes de traitement des eaux. L'extrémité humide entièrement en inox de cette pompe fait figurer un matériau résistant à la corrosion, ce qui augmente la longévité de la pompe. Le fonctionnement silencieux de cette pompe la rend très appropriée pour l'usage domestique. Les différents modèles de la pompe centrifuge multi-modes offre une ample gamme de taux de débit et de pression variables. Il existe un modèle ayant la plus haute capacité d'arrêt, un pour la plus grande capacité de débit, et un modèle standard pour un bon mélange de pression et de débit.

Fonctions

Boîtier/Carapace de la pompe	Acier Inoxydable 304
Hydraulique	304: résistant à la corrosion, multi-étapes de 2 à 6 étapes
Scellé mécanique	Carbone/Céramique/Fluoroelstomer (FKM)
Moteur Électrique	Bride carrée, avec protection thermique, double tension, 115V-230V, simple ou trois phases et HP variant entre 1/2 et 2 assurant que le meilleur moteur est disponible pour répondre à un large éventail d'applications.
Arbre	acier inoxydable hexagonal de 7/16 inch

Inspectez Votre Commande

Toutes les pompes sont soigneusement testées, inspectées, et emballées, pour assurez leur arrivée en parfait état. Lorsque vous avez reçu la pompe, examinez-la attentivement pour vous assurer qu'il n'existe aucun dommage ou des parties qui auraient pu être brisées lors de l'expédition. Si les dégâts sont évidents, signalez-le immédiatement à votre transporteur et distributeur. Ce transporteur assume l'entière responsabilité de bonne arrivée de l'expédition. Toute réclamation pour dommages à l'expédition, visibles ou dissimulés, doit être effectuée par le transporteur en premier.

Installation

Emplacement De La Pompe

Décider sur une zone pour l'installation de la pompe qui convienne selon la cote d'enceinte du moteur de la pompe électrique.

Option D'Installation Intérieure De La Pompe

Choisissez un emplacement propre, bien aéré et étanche qui permette une protection contre le gel, les inondations, et la chaleur excessive. En outre, il devrait fournir un accès pour l'entretien et permettre une vidange facile de la pompe, du réservoir et des conduites de service. Une fondation préparée n'est pas indispensable, pourvu que la surface soit dure et plane. Elle peut être placée au sous-sol ou dans la buanderie de votre maison, sur le puits ou entre la maison et le puits. **Lors de l'installation à l'extérieur de la maison, la pompe devrait être protégée par une chambre de pompe avec chauffage d'appoint pour prévenir la possible congélation.**

Pompe Multi-étapes Horizontale-MH Series

Pompage Du Puits

Le piquage d'aspiration sur la pompe est de 1-1/4" (1-1/2" pour 45 gpm) (FNPT) de taille. Le diamètre du tuyau d'aspiration ne devrait jamais être inférieur au piquage d'aspiration.

Une pompe fonctionne de façon optimale lorsqu'elle est installée à proximité du puits parce que la hauteur d'aspiration et les pertes par friction sont maintenues à un minimum. Même si une installation près de la source d'eau est préférée, il peut être nécessaire ou plus pratique de placer la pompe loin du puits, du lac ou du cours d'eau. **POUR UNE INSTALLATION PEU PROFONDE DU PUIITS**, le décalage est limité uniquement par la hauteur d'aspiration et la friction dans le système de plombage.

Planifiez votre disposition de tuyauterie avant de commencer l'installation de sorte que le tuyau et les équipements corrects soient disponibles pour terminer le travail. Gardez les tuyaux propres, car les cailloux et d'autres corps étrangers peuvent bloquer la turbine de la pompe et entraver le fonctionnement. Pour éviter les poches d'air, placez les tuyaux horizontaux en permanence vers le haut à partir de la source d'eau jusqu'à la pompe d'au moins 1 pouce vertical pour toutes les 30" de suite/séquence horizontale.

Tuyauterie D'Aspiration De Décalage Horizontal

Lorsque la pompe est décalée du puits, la tuyauterie d'aspiration du décalage horizontal pourrait être augmentée de diamètre pour réduire la perte par friction. Le perte par friction dans un système augmente:

1. À mesure que le taux du débit augmente
2. À mesure que la taille de la tuyauterie est réduite

Consultez les tableaux de résultats inclus (Annexe I) et les tableaux de pertes de friction (Annexe II) pour déterminer le montant de tête perdu pour une application donnée. Les tuyaux du puits à la pompe devraient être orientés vers le haut (environ 1" d'élévation pour chaque 30" de suite/séquence/série).

Tailles Des Tuyaux D'Évacuation Pour L'Installation

Lorsque la pompe est située à une distance des points d'utilisation d'eau, il est nécessaire d'augmenter la taille du tuyau d'évacuation afin de réduire la perte par friction. Le perte par friction dans un système augmente:

1. À mesure que le taux du débit augmente
2. À mesure que la taille de la tuyauterie est réduite

Consultez les tableaux de résultats inclus (Annexe II) et les tableaux de pertes par friction (Annexe II) pour déterminer le montant de tête perdu pour une application donnée.

Installation De Puits Peu Profonds (Figure 1)

Connectez la pompe au puits comme le montre la Figure 1. Le fonctionnement d'un puits peu profond, adéquat pour les profondeurs ne dépassant pas 10 pieds, requiert un seul tuyau à la source d'eau. Les sources d'eau typiques sont les puits, les lacs, les étangs, les cours d'eau ou les rivières. Soutenez le tuyau d'aspiration, de sorte que son poids ne soit pas porté par la pompe. L'installation devrait inclure un clapet de pied dans le puits ou un clapet de retenue/non-retour à proximité de la pompe. Si la distance du puits à la pompe est supérieure à 40 pieds horizontaux, un clapet de retenue/non-retour (installé près de la pompe) est recommandé en plus du clapet de pied. Le choix d'utiliser un clapet de retenue à la pompe ou un clapet de pied immergé dépend

Pompe Multi-étapes Horizontale-MH Series

des paramètres de l'installation individuelle. Un clapet de pied est requis pour un puits tubé/creusé. Des précautions particulières devraient être prises pour s'assurer que tous les raccords d'aspiration soient étanches et scellés. Sinon, la pompe peut être apprêtée ou se désamorçera sur une période de temps.

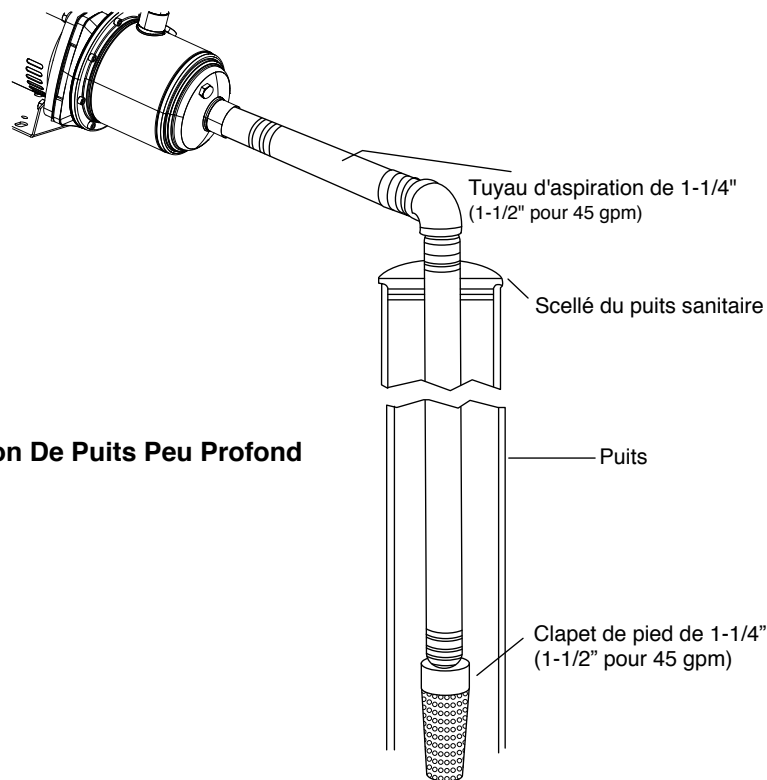


Figure 1 - Installation De Puits Peu Profond

Plomberie De Décharge

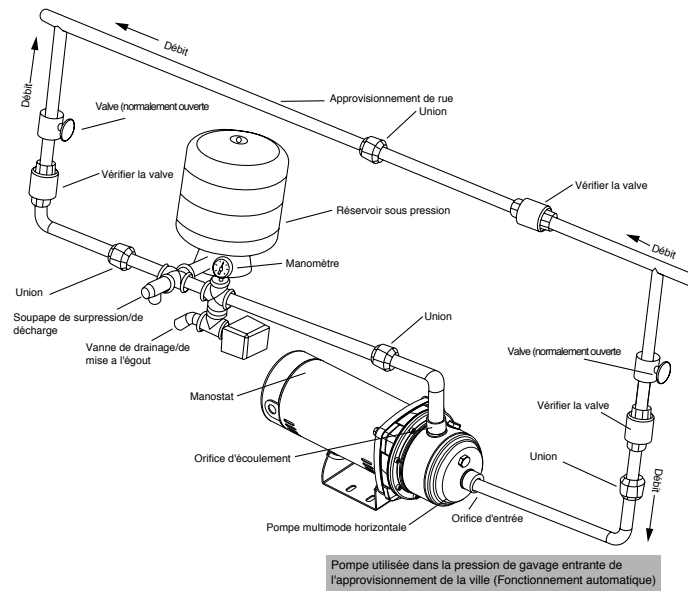
Lorsque vous utilisez cette pompe dans une application de puits peu profond, il est recommandé d'utiliser un commutateur de pression en ligne et un réservoir sous pression de taille appropriée. Cette pompe n'inclut pas de commutateur de pression et ces éléments doivent être achetés séparément. L'ajout d'un robinet-vanne situé sur la ligne de décharge peut épargner la nécessité de vidanger le système lors de l'entretien de la pompe. Les unions et d'autres raccords de tuyaux cassables à proximité de la pompe permettent un accès facile lors de l'entretien. Cette disposition est typique et adéquate pour les applications de pompage de puits peu profonds, mais n'est pas exigée pour un usage approprié.

Installation De Surpresseur D'Aspiration Inondé (Figure 2)

La pompe multi-étapes horizontale peut être utilisée soit sur une application de surpression en ligne ou parallèle. L'installation commune pour stimuler la pression de l'eau municipale est d'utiliser l'installation parallèle (Figure 2). Lors de l'utilisation de la pompe dans une application de surpression, il est important de ne pas dépasser la pression d'exploitation maximale de la pompe de 145 psi. Installer une soupape de surpression sur toute application de surpression où la pression de la pompe peut dépasser la pression maximale de service de la tuyauterie, du réservoir, ou du système.

Pompe Multi-étapes Horizontale-MH Series

FIGURE 2 - Installation De Pompe Utilisant Une Source Municipale



Registres D'Installation

Pour garder un registre précis de votre installation, assurez-vous de remplir les données ci-dessous:

Date d'installation: _____

No de Modèle: _____

Profondeur de l'eau (pieds): _____

Taille du tuyau d'aspiration: _____

Pression de réglage du commutateur

ON(PSI): _____ OFF(PSI): _____

Longueur du tuyau d'aspiration (pieds): _____

Longueur du tuyau de décharge (pieds): _____

Tension du moteur: _____

Taille du tuyau de décharge: _____

Pression entrante (PSI): _____

Installation Électrique



AVERTISSEMENT

Une tension dangereuse peut choquer, brûler ou provoquer la mort.

ATTENTION

Si vous n'êtes pas sûr des connexions électriques appropriées, consultez un électricien agréé.

ATTENTION

Un câblage incorrect peut causer des dommages permanents au moteur. Tout câblage électrique devrait respecter le code électrique local.

Pompe Multi-étapes Horizontale-MH Series

⚠ AVERTISSEMENT

LISEZ ET SUIVEZ TOUTES LES INSTRUCTIONS

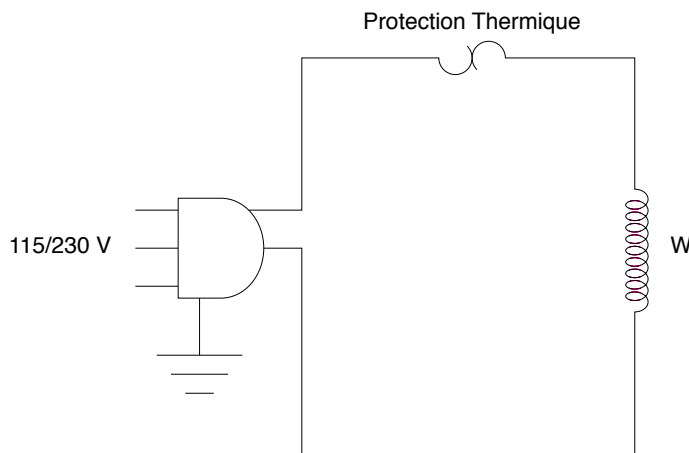
La connexion de la pompe doit être conforme au Code Électrique National (NEC) ou au Code Électrique Canadien (CEC), et à tous les codes locaux applicables. Toutes les unités à double tension, réglées en usine sont de 230 volts. (Figure 3)

Débranchez l'alimentation électrique au panneau électrique avant d'effectuer tout branchement électrique.

La tension d'alimentation doit être à + / - 10% de la tension nominale du moteur. Une tension trop élevée ou réduite peut endommager le moteur et annulera la garantie.

Si possible, connectez la pompe à un circuit de dérivation dédié qui n'ait aucun appareil branché.

Mettez le moteur à la terre avant de brancher l'alimentation électrique.

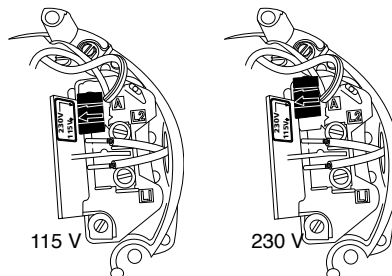


MH		
HP	W 1 ϕ	W 3 ϕ
1/2	860	990
3/4	1140	1200
1	1360	1660
1.5	1740	2160
2	2200	2600

Réglage De La Bi-Tension

⚠ AVERTISSEMENT Pour modifier le voltage du moteur (Figure 3), débranchez le connecteur de bi-tension sur le moteur et reconnectez-le dans la position requise en fonction du système électrique disponible. Le motor peut être fixé à 115 volts ou 230 volts. Le réglage de tension du moteur peut être déterminé en examinant l'alignement de la flèche sur la prise et la flèche sur la planche à bornes du moteur (située sous le couvercle d'extrémité du moteur). Toute question à savoir quel réglage de tension est nécessaire pour le bon fonctionnement du moteur et de la pompe de votre système doit être adressée à un professionnel électrique. Le pré-réglage d'usine est de 230 volts.

Figure 3



Pompe Multi-étapes Horizontale-MH Series

⚠ AVERTISSEMENT

Vérifiez le couvercle d'extrémité ou la plaque signalétique du moteur pour les instructions de câblage. Les données factuelles essentielles du moteur de la pompe sont les suivantes:

1. 3450 RPM
2. Monophasé
3. Double Voltage, 115/230
4. 1/2, 3/4, 1, 1-1/2, et 2 La moteurs à cheval-puissance (horsepower) sont câblés pour 230 volts comme norme d'usine.

Notez que tout câblage est sujet à l'inspection locale et doit être conforme au code électrique local. Installez un disjoncteur ou un fusible interrupteur près de la pompe. Connectez les câbles de puissance d'entrée aux bornes de LIGNE et le fil vert ou nu à la vis de terre, puis fixez au sol toute l'unité.

Fonctionnement

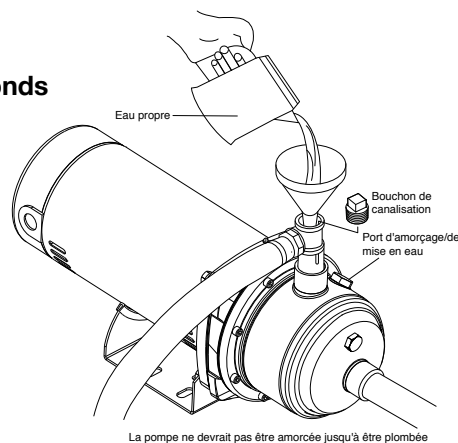
Amorçage (Figure 4)

Le moteur ne devrait pas être démarré avant que la pompe soit amorcée. **Pour amorcer la pompe, remplissez complètement le carter de la pompe et le tuyau d'aspiration avec de l'eau.** Installez les raccords de décharge et d'aspiration en toute sécurité pour vous assurer qu'il n'y ait aucune fuite. Utilisez un Port d'amorçage.

Fermez tous les points de restitution du système, puis fissurez légèrement une sortie du système pour permettre à l'excès d'air de saigner du système de plomberie. Démarrez la pompe. L'eau commencer à pomper en quelques minutes; le temps dépend de la distance à la source d'eau. Si après quelques minutes de fonctionnement vous n'obtenez pas d'eau, répétez le processus d'amorçage car tout l'air n'a pas été évacué de la pompe. Une fois que la pompe fonctionne, ouvrez lentement les points de restitution et laissez fonctionner la pompe jusqu'à ce que l'eau devienne claire. Aucun amorçage supplémentaires ne devrait être nécessaire, à moins que: la pompe soit drainée pour la réparation ou le stockage, il y ait une fuite dans la plomberie de la conduite d'aspiration, ou il y ait une panne du pied du système ou des clapets anti-retour.

Note: Les unités trois phases sont conçus pour fonctionner dans le sens contraire des aiguilles d'une montre vue du côté de la partie pompe de l'unité. Une performance réduite ou des dommages peuvent survenir lors d'une rotation inappropriée.

Figure 4 - Amorçage De Puits Peu Profonds Avec L'Amorçage T



Pompe Multi-étapes Horizontale-MH Series

MOTEUR

⚠ AVERTISSEMENT

Assurez-vous que le moteur fonctionne dans un environnement propre et sec.

Manutención

Lubrification

La pompe requiert seulement de l'eau pour la lubrification et ne doit jamais fonctionner à sec.

⚠ ATTENTION

Faire fonctionner la pompe à sec peut causer des dommages sur la pompe et les composants du système.

Vidange



⚠ AVERTISSEMENT

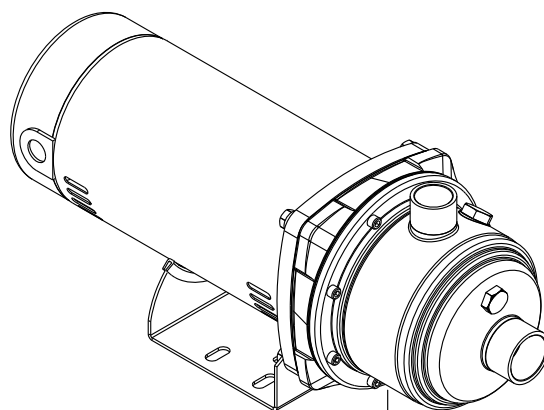
Avant de déconnecter la pompe, assurez-vous que les fils de la boîte à fusibles sont déconnectés ou que la puissance est éteinte. Après avoir rassemblé la pompe, référez-vous aux instructions d'amorçage avant de la mettre en fonctionnement.

Si votre pompe doit être vidangée pour réparation ou pour prévenir les dommages causés par gel, retirez le bouchon de vidange du carter de la pompe.

⚠ AVERTISSEMENT

Bien que cela vidangera la pompe, il ne sera pas nécessaire de vidanger toutes les autres parties du système de tuyauterie. Si vous avez des doutes concernant la procédure adéquate ou la nécessité de vidanger la tuyauterie d'aspiration, contactez votre entrepreneur.

Toute la tuyauterie et les réservoirs d'eau exposés à des températures de gel devraient être vidangés. Si vous avez des doutes concernant la procédure adéquate pour vidanger le réservoir de pression du système, contactez le fabricant du réservoir pour obtenir de l'assistance.



Bouchon de vidange

Pompe Multi-étapes Horizontale-MH Series

Entretien Et Désassemblage

AVERTISSEMENT

Avant de déconnecter la pompe, assurez-vous que les fils de la boîte à fusibles soient déconnectés ou que la puissance de la boîte du disjoncteur soit éteinte. Après avoir rassemblé la pompe, référez-vous aux instructions d'amorçage avant de la mettre en fonctionnement.

Instructions De Désassemblage

Si vous rencontrez des problèmes avec votre pompe, déterminez les causes possibles dans la liste de contrôle de révision. (DÉPANNAGE) Suivez les étapes ci-dessous pour désassembler la pompe. Rassemblez en sens inverse. Nettoyez les joints et les surfaces d'étanchéité dans le boîtier de la pompe. Légèrement lubrifier la partie en caoutchouc des joints avec de la graisse de silicone pour aider l'assemblage. NE PAS lubrifier les surfaces en carbone ou en céramique sur le scellé de l'arbre.

1. Disposez la pompe en position verticale sur l'extrémité et appuyez-la sur le moteur.
2. Enlevez les 8 vis à têtes creuses qui retiennent la partie humide sur la bride.
3. Retirez le boîtier de la pompe de la bride et enlevez le dernier couvercle et mettez-le de côté.
4. Enlevez le joint torique.
5. Tout en sécurisant l'arbre moteur pour qu'il ne tourne pas, dévissez l'arbre de la pompe de l'arbre du moteur.
6. Retirez l'assemblage hydraulique du moteur et de la bride.
7. Enlevez le joint de l'arbre mécanique. (Si vous avez besoin d'enlever la partie stationnaire du joint de l'arbre, complétez d'abord l'étape 8, puis poussez la pièce dehors à partir de la face arrière de la plaque d'étanchéité. La plaque d'étanchéité peut être enlevée sans les brides de raccord.
8. Enlevez les 4 boulons qui retiennent le moteur sur la bride et retirez la bride du moteur.

Pompe Multi-étapes Horizontale-MH Series

Dépannage

Problème	Cause possible	Solution
La pompe ne fournit pas d'eau ou de pression.	1. La pompe est entièrement amorcée.	1. Arrêtez la pompe, remplissez-la avec de l'eau, vérifiez toutes les connexions du tuyau pour vous assurer qu'il n'y ait pas de fuites d'air et essayez à nouveau.
Basse pression	1. Le moteur n'est pas à la vitesse. 2. La roue est partiellement obturée. 3. Il y a une fuite d'air dans la ligne d'aspiration.	1. Vérifiez que la tension soit correcte et que les connexions des câblages soient bien serrées. 2. Vérifiez la roue pour des cailloux ou des débris. Référez-vous aux instructions de désassemblage pour accéder à la roue. 3. Vérifiez les connexions de la ligne d'aspiration.
Basse capacité	1. Votre niveau d'eau est plus profond que 10 pieds. 2. Vous utilisez un tuyau trop long de l'eau à la pompe. 3. Vous avez une roue obturée. 4. Le tuyau qui relie la pompe à l'eau est partiellement obturé.	1. La pompe ne peut pas pomper en-dessous de 10 pieds. Appelez votre distributeur Franklin Electric. 2. Utilisez un tuyau de diamètre supérieur. 3. Vérifiez la roue. Référez-vous aux instructions de désassemblage ci-dessus. 4. Vérifiez le tuyau.
Le moteur est surchauffé	1. Tension ou connexions de câblage incorrectes. 2. Ventilation incorrecte du moteur.	1. Vérifiez pour voir si votre tension est la même que celle indiquée sur la plaque signalétique ou la plaquette du moteur. Assurez-vous que toutes les connexions de câblage sont bien serrées. 2. Vérifiez que le moteur soit propre et correctement ventilé.
Perte de pression lorsque l'eau n'est pas utilisée.	1. Fuites dans la tuyauterie ou les vannes/soupapes. 2. Le niveau d'eau descend en-dessous de l'extrémité du tuyau.	1. Vérifiez les connexions. 2. La pompe contre-produit le puits. Fermez la vanne de régulation progressivement, jusqu'à ce que la pompe commence à fonctionner correctement.
Le moteur ne démarre pas	1. Ouvrez les interrupteurs, les fusibles soufflés ou les connexions desserrées. 2. Connexions incorrectes au moteur.	1. Vérifier los interruptores, fusibles y conexiones. 2. Assurez-vous que les connexions soient bien serrées.
Bouchon d'air (excès d'air dans le tuyau)	1. Fuites d'air dans le tuyau. 2. L'eau descend en-dessous de l'extrémité du tuyau.	1. Vérifiez les connexions. 2. La pompe contre-produit le puits. Resserrez la vanne de régulation progressivement, jusqu'à ce que la pompe commence à opérer correctement.
Bruits graveleux à l'intérieur de la pompe (cavitation)	1. Le niveau de l'eau est inférieur à 10 pieds. 2. Le tuyau d'aspiration est trop petit ou trop long. 3. L'extrémité du tuyau d'aspiration est enfoncée dans la boue ou le sable.	1. Appelez votre distributeur Franklin Electric. 2. Utilisez un tuyau de diamètre supérieur. 3. Soulevez l'extrémité du tuyau d'aspiration ou nettoyez le puits.

Pompe Multi-étapes Horizontale-MH Series

Annexe I - Tableaux de Résultats HMS

Tableau de Résultats 15 GPM

HP	Capacités - GPM																							Fermer la tête (PSI)
	Total tête - Pieds																							
	50	60	70	80	90	100	110	120	130	140	150	160	170	180	190	200	210	220	230	240	250	260	270	
1/2	21	18	15	12	8	1																		44
3/4	25	23	21	19	18	16	14	12	9	6	1													66
1		26	25	24	23	21	20	18	17	15	14	12	10	8	5	1								88
1.5			27	26	25	25	24	23	22	21	20	19	18	16	15	14	12	10	9	6	4			111
2					27	26	25	25	24	23	22	21	21	20	19	18	17	16	15	14	12	11	10	135

30 Tableaux de Résultats GPM

HP	Capacités - GPM																				Fermer la tête (PSI)		
	Total tête - Pieds																						
	50	60	70	80	90	100	110	120	130	140	150	160	170	180	190	200	210	220	230	240			
3/4	37	33	30	25	19	10																	47
1	43	41	40	37	35	32	29	26	22	17	11												69
1.5	44	43	42	41	39	38	36	35	33	31	28	26	23	19	15	10	3						93
2		44	44	43	42	41	40	39	38	37	35	34	32	30	28	26	24	21	18	15			116

45 Tableaux de Résultats GPM

HP	Capacités - GPM										Fermer la tête (PSI)	
	Total tête - Pieds											
	60	70	80	90	100	110	120	130	140	150		160
1.5	64	59	52	43	26							47
2				62	58	54	48	42	33	22	9	71

Pompe Multi-étapes Horizontale-MH Series

Annexe II - Tableaux de Perte de Friction

Note: Le graphique montre la perte par friction pour chaque 100' du tuyau. Pour convertir la perte de friction par pied, déplacez le point décimal de deux espaces vers la gauche.

1"

Tuyau Schedule 40 1.049 in. i.d. Tube en cuivre / Type L 1.025 in. i.d.					
GPM	Vitesse Ft/S	Pertes par frottement Ft Hd./100' du tuyau		Vitesse Ft/S	Ft Hd./Tuyau 100' Perte par frottements C=130
		Acier C=100	PVC C=140		
2.0	0.74	0.60	0.32	.078	0.41
3.0	1.11	1.26	0.68	1.17	0.87
4.0	1.49	2.14	1.15	1.56	1.48
5.0	1.86	3.24	1.75	1.95	2.23
6.0	2.23	4.54	2.45	2.34	3.13
8.0	2.97	7.73	4.16	3.11	5.35
10	3.71	11.7	6.31	3.89	8.08
12	4.46	16.4	8.85	4.67	11.3
14	5.20	21.8	11.8	5.45	15.0
16	5.94	27.9	15.1	6.22	19.2
18	6.68	34.7	18.7	7.00	23.9
20	7.43	42.1	22.8	7.78	29.0
25	9.29	63.6	34.6	9.74	43.9
30	11.1	89.2	48.1	11.7	61.4
40	14.9	152	82.0	15.5	105

1-1/4"

Tuyau Schedule 40 1.380 in. i.d. Tube en cuivre / Type L 1.265 in. i.d.					
GPM	Vitesse Ft/S	Pertes par frottement Ft Hd./100' du tuyau		Vitesse Ft/S	Ft Hd./Tuyau 100' Perte par frottements C=130
		Acier C=100	PVC C=140		
4.0	0.86	0.56	0.30	1.02	0.52
6.0	1.29	1.20	0.65	1.53	1.12
8.0	1.72	2.04	1.10	2.04	1.92
10	2.15	3.08	1.67	2.55	2.90
12	2.57	4.31	2.33	3.06	4.04
14	2.97	5.73	3.10	3.57	5.35
16	3.43	7.34	3.96	4.08	6.85
18	3.86	9.13	4.93	4.59	8.52
20	4.29	11.1	6.00	5.10	10.4
25	5.36	16.8	9.06	6.38	15.7
30	6.43	23.5	12.7	7.65	22.1
40	8.58	40.0	21.6	10.2	37.6
50	10.7	60.4	32.6	12.8	56.7
60	12.9	84.7	45.6	15.3	79.5
80	17.2	144	77.9	20.4	136

1-1/2"

Tuyau Schedule 40 1.610 in. i.d. Tube en cuivre / Type L 1.505 in. i.d.					
GPM	Vitesse Ft/S	Pertes par frottement Ft Hd./100' du tuyau		Vitesse Ft/S	Ft Hd./Tuyau 100' Perte par frottements C=130
		Acier C=100	PVC C=140		
6.0	0.95	0.57	0.31	1.08	0.49
8.0	1.26	0.96	0.52	1.44	0.82
10	1.58	1.45	0.79	1.80	1.24
12	1.89	2.04	1.10	2.16	1.73
15	2.36	2.95	1.59	2.70	2.62
20	3.15	5.24	2.83	3.60	4.46
25	3.94	7.90	4.26	4.51	6.74
30	4.73	11.1	6.00	5.41	9.44
40	6.30	18.9	10.2	7.21	16.1
50	7.88	28.5	15.4	9.01	24.3
60	9.46	40.0	21.6	10.8	34.1
70	11.0	53.2	28.7	12.6	45.5
80	12.6	68.1	36.8	14.4	58.1
90	14.2	84.7	45.7	16.2	72.1
100	15.8	103	56.6	18.0	87.7

2"

Tuyau Schedule 40 2.067 in. i.d. Tube en cuivre / Type L 1.985 in. i.d.					
GPM	Vitesse Ft/S	Pertes par frottement Ft Hd./100' du tuyau		Vitesse Ft/S	Ft Hd./Tuyau 100' Perte par frottements C=130
		Acier C=100	PVC C=140		
10	0.96	0.43	0.23	1.07	0.35
15	1.44	0.92	0.50	1.60	.075
20	1.91	1.55	0.84	2.13	1.24
25	2.39	2.35	1.27	2.66	1.87
30	2.87	3.29	1.78	3.19	2.62
40	3.82	5.60	3.03	4.26	4.48
50	4.78	8.46	4.57	5.32	6.76
60	5.74	11.9	6.44	6.39	9.47
70	6.69	15.8	8.53	7.45	12.6
80	7.65	20.2	10.9	8.52	16.2
90	8.61	25.1	13.6	9.58	20.0
100	9.56	30.5	16.5	10.7	24.4
120	11.5	42.7	23.1	12.8	34.1
150	14.3	64.7	35.0	16.0	51.6
200	19.1	110	59.4	21.3	87.8

REMARQUES:

GARANTIE LIMITÉE*

CETTE GARANTIE ÉNONCE LES SEULES OBLIGATIONS DE L'ENTREPRISE ET LES RECOURS EXCLUSIFS DE L'ACHETEUR EN CAS DE PRODUIT DÉFECTUEUX.

Franklin Electric Company, Inc. et ses filiales (ci-après « l'Entreprise ») garantit que les produits accompagnés de cette garantie sont exempts de défauts quant aux matériaux ou à la main-d'œuvre par l'Entreprise.

L'Entreprise a le droit d'inspecter tout produit retourné sous garantie pour confirmer qu'il présente un défaut de matériau ou de main-d'œuvre. Elle a le droit exclusif de choisir de réparer ou de remplacer le matériel, les pièces ou les composants défectueux.

L'acheteur doit retourner le produit à un point de distribution Franklin Electric autorisé pour examen. Si le retour est effectué au point d'achat, la couverture de la garantie ne sera prise en considération que si le lieu de vente en question est un distributeur Franklin Electric autorisé au moment de la réclamation. Sous réserve des conditions générales énoncées ci-dessous, l'Entreprise s'engage à réparer ou à remplacer toute partie du produit retourné par l'acheteur qui s'avère défectueuse en raison des matériaux ou de la main-d'œuvre provenant de l'Entreprise.

L'Entreprise n'envisagera l'application de la garantie que dans les 12 mois suivant la date d'installation du produit ou dans les 24 mois suivant sa fabrication, selon la première éventualité.

L'Entreprise ne pourra EN AUCUN CAS être tenue responsable du coût de la main-d'œuvre ou d'autres frais engagés par un client pour retirer ou fixer un produit, ou quelconque pièce ou composant qui le constitue.

L'Entreprise se réserve le droit de modifier ou d'améliorer ses produits ou toute partie de ceux-ci sans être obligée de fournir une telle modification ou amélioration aux produits déjà vendus.

LA PRÉSENTE GARANTIE NE S'APPLIQUE PAS AUX produits endommagés par un acte de la nature, y compris la foudre, l'usure normale, les services de maintenance normale et les pièces utilisées avec de tels services, ou toute autre condition au-delà du contrôle de l'Entreprise.

LA PRÉSENTE GARANTIE SERA IMMÉDIATEMENT ANNULÉE si l'une des conditions suivantes est constatée :

1. Le produit est utilisé à des fins autres que celles pour lesquelles il a été conçu et fabriqué;
2. Le produit n'a pas été installé conformément aux codes et aux règlements applicables et aux bonnes pratiques commerciales;
3. Le produit n'a pas été installé par un entrepreneur certifié par Franklin;
4. Le produit a été endommagé à la suite d'une négligence, d'un abus, d'un accident, d'une mauvaise application, de vandalisme, d'une altération, d'une installation, d'un fonctionnement, d'une maintenance ou d'un entreposage inappropriés ou d'un dépassement des maximums recommandés dans les instructions du produit.

NI LE VENDEUR, NI L'ENTREPRISE NE POURRONT ÊTRE TENUS RESPONSABLES DES BLESSURES, DES PERTES OU DES DOMMAGES DIRECTS, ACCESSOIRES OU INDIRECTS (Y COMPRIS, SANS S'Y LIMITER, LES DOMMAGES INDIRECTS RELATIFS À UN MANQUE À GAGNER, À UNE PERTE DE VENTES, À DES BLESSURES CORPORELLES, À DES DOMMAGES MATÉRIELS OU À TOUTE AUTRE PERTE ACCESSOIRE OU INDIRECTE) DÉCOULANT DE L'UTILISATION DU PRODUIT OU DE L'INCAPACITÉ DE L'EMPLOYER, ET L'ACHETEUR CONVIENT QU'AUCUN AUTRE RECOURS NE SERA POSSIBLE.

LA GARANTIE ET LE RECOURS DÉCRITS AUX PRÉSENTES SONT EXCLUSIFS ET ONT PRÉSÉANCE SUR TOUTE AUTRE GARANTIE OU TOUT AUTRE RECOURS EXPLICITE OU IMPLICITE. LES AUTRES GARANTIES ET RECOURS SONT AINSI EXPRESSÉMENT EXCLUS, Y COMPRIS, MAIS SANS S'Y LIMITER, TOUTE GARANTIE IMPLICITE DE QUALITÉ MARCHANDE OU DE CONFORMITÉ À UN USAGE PARTICULIER. LA DURÉE DE LA GARANTIE OU DU RECOURS APPLICABLE À UN PRODUIT SE LIMITE AUX PÉRIODES DE GARANTIE EXPLICITEMENT INDIQUÉES CI-DESSUS.

NON-RESPONSABILITÉ : Toute affirmation verbale à propos du produit effectuée par le vendeur, l'Entreprise, les représentants ou d'autres parties ne constitue pas une garantie, ne doit pas être interprétée comme telle par l'acheteur et ne fait pas partie du contrat de vente. Les seules obligations du vendeur et de l'Entreprise et les seuls recours de l'acheteur seront le remplacement ou la réparation par l'Entreprise du produit, comme décrit ci-dessus. Avant l'utilisation, l'utilisateur devra déterminer l'adéquation du produit avec l'usage auquel il est destiné; et l'utilisateur assume toutes les responsabilités et tous les risques liés à ce choix.

Certains États et pays n'autorisent pas l'exclusion ou la limitation de la durée d'une garantie implicite ou l'exclusion ou la limitation de dommages accessoires ou indirects, de sorte que l'exclusion ou les limitations énoncées ci-dessus peuvent ne pas s'appliquer à vous. Cette garantie vous accorde des droits juridiques précis, et vous pouvez également disposer d'autres droits, lesquels varient selon l'État et le pays.

Franklin Electric peut, à sa seule discrétion, mettre à jour la présente garantie limitée de temps à autre. Toute information contradictoire concernant les procédures de garantie, que ce soit dans un manuel d'utilisation ou ailleurs, est remplacée par la présente par ce document. Néanmoins, toutes les références à une période, ou à la durée d'une période de garantie, demeureront conformes à la garantie en vigueur au moment de l'achat.

* Communiquez avec la division de l'exportation de Franklin Electric Co., Inc. pour connaître la garantie internationale.



Form 106592101
Rev. 1
05.16



Franklin Electric
9255, Coverdale Road, Fort Wayne, IN 46809
Tel: 260-824-2900 Fax: 260-824-2909
www.franklinwater.com