

**FEATURES**

**Convertible:** May be used on shallow or deep well applications using appropriate Goulds Pumps fittings.

**Serviceable:**

- Back pullout design allows disassembly of pump for service without disturbing piping.
- Corrosion resistant, engineered plastic tubing and fittings are easily removed for cleaning. Premium O-ring design, fittings need only be hand tight to seal.

**Impeller:** F.D.A. compliant, glass filled Noryl®. Corrosion and abrasion resistant.

**Diffuser (Guidevane):** F.D.A. compliant, injection molded, food grade, glass filled Lexan® for durability and abrasion resistance.

**Powered for Continuous Operation:** Pump ratings are within the motor manufacturer's recommended working limits. Can be operated continuously without damage.

**Corrosion Resistant:** Electro-coat paint is baked on.


**Excellent Air Handling Ability:** After initial priming the pump has the ability to re-prime itself even when air enters the system. Pumping resumes once the water level rises above the foot valve.

**Basic Pump Unit:** Includes pump and motor, pressure switch with tubing and fittings.

Water system tank required on all systems.



**AGENCY LISTINGS**

 **Canadian Standards Association**  
File #LR38549

**JRD** JRD5, JRD7 AND JRD10

CONVERTIBLE JET PUMPS 1/2, 3/4 AND 1 HP - 60 HZ

### APPLICATIONS

Specifically designed for:

- Homes
- Farms
- Cottages
- Booster service

### SPECIFICATIONS

#### Pump:

- Pipe connections:
  - 1" NPT discharge
  - 1¼" NPT suction
  - 1" NPT pressure
- Pressure switch: AS4 preset at 30-50 PSI

#### Motor:

- Standard NEMA service factors
- 60 Hz
- ½ - 1 HP 115/230 V capacitor start
- Single phase
- 3500 RPM
- Built-in overload with automatic reset
- Stainless steel shaft
- Rotation: clockwise when viewed from motor end

**Maximum temperature:** 140°F

### ADDITIONAL COMPONENTS REQUIRED

- **Deep Well Package:** Choose either a twin pipe or packer style.
  - Twin pipe includes jet body, nozzle, venturi and foot valve.
  - Packer includes packer body, nozzle, venturi and built-in check valve.
- NOTE:** Packer systems also require an AWJ2 packer adapter on the wellhead.
- Deep well systems require a pressure control valve.

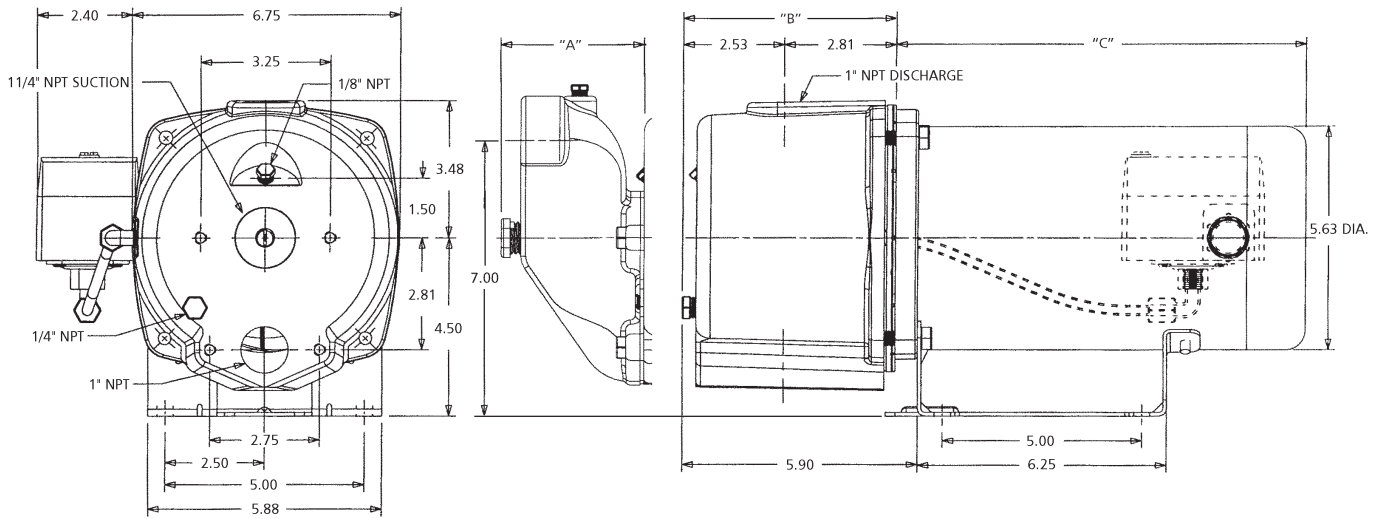
**NOTE:** You must have JDW or AV22KIT to make the pressure switch connection.

### PERFORMANCE RATINGS - SHALLOW WELL

Require pump and shallow well package shown below.

HP/Order No.	½ HP - JRD5					¾ HP - JRD7				1 HP - JRD10				
Shallow Well Package (includes the components below)	FH5JRD					FH7				FH10				
Adapter	4K62					4K62				4K62				
Nozzle	AN018					AN018				AN018				
Venturi	AD3731					AD3536				AD3538				
Total Suction Lift (feet)	Discharge Pressure - PSI					Discharge Pressure - PSI				Discharge Pressure - PSI				
	20	30	40	50	Max. Shut-off (PSI)	30	40	50	Max. Shut-off (PSI)	30	40	50	60	Max. Shut-off (PSI)
	Gallons per minute					Gallons per minute				Gallons per minute				
5	12.3	12.0	9.0	4.0	63	19.0	16.5	10.5	69	22.0	21.0	15.0	8.0	72
10	11.0	10.8	7.6	3.0	62	16.0	14.5	9.0	67	18.5	18.0	12.5	6.5	70
15	9.2	9.0	6.5	2.5	60	13.5	13.0	7.0	65	16.0	15.5	11.0	5.0	68
20	7.6	7.5	5.5	1.5	57	12.0	11.5	5.5	63	13.3	13.0	9.0	3.0	65
25	5.7	5.5	4.0	0.6	55	9.0	8.7	4.0	60	9.6	9.0	7.0	1.5	63

## Residential Water Systems



### DIMENSIONS AND WEIGHTS - PUMP, MOTOR AND SHALLOW WELL ADAPTER

Order No.	HP	(Inches)			Height (Inches)		Wt. (lbs.)	
		Opt. SW Adapter "A"	"B"	"C" Max.	Width	Shallow Well		Deep Well
JRD5	1/2	3.31	5.34	10.81	9.15	8.41	8.0	37
JRD7	3/4			11.56				42
JRD10	1			11.81				47

Do not use for construction purposes.

### TWIN PIPE PERFORMANCE RATINGS

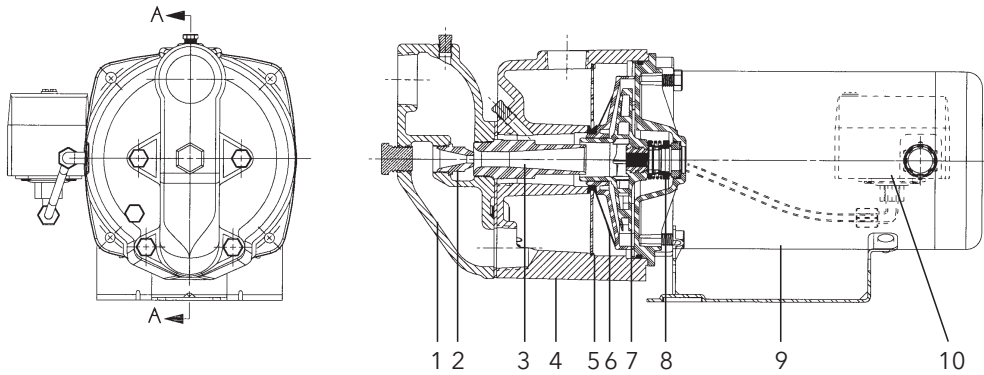
HP/Order No.	1/2 HP - JRD5				3/4 HP - JRD7				1 HP - JRD10							
<b>Well Casing Min. I.D. (in.)</b>	3	4	4 1/2		4	4 1/2			4	4 1/2						
<b>Pressure Suction Pipe Size (in.)</b>	3/4	1	1 1/4		1	1 1/4			1	1 1/4						
	1	1 1/4	1 1/2		1 1/4	1 1/2			1 1/4	1 1/2						
<b>Jet Assembly Package</b>	FT3-09	FT4-13	FT4-31	FT4-08	FT5-14	FT4-14	FT4-34	FT4-18	FT5-47	FT5-48	FT4-44	FT4-43	FT4-18	FT5-49	FT5-11	
<b>Jet Body (Only)</b>	AT3	AT4		AT5	AT4		AT5	AT4		AT5	AT4		AT5			
<b>Nozzle</b>	AN015	AN017	AN016	AN015	AN018	AN017	AN016	AN018	AN017		AN016	AN019	AN018			
<b>Venturi</b>	AD722	AD726	AD723	AD720	AD724	AD729	AD725	AD722	AD730	AD725	AD730	AD727	AD722	AD732	AD727	
<b>Control Valve Setting (PSI)</b>	30								31	33	35	30	32			
<b>Feet</b>	<b>Gallons Per Minute (GPM) 30-50 PSI Pressure Switch Setting</b>															
<b>Depth to Jet Assembly (Based on Submergence of 5 Feet)</b>	30	6.4	11.7	10.0			13.3			14.3			14.5		16.3	
	40	5.7	10.7	8.0			13.2			14.2			14.3		16.3	
	50	4.3	9.3	6.8			11.3			13.0			12.3		15.3	
	60			6.2	4.7		8.8	8.0		11.5		9.8	9.5		13.0	
	70			5.0	4.2	5.0		7.0		9.8	8.3		8.0		10.8	
	80				3.3	4.3		5.7			7.3		6.3	5.3	8.7	8.8
	90				2.8	3.7		4.2	4.5		6.3			5.2		7.5
	100								3.7		5.3			4.7		6.2
	110								3.0		4.3			3.8		4.8
	120															3.8

© Jet Assembly Package includes: Jet Body, Venturi, Nozzle, Foot Valve.  
 Important: An offset of 50 feet will result in a decrease of about 25% from ratings as shown.

## PACKER SYSTEM PERFORMANCE RATINGS

HP/Order No.	½ HP - JRD5			¾ HP - JRD7		1 HP - JRD10		
<b>Well Casing</b>	2							
<b>Suction Pipe Size (in.)</b>	1¼							
<b>① Jet Assembly Package</b>	FP2-13	FP2-31	FP2-08	FP2-40	FP2-47	FP2-48	FP2-43	
<b>Jet Body (Only)</b>	AP2			AP2		AP2		
<b>Nozzle</b>	AN017	AN016	AN015	AN015		AN016		
<b>Venturi</b>	AD726	AD723	AD720	AD727	AD723	AD729	AD725	
<b>Control Valve Setting (PSI)</b>	30			30	32	35	36	
<b>Feet</b>	<b>Gallons Per Minute (GPM) 30-50 PSI Pressure Switch Setting</b>							
<b>Depth to Jet Assembly (Based on Submergence of 5 Feet)</b>	30	10.7	8.5		11.8		14.2	
	40	9.5	7.3		11.5		12.5	
	50	8.3	6.7		9.8		11.5	
	60		5.8	4.3	7.7	6.7	9.3	7.8
	70			3.8		6.0		7.7
	80			3.2		4.3		6.3
	90					3.7		4.8
	100							3.7
	110							
	120							

① Jet Assembly Package includes: Jet Body, Venturi, Nozzle, Built-in Check Valve, Leather Crimps, Spacer and Fitting.  
Important: An offset of 50 feet will result in a decrease of about 25% from ratings as shown.



### COMPONENTS

Item No.	Description
1	Shallow well adapter
2	Nozzle
3	Venturi
4	Cast iron casing
5	Separator plate
6	Diffuser (Guidevane)
7	Impeller
8	Mechanical seal
9	Motor
10	Pressure switch



Xylem, Inc.  
2881 East Bayard Street Ext., Suite A  
Seneca Falls, NY 13148  
Phone: (866) 325-4210  
Fax: (888) 322-5877  
[www.xylem.com/brands/gouldswatertechnology](http://www.xylem.com/brands/gouldswatertechnology)

Goulds is a registered trademark of Goulds Pumps, Inc. and is used under license.  
Noryl and Lexan are trademarks of GE Plastic.  
© 2012 Xylem Inc. BJRD March 2012