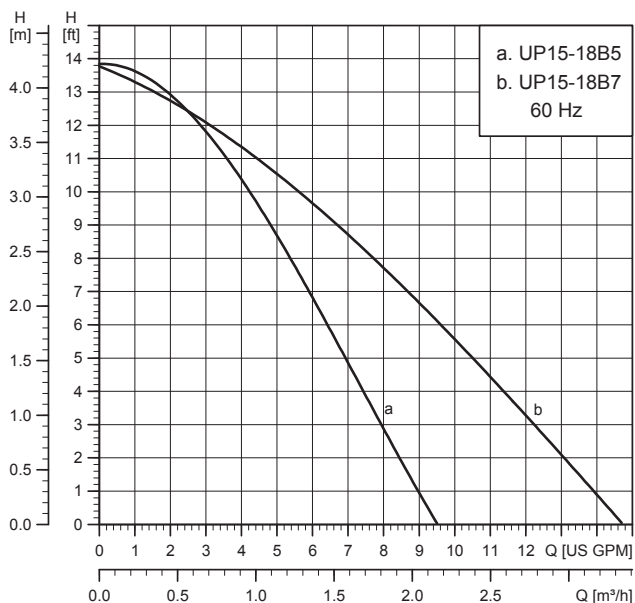


## UP 15-18 B5/B7



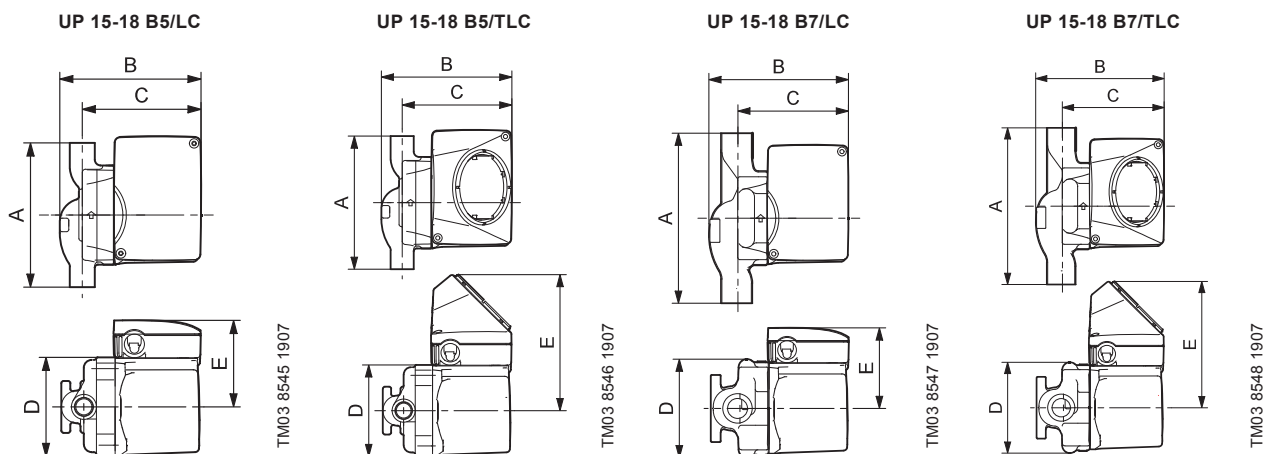
TM03 8426 4412

Flow range:	0-14.7 gpm (0-3.3 m <sup>3</sup> /h)
Head range:	0-13.9 ft (0-4.2 m)
Motors:	2-pole, single-phase
Max. liquid temperature:	230 °F (110 °C)
Min. liquid temperature:	36 °F (2 °C)
Max. system pressure:	145 psi (10 bar)

Note: If the UP pump is equipped with a timer, the maximum liquid temperature is 150 °F (66 °C).

Model	Volts	Amps	Watts	Hp	Capacitor
UP 15-18 B5	115	0.74	86	1/25	10μF/180 V
	230	0.4	90	1/25	2μF/400 V
UP 15-18 B7	115	0.74	86	1/25	10μF/180 V
	230	0.4	96	1/25	2μF/400 V

## Approvals



Model type	Product number		Dimensions [inches (mm)]						Connection type and size	Shipping weight [lbs (kg)]
	115 V	230 V	A	B	C	D	E	F		
UP 15-18 B5	59896114	59896118	5.00 (127)	4.69 (119)	4.00 (102)	3.50 (89)	3.25 (83)	—	1/2" sweat	6.0 (2.7)
UP 15-18 B5/LC	59896211	-	5.00 (127)	6.19 (157)	5.50 (140)	3.50 (89)	3.25 (83)	4.00 (102)	1/2" sweat	6.5 (2.9)
UP 15-18 B5/TLC	59896212	-	5.00 (127)	6.19 (157)	5.50 (140)	3.50 (89)	3.25 (83)	4.00 (102)	1/2" sweat	6.5 (2.9)
UP 15-18 B7	59896121	59896119	6.38 (162)	5.13 (130)	4.00 (102)	3.80 (97)	3.25 (83)	—	3/4" sweat	6.7 (3.0)
UP 15-18 B7/LC	59896229	-	6.38 (162)	6.63 (168)	5.50 (140)	3.80 (97)	3.25 (83)	4.00 (102)	3/4" sweat	7.2 (3.3)
UP 15-18 B7/TLC	59896230	-	6.38 (162)	6.63 (168)	5.50 (140)	3.80 (97)	3.25 (83)	4.00 (102)	3/4" sweat	7.2 (3.3)

Note: LC/TLC models have 6 ft (1.8 m), 3-prong power cord.  
Dimensions in inches unless otherwise noted.