

ECOJET PUMPS

LEADER
PUMPS



GENERAL DATA

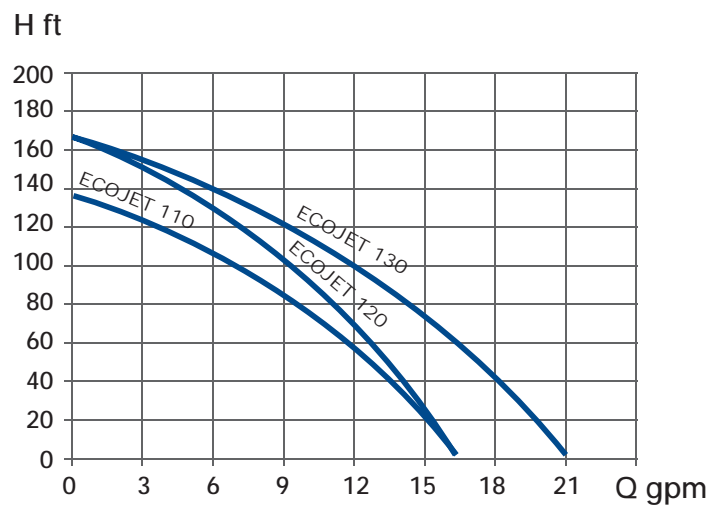
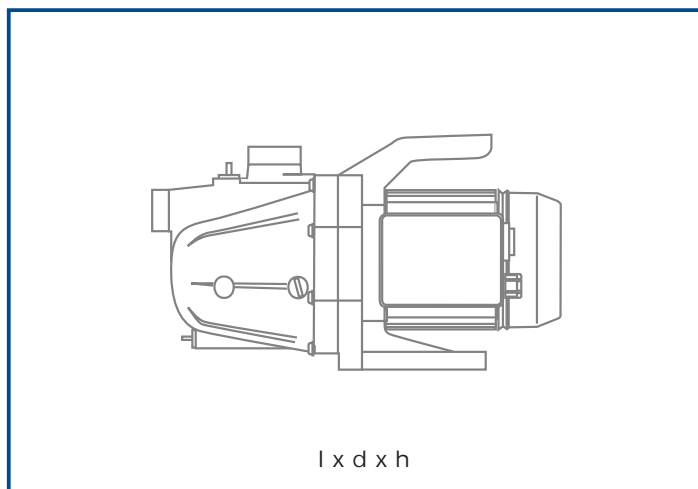
Applications

Self-priming pumps ideal for supplying water for domestic and irrigation applications.

Construction features of the pump

- Anti-corrosive and rust-proof materials
- Motor with thermic overload protection
- Double sealing system between motor and hydraulic part
- High resistance to frost and icing
- Supplied with power cable with plug, switch and self-sealing fitting

ECOJET



Model	P1 W-HP	H max Ft	Q max Gpm	H max Ft	g	Max Psi
110	800-1/2	138	16	29	1"	63
120	1000-3/4	164	16	29	1"	73
130	1250-1	164	21	29	1"	73

Model	Inch	lb	lb
110	16.3x8.3x10.6	19	21
120	16.3x8.3x10.6	20	21
130	16.3x8.3x10.6	23	21