

TANK BOOSTER SYSTEMS

LEADER
PUMPS



PUMPS  CERTIFIED

GENERAL DATA

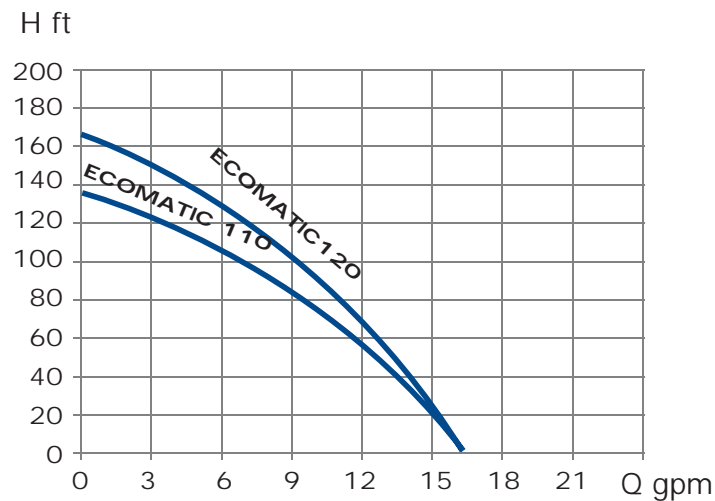
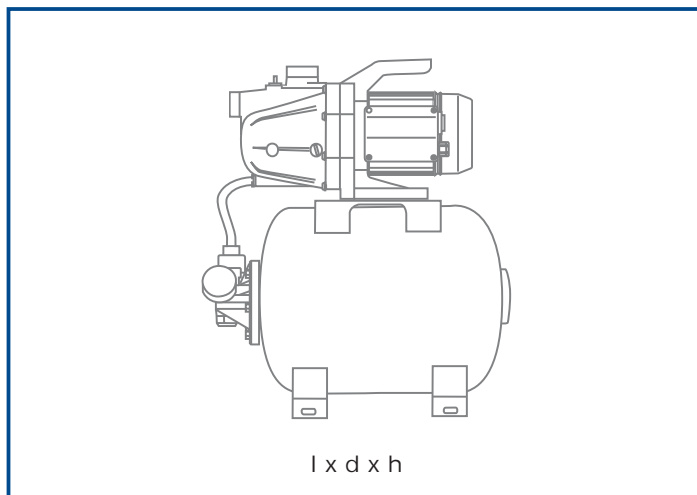
Applications

Traditional booster sets for supplying water for domestic applications.

Construction

- Tank membrane made in butile
- Designed to automatically Start and Stop the pump when taps are opened or closed
- Compact design with pressure switch, manometer and drainage tap positioned on the tank flange

ECOMATIC



ECOMATIC	P1 W-HP	H max Ft	Q max Gpm	H max Ft	Impellers	Max Psi	1"	G
110	800-1/2	138	16	21	1	29/50	1"	6.3
120	1000-3/4	164	16	21	1	36/61	1"	6.3

ECOMATIC	Inch	lb	Impellers
110	10.4x10.4x5.5	4.8	32+64
120	11.4x11.4x5.9	6	32+64