

# ELECTRONIC BOOSTER SETS

LEADER  
PUMPS



ECOTRONIC



ECOTRONIC



INOXTRONIC

PUMPS  CERTIFIED

## GENERAL DATA

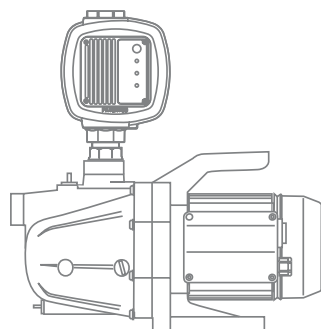
### Applications

High reliable electronic booster sets for supplying water for domestic applications.

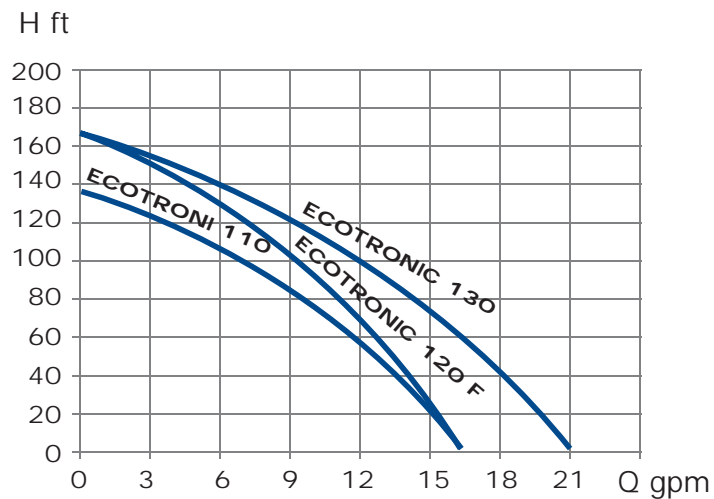
### Construction

- Equipped with an electronic safety device that protects the pump from dry-running
- Built-in non return valve
- Designed to automatically Start and Stop the pump when taps are opened or closed
- Automatic and manual reset
- Constant pressure and flow rate
- Supplied with power cable with plug

# ECOTRONIC



l x d x h

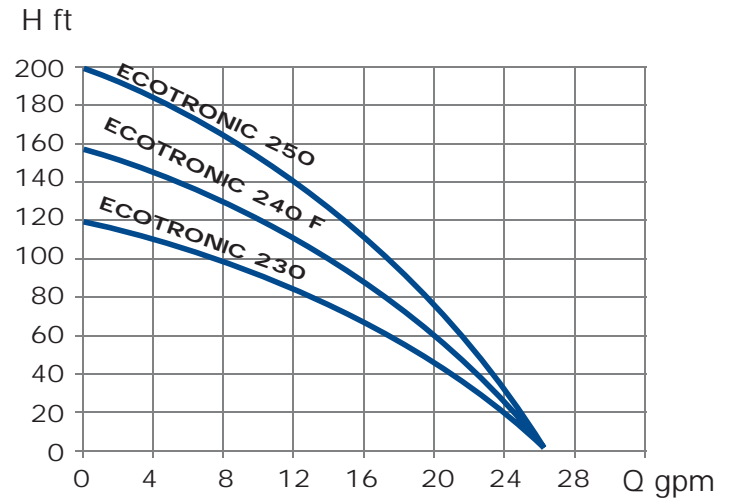
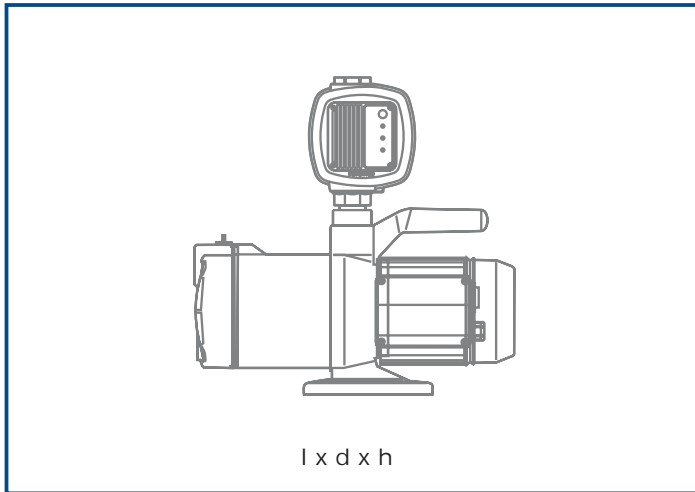


ECOTRONIC	P1 W-HP	H max Ft	Q max Gpm	H max Ft	impellers	Max Psi	G
110	800-1/2	138	16	29	3	27/63	1"
120 F*	1000-3/4	164	16	29	4	27/73	1"
130	1250-1	164	16	29	5	27/73	1"

ECOTRONIC	Inch	lb	Weight
110	16.3x9.3x15	19	28
120 F*	16.3x9.3x15	24	28
130	16.3x9.3x15	27	28

\* equipped with water filter

# ECOTRONIC

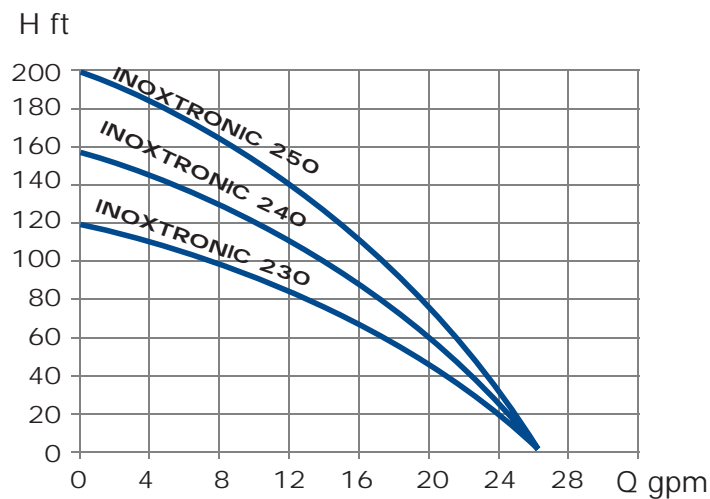
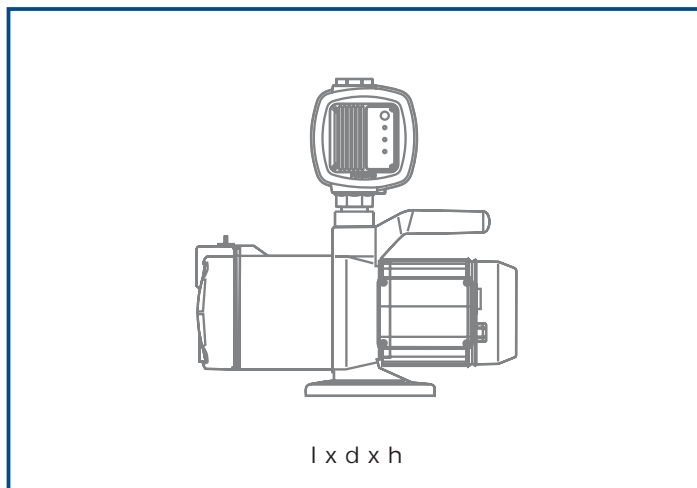


ECOTRONIC	P1 W-HP	H max Ft	Q max Gpm	H max Ft	impellers	Max Psi	Inch
230	800-1/2	118	27	26	3	27/52	1"
240 F*	1000-3/4	157	27	26	4	27/73	1"
250	1250-1	197	27	26	5	27/86	1"

ECOTRONIC	Inch	lb	Inch
230	14.6x9.1x15.2	21	28
240 F*	15.4x9.1x15.2	26	28
250	16.5x9.1x15.2	29	28

\* equipped with water filter

# INOXTRONIC



INOXTRONIC	P1 W-HP	H max Ft	Q max Gpm	H max Ft	impellers	Max Psi	g
230	800-1/2	118	27	26	3	27/52	1"
240	1000-3/4	157	27	26	4	27/73	1"
250	1250-1	197	27	26	5	27/86	1"

INOXTRONIC	Inch	lb	Weight
230	14.6x9.1x15.2	21	28
240	15.4x9.1x15.2	25	28
250	16.5x9.1x15.2	29	28

\* equipped with water filter