

1-ABS Series



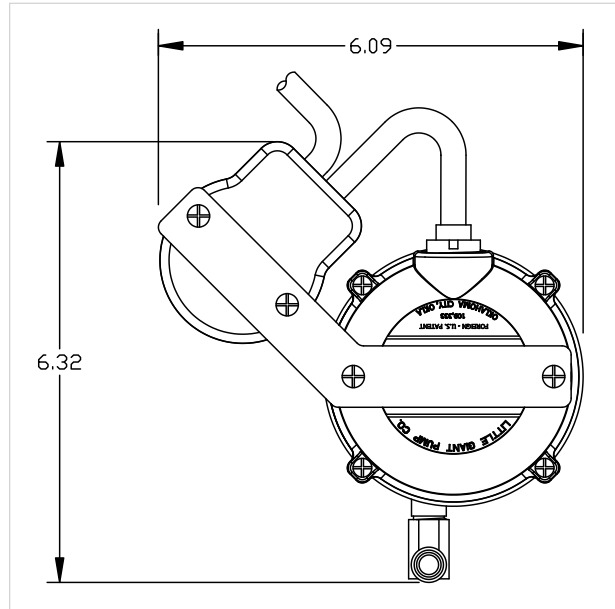
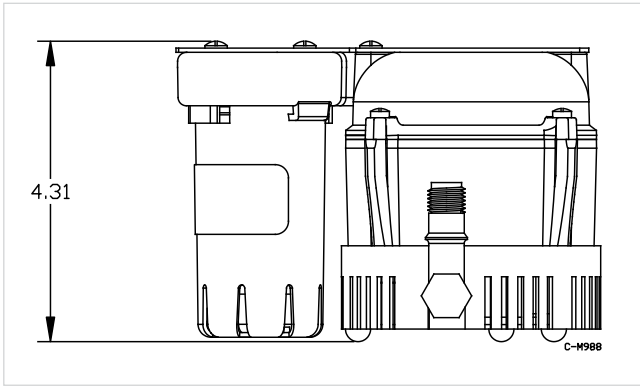
Applications:

- Ideal for in-pan placement for condensate removal

Features:

- Permanently lubricated and designed to maximize heat dissipation
- Epoxy coated cast aluminum housing
- Automatic, in-pan design
- Advanced non-mercury mechanical switch
- On level: 2.5", Off level: 1.5"
- 1/4" MNPT discharge
- 10' maximum lift

Dimensional Outlines:



Specifications:

Item #	Model	Discharge	HP	Volts	Hertz	Amps	Watts	Performance (GPH @ Head)			Shut Off	PSI	Power Cord	Weight
								1'	3'	5'				
1-ABS	550520	1/4"	1/150	115	60	1.1	70	205	180	145	10'	4.3	9'	3.5
1-ABS	550530	1/4"	1/150	230	50/60	0.6/0.5	70	205	180	145	10'	4.3	11'	3.75

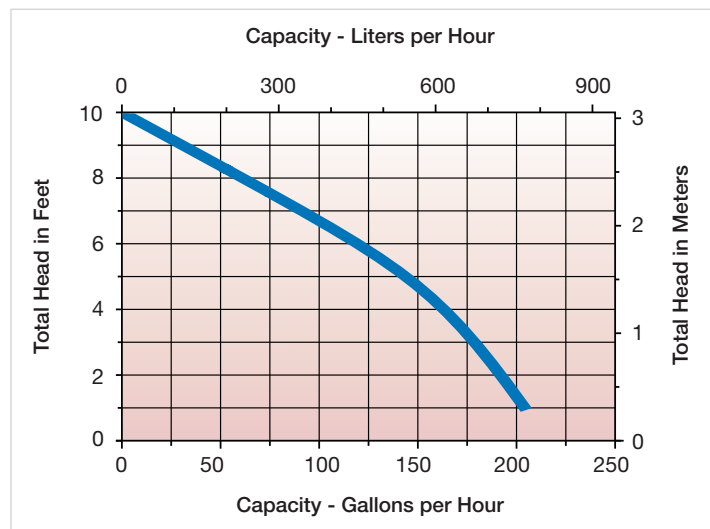
Construction:

Motor: 1/150 HP
Liquid Temperature: Up to 120°
Intake: N/A
Discharge: 1/4" MNPT
Housing: Epoxy coated cast aluminum
Cover: Epoxy coated cast aluminum
Volute: Nylon
Impeller: Nylon
Shaft Seal: Nitrile
Screen: Polyethylene
Switch Bracket: Stainless Steel

Replacement Parts

Volute: 116375
Impeller: 116437
Seal Ring: 928007
Screen: 101376

Performance:



P.O. Box 12010
 Oklahoma City, OK 73157-2010
 Phone: 1.800.701.7894
 Fax: 1.800.678.7867
 www.LittleGiantPump.com

©2008 Franklin Electric Co., Inc.
 Little Giant® is a registered trademark of Franklin Electric Co., Inc.
 Form 995120 1/08

Little GIANT®
 Pumps. People. Partnerships.