

Wastewater

6EN Series



6EN-CIA-SFS



6EN-CIA-RF



6EN-CIM

Applications

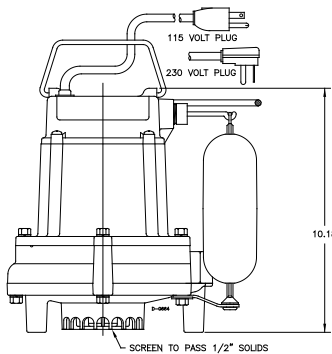
- Little Giant 6EN Series Sump/Effluent Pumps are rated for continuous duty use in dewatering and light effluent applications

Features

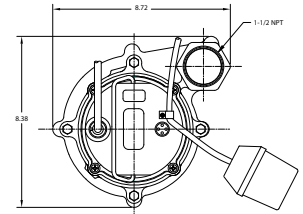
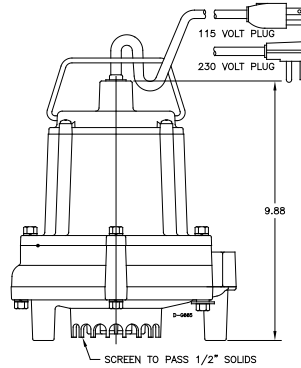
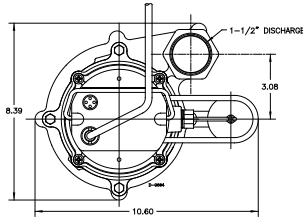
- 1/3 hp PSC motor with thermal overload protection
 - Energy saving low amp draw
 - Cooler running motor which extends the life of the pump
- Cast iron pump housing with protective epoxy coating for corrosion and rust resistance, polypropylene base
- Stainless steel screws, bolts and handle
- Mechanical seals (stainless steel spring, nitrile parts, carbon and ceramic faces)
- Upper and lower sintered sleeve bearings
- Vortex impeller
- 1-1/2" FNPT discharge
- Handles liquid and solid waste materials up to 1/2" diameter
- Available in manual or automatic operation with two switch options;
 - Integral snap action float switch
 - On Level 7" - 10"
 - Off Level 2" - 5"
 - Piggyback mechanical float switch
 - On Level 12" - 14"
 - Off Level 5" - 7"
- Two year warranty
- Fully submersible

LittleGIANT®

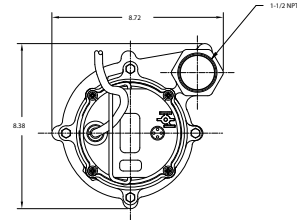
Engineering Data



6EN-CIA-SFS



6EN-CIA-RF



6EN-CIM

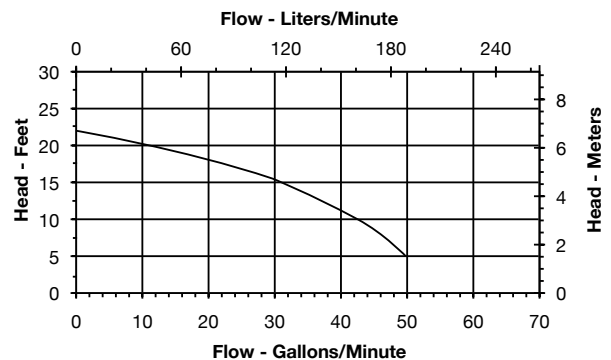
Specifications

Item No.	Model No.	Listing(s)	HP	Volts	Solids Size (dia. in.)	Running Amps/Watts	Performance (GPM @ Head)			Shutoff		Cord Length (ft.)	Weight (lbs.)	Dimension H x L x W (in.)
							5'	10'	15'	Ft.	PSI			
506630	6EN-CIA-SFS	cCSAus	1/3	115	1/2"	6/600	50	42	30	22	9.5	10	28	10.18 x 10.60 x 8.39
506631	6EN-CIA-SFS	cCSAus	1/3	115	1/2"	6/600	50	42	30	22	9.5	20	28	10.18 x 10.60 x 8.39
506635	6EN-CIA-SFS	cCSAus	1/3	230	1/2"	3/600	50	42	30	22	9.5	10	28	10.18 x 10.60 x 8.39
506636	6EN-CIA-SFS	cCSAus	1/3	230	1/2"	3/600	50	42	30	22	9.5	20	28	10.18 x 10.60 x 8.39
506619	6EN-CIA-RF	cCSAus	1/3	115	1/2"	6/600	50	42	30	22	9.5	20	28	9.87 x 8.75 x 8.50
506620	6EN-CIA-RF	cCSAus	1/3	115	1/2"	6/600	50	42	30	22	9.5	10	28	9.87 x 8.75 x 8.50
506610	6EN-CIM	cCSAus	1/3	115	1/2"	6/600	50	42	30	22	9.5	10	27	9.87 x 8.75 x 8.50
506611	6EN-CIM	cCSAus	1/3	115	1/2"	6/600	50	42	30	22	9.5	20	27	9.87 x 8.75 x 8.50
506612	6EN-CIM	cCSAus	1/3	115	1/2"	6/600	50	42	30	22	9.5	25	27	9.87 x 8.75 x 8.50
506615	6EN-CIM	cCSAus	1/3	230	1/2"	3/600	50	42	30	22	9.5	10	27	9.87 x 8.75 x 8.50
506616	6EN-CIM	cCSAus	1/3	230	1/2"	3/600	50	42	30	22	9.5	20	27	9.87 x 8.75 x 8.50
506641	6EN-CIM (Black)	cCSAus	1/3	115	1/2"	6/600	50	42	30	22	9.5	20	27	9.87 x 8.75 x 8.50

Construction

Cover	Polycarbonate
Motor Housing	Epoxy-coated cast iron
Impeller Material	Nylon
Impeller Type	Vortex
Volute	Epoxy-coated cast iron/polypropylene
Power Cord	SJTW (506612 with SJTOW)
Mechanical Shaft Seal	Nitrile with carbon & ceramic faces
Fasteners	Stainless steel
Shaft	Cold rolled steel
Bearings	Upper and lower sintered sleeve bearings

Performance Data



P.O. Box 12010
Oklahoma City, OK 73157-2010
Phone: 1.800.701.7894
Fax: 1.800.678.7867
www.LittleGiantPump.com

