

Little GIANT®

VCL-24ULS SERIES



Features

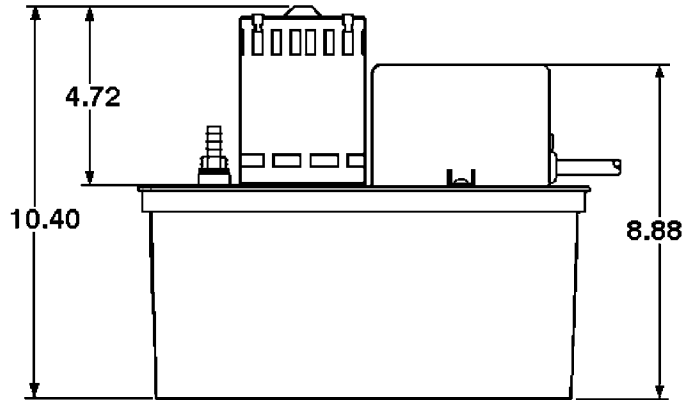
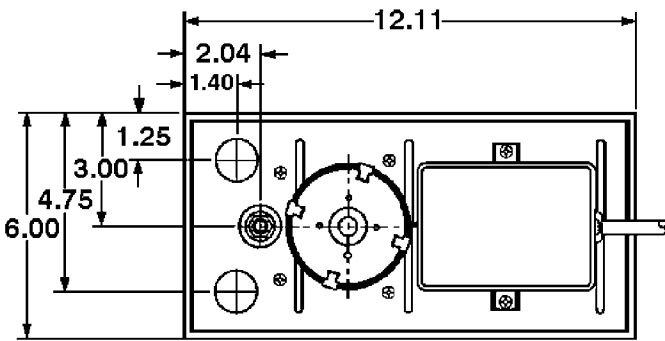
- Vertical type pump unit
- Leakproof, rustproof, ABS tank
- ABS switch cover and pump stand
- 1/4" FNPT or 3/8" O.D. barbed discharge adapter
- Safety switch included on "S" models
- 24' shut-off head
- UL/CSA listed
- Thermal overload protected
- Motor — 1/18 HP
- Intermittent Liquid Temp. up to — 120°F

Construction

- Housing — ABS
- Cover — Galvanized steel
- Volute — ABS
- Impeller — Polypropylene
- Motor Shaft — Stainless steel

Large, 1 gallon, ABS plastic tank condensate unit. Pumps feature a vertical-type pump with stainless steel motor shaft, and galvanized steel tank cover. Discharge is a 1/4" FNPT or 3/8" O.D. barbed tubing adapter. Pump features a safety switch that can be connected to shut down the air conditioner condenser or wired to an alarm to warn of possible tank overflow. Pump is rated for high-efficiency gas furnace applications that produce an acidic condensate. Thermally protected motor is UL and CSA listed.

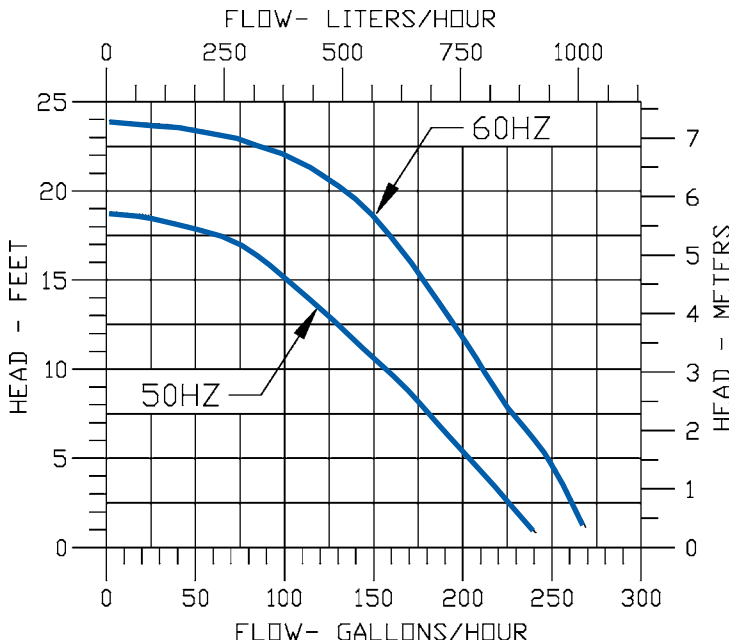
VCL-24ULS SERIES



Specifications

Model No.	Item No.	Discharge Size	Listing	HP	Volts	Hertz	Amps	Watts	Performance (GPH @ Head)				Shut Off		Pwr. Cord (ft.)	Weight (lbs.)
									1'	3'	5'	9'	Feet	PSI		
VCL-24UL	553206	1/4" FNPT x 3/8" OD Barbed	UL/CSA	1/18	115	60	2.5	148	270	260	250	210	24	10.4	6	8.20
VCL-24ULS	553201	1/4" FNPT x 3/8" OD Barbed	UL/CSA	1/18	115	60	2.5	148	270	260	250	210	24	10.4	6	8.20
VCL-24ULS*	14940371	1/4" FNPT x 3/8" OD Barbed	UL/CSA	1/18	115	60	2.5	148	270	260	250	210	24	10.4	6	9.25
VCL-24ULS	553211	1/4" FNPT x 3/8" OD Barbed	UL/CSA	1/18	230	50/60	1.2	148	270	260	250	210	24	10.4	6	8.20
VCL-24ULS*	14940372	1/4" FNPT x 3/8" OD Barbed	UL/CSA	1/18	230	50/60	1.2	148	270	260	250	210	24	10.4	6	9.25

* With 3/8" ID X 20 ft. tubing



Replacement Parts

Tank	153502
Cover, Tank	153220
Stand/Volute	153100
Cover, Volute	153110
Float/Switch Assy.	153537
Impeller	153131
Safety Switch Assy.	154713
Cover, Switch	153120
Adapter, 3/8"	153300
Seal Ring	924038