

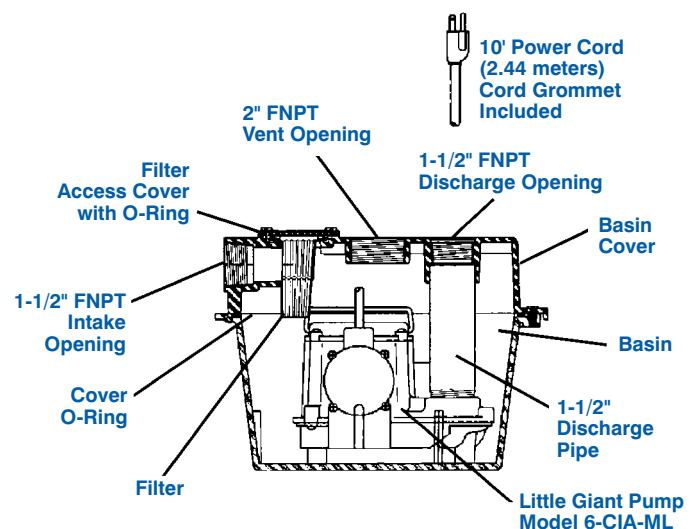
Little GIANT®

WRSC-6



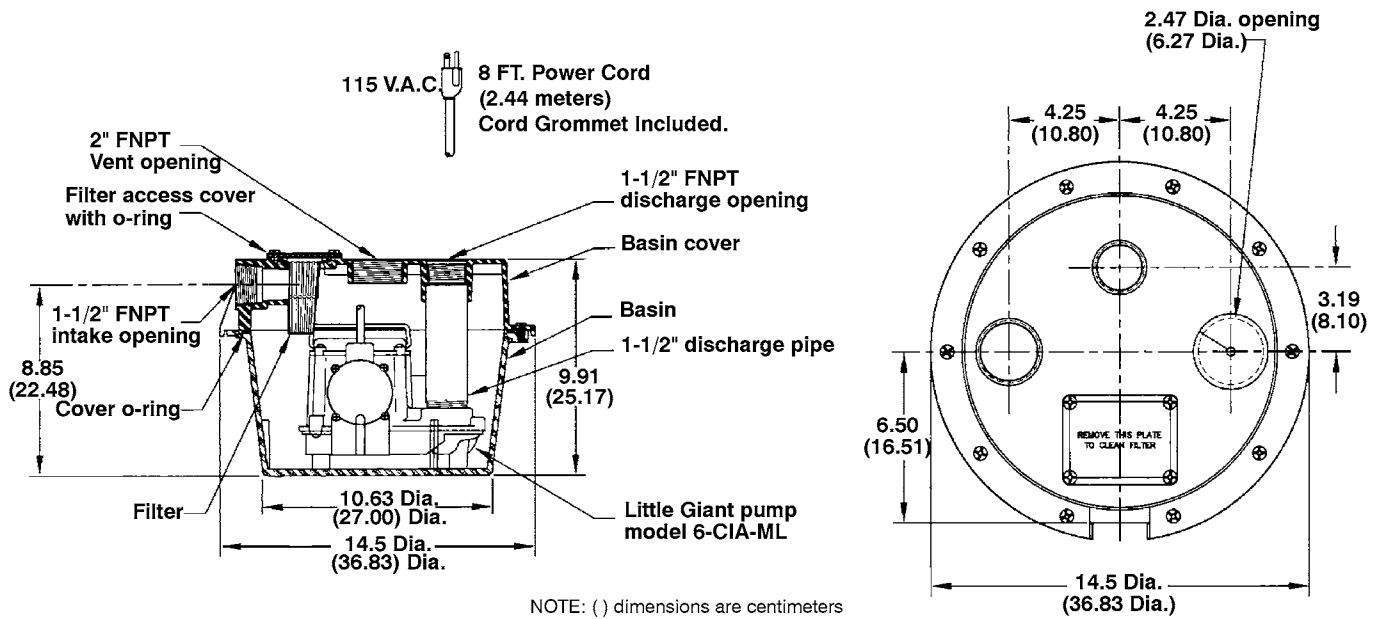
Features

- Pump made of cast iron housing with protective epoxy coating for corrosion resistance
- Screened intake
- 1/3 HP motor with thermal overload protection
- Automatic diaphragm pressure switch enclosed in nylon housing with “on” level at 4”–7” and “off” level at 1”–3”
- Compact design for limited space applications
- Basin made of polypropylene, light weight, and corrosion resistant
- Basin designed with O-rings to provide a water-tight seal
- Basin cover comes with a removable filter screen for easy cleaning
- Cover comes with 1-1/2” FNPT discharge, a 1-1/2” FNPT intake opening, 2” FNPT vent opening and a rubber cord grommet to fit cord exit hole
- IAPMO listed basin
- Pre-assembled ready to be installed



The compact “DRAINOSAUR” removes water from laundry trays, lavatory sinks, wet bar sinks, dehumidifiers, air conditioners (condensate), water softeners, etc. Installs above floor, no need to dig a sump. Unit is pre-assembled and ready-to-install.

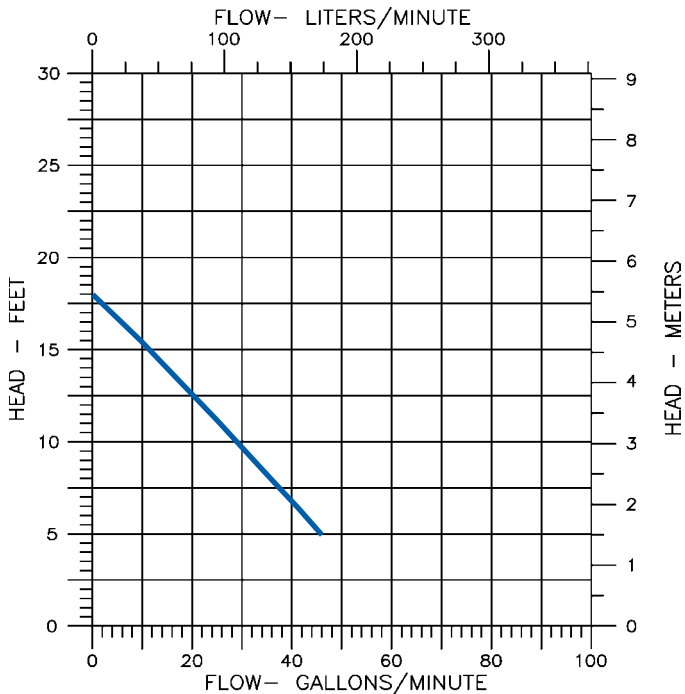
WRSC-6



Specifications

| Model No. | Item No. | Discharge | Listing | HP | Volts | Hz. | Running Amps/Watts | Flow (GPM @ Head) | | | Shutoff Head (ft.) | Weight (lbs.) | Dimensions (H x L x W) (in.) |
|-----------|----------|-----------|--------------|-----|-------|-------|--------------------|-------------------|-----|-----|--------------------|---------------|------------------------------|
| | | | | | | | | 5' | 10' | 15' | | | |
| WRSC-6 | 506065 | 1-1/2" | UL/CSA/IAPMO | 1/3 | 115 | 60 | 9/720 | 45 | 29 | 12 | 18' | 25 | 14.50 x 9.91 |
| WRSC-6 | 506066 | 1-1/2" | UL/CSA/IAPMO | 1/3 | 230 | 50/60 | 5/720 | 45 | 29 | 12 | 18' | 25 | 14.50 x 9.91 |

UL/CSA listing for pump only



Pump Construction

| | |
|-----------------------|---|
| Motor Housing | Epoxy-coated Cast Iron |
| Impeller Material | Nylon |
| Impeller Type | Non-Clog |
| Volute | Polypropylene |
| Power Cord | SJTW-A |
| Mechanical Shaft Seal | Carbon & Ceramic Faces with Nitrile Bellows |
| Fasteners | Stainless Steel |
| Shaft | CRS |
| Bearings | Upper and Lower Sintered Sleeve Bearings |

Basin Construction

| | |
|--------------------------------|---------------|
| Basin/Cover | Polypropylene |
| Basin Fluid Capacity (approx.) | 3.5 Gallons |
| Discharge Size | 1-1/2" FNPT |
| Intake Size | 1-1/2" FNPT |
| Vent Size | 2" FNPT |