



## Installation Manual

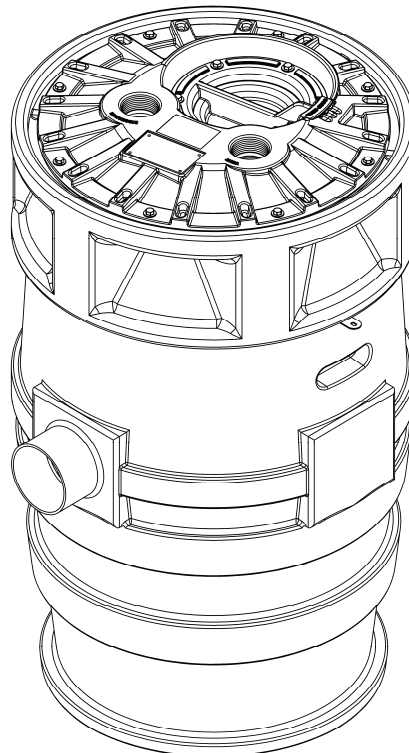
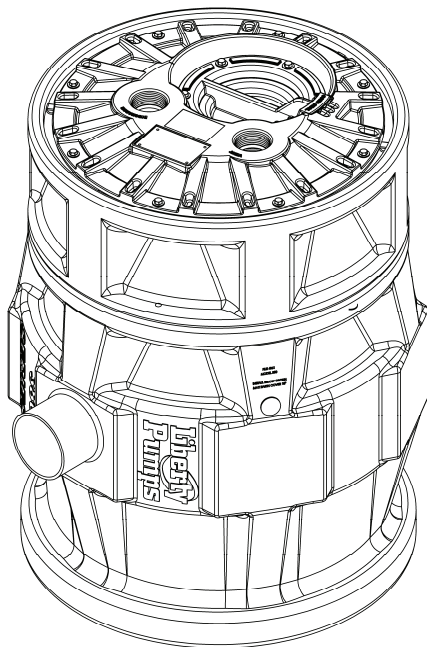
7264000C

## Model X8

## 8" Basin Extension PRO SERIES

### Model X8 Includes:

- 8" molded extension
- Rubber gasket seal
- 8 (16) stainless cover bolts



7000 Apple Tree Avenue  
Bergen, NY 14416  
Phone: (800) 543-2550  
Fax: (585) 494-1839  
[www.libertypumps.com](http://www.libertypumps.com)

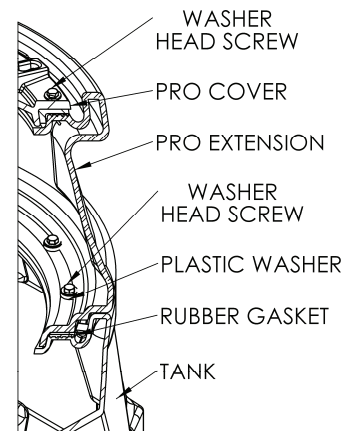
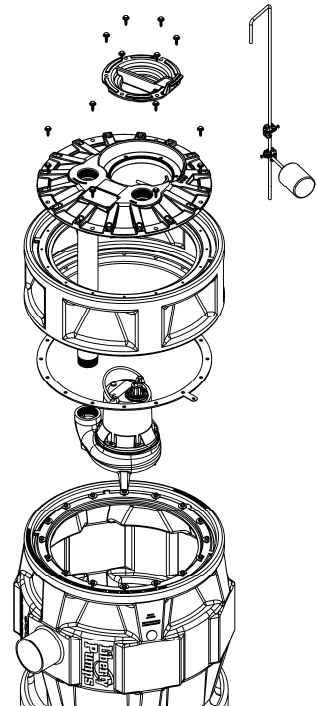
## X8 Extension Installation

Before installing the X8 basin extension, the pump and cover must be removed from an assembled PRO380 or PRO370 system.

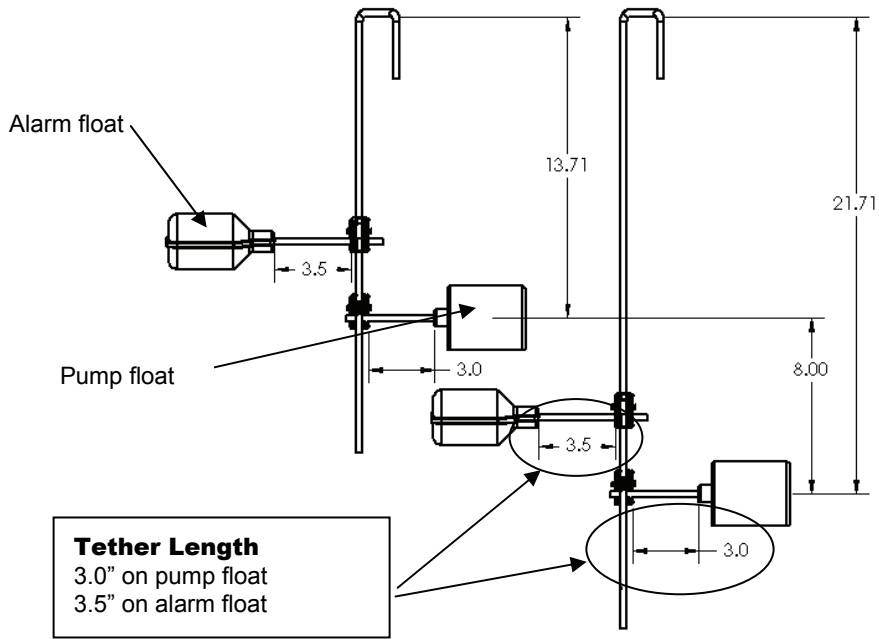
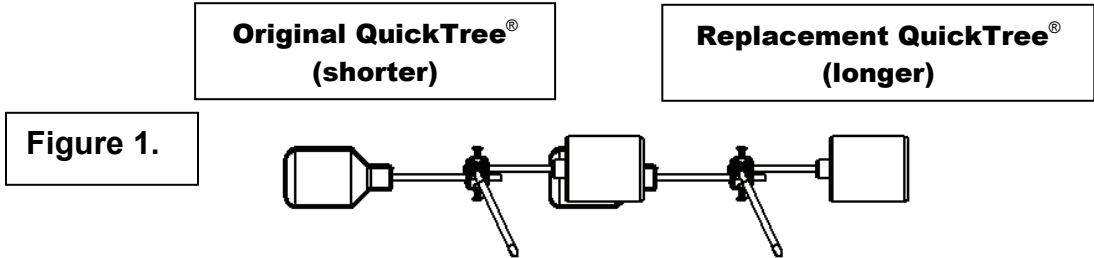
- 1.) Remove the small access cover which is secured by 6 fasteners.
- 2.) Remove the QuickTree® (float rod and floats) from the basin by lifting the unit out of its holder.
- 3.) Unscrew the fasteners securing the main cover to the tank. In order to remove the main cover it must be separated from the PVC discharge pipe. This can be done by rotating the cover back and forth while pulling upward. Once removed, the discharge pipe should then be unscrewed from the pump.

Re-assembly:

- 1) The short length of pipe and the coupling must be “glued” to the current discharge pipe.
- 2) Place the pump with pipe into the basin and position it within the torque stops. (The torque stops are the three round pockets located at the bottom of the basin.) Each leg of the pump should be in side one of the pockets.
- 3) The gasket can now be placed onto the tank’s rim, match the holes in the gasket with the threaded inserts in the tank.
- 4) Lower the extension onto the gasket carefully as not to disturb the gasket.
- 5) Using the screws and washers provided, attach the extension to the tank. Note: an XL system will require 16 screws to provide proper claming load. The torque on the fastener should be 40 in\*lbs **IMPORTANT: do not over tighten.**
- 6) Re-attach the main cover. To facilitate assembly, the PVC pipe should be wetted with soapy water and inserted into the rubber seal under the cover. The cover can be twisted back and forth while pushing down until the cover meets the extension. Re-attach the cover with the same screws that were removed. Note: XL-systems will have 16 screws.
- 7) A new longer QuickTree® rod is provided with the X8 extension. Remove the floats from the original QuickTree® rod by loosening the screw on the clamp. (For systems with an optional alarm, two floats need to be removed.)
- 8) Re-attach the floats to the new longer QuickTree® rod using the diagram (Figure 1) below. **IMPORTANT: It is critical that the tether length remains the same on re-installation. The tether length is the distance of cord from the clamp to the top of the float ball. See Figure 1. for proper lengths.**
- 9) The new QuickTree® rod has four “flat” sections; the upper two are used in a P380 system and the lower two on a P370 system. The lowest float is the pump control followed by the alarm float if the system is equipped with the alarm option.

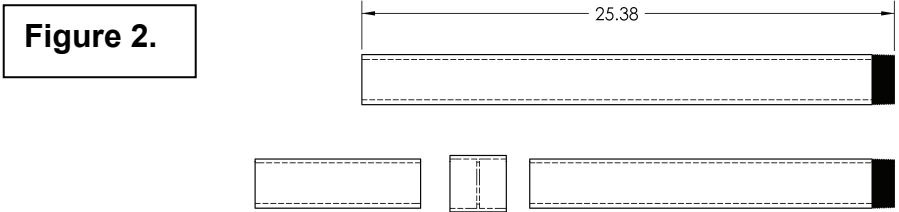


# PRO 380 SYSTEMS FLOAT TREE AND PIPE INSTRUCTIONS



**New Discharge Pipe configuration:**

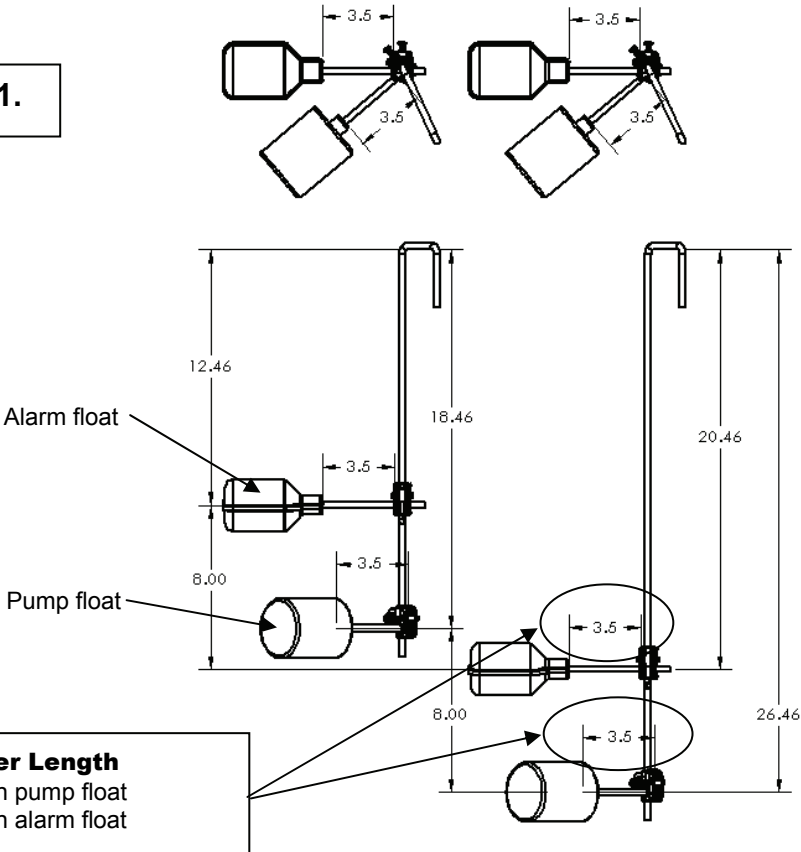
Note for PRO 380 systems only, the new length of pipe required is 25 3/8" which is 8" longer than the one in the system. The kit includes a coupling and short length of pipe that must be "glued" to the existing discharge pipe.



# PRO 370 SYSTEMS FLOAT TREE AND PIPE INSTRUCTIONS



**Figure 1.**



**New Discharge Pipe configuration:**

Note for PRO 370 systems only, the new length of pipe required is 31 5/8" which is 8" longer than the one in the system. The kit includes a coupling and short length of pipe that must be "glued" to the existing discharge pipe.

**Figure 2.**

