

# Liberty Pumps®

## NEW!

## ProVore™

# PRG-Series



US Patent  
# 7,159,806 & Patent  
Pending



## Residential Grinder Pump

**1 hp  
2" Discharge**

*Designed for residential  
sewage applications*

*Higher flow rates allow use  
with 2" discharge lines*

*Operates on standard 115  
or 230 volt 20 amp circuits*

### Features:

- Heavy cast iron construction
- 115V or 230V single phase
- Patented V-Slice® cutter technology
- Shreds difficult solids such as feminine products, rags, towels and wipes that can jam a solids-handling style pump
- Hardened stainless steel cutter and plate
  - Oil-filled, thermally protected motor
- PRG-Series residential grinders can be used as a replacement pump in 2" discharge systems using LE40 and LE50-series solids-handling pumps.\*

\*PRG-Series flow rates do not exactly match LE-series flow rates. Consult factory with actual application and head specification prior to replacing LE40 and LE50-series pumps.

### Models:

**PRG101M 115V, 12a, Manual**

**PRG101A 115V, 12a, Automatic**

**PRG102M 230V, 6a, Manual**

**PRG102A 230V, 6a, Automatic**

innovate. evolve.

# PRG100-Series

## 1 hp Residential Grinder Pump

**Impeller**  
Cast Iron, Class 25

**Paint**  
Powder Coat

**Max Liquid Temp.**  
60°C / 140° F

**Motor**  
CSCR style, Class B windings.  
Oil-filled, thermally protected

**Power Cord Type**  
SJTW, quick disconnect design 10'  
standard length. (25' Optional)

**Motor Housing**  
Cast Iron, Class 30

**Volute**  
Cast Iron, Class 30

**Shaft**  
303 Series Stainless Steel

**Hardware**  
Stainless Steel

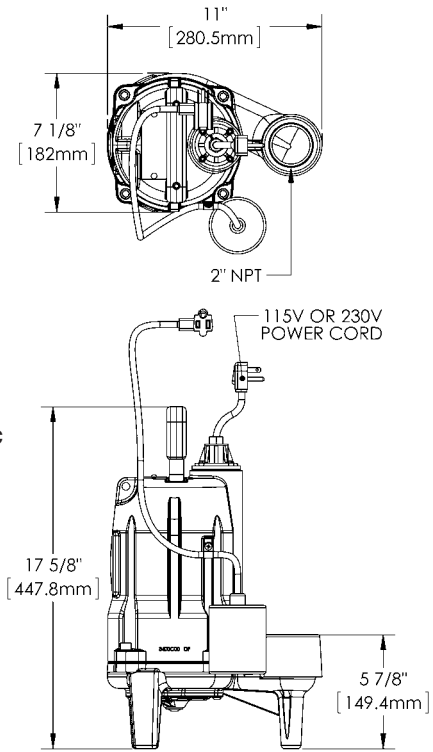
**Mechanical Shaft Seal**  
Unitized Silicon Carbide

**Bearings**  
Upper and lower, ball bearings

**Cutter and Cutter Plate**  
V-Slice® design. 440 Stainless  
Steel hardened to Rockwell 57c

**Switch (automatic models)**  
Mechanical wide angle float  
with series (piggyback) plug

### DIMENSIONAL DATA



MODELS	HP	VOLTS	PHASE	H <sub>z</sub>	AMPS	CORD LENGTH	DISCHARGE	AUTOMATIC	WEIGHT LBS.
PRG101A	1	115	1	60	12	10'	2"	Yes	58
PRG101M	1	115	1	60	12	10'	2"	No	57
PRG102A	1	230	1	60	6	10'	2"	Yes	58
PRG102M	1	230	1	60	6	10'	2"	No	57

For optional 25' power cords, add a "-2" suffix to model number.  
Example: PRG101A-2

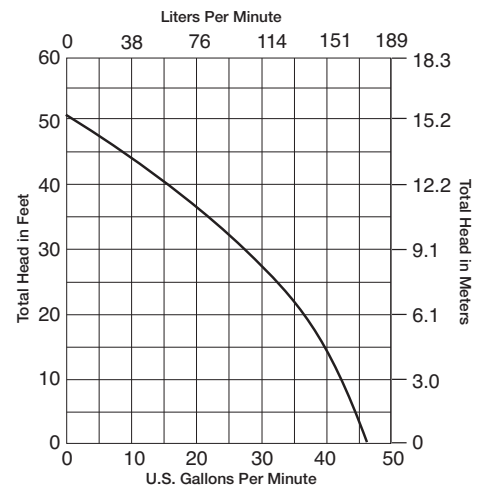
**Maximum Fluid Temperature:** 140° F (60° C)



### V-Slice® Cutter Technology

Shreds difficult solids—such as feminine products, wipes, rags and other debris.  
Patent #7,159,806

### PERFORMANCE CURVE 60 Hz., 3400 RPM



Specifications subject to change without notice.