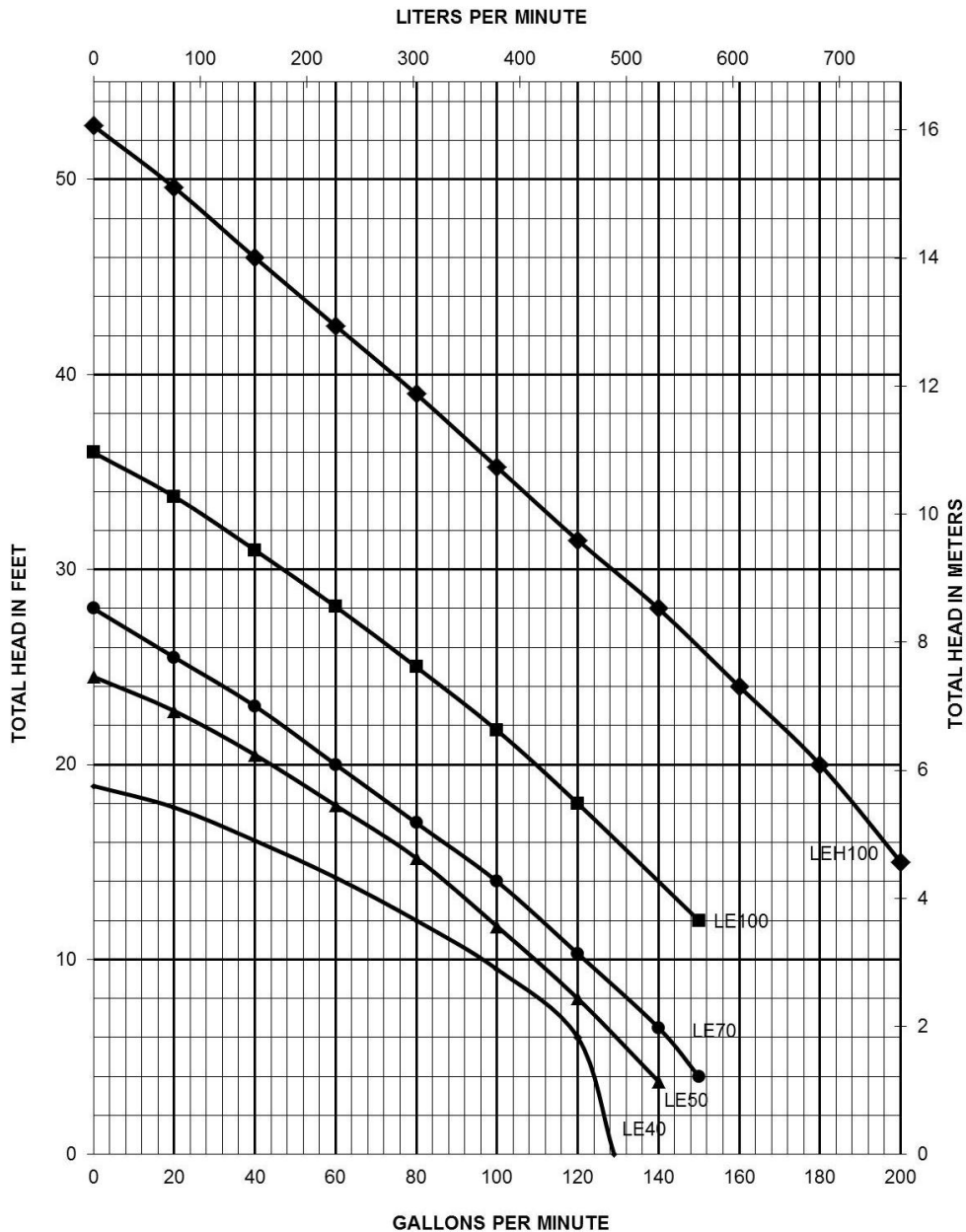
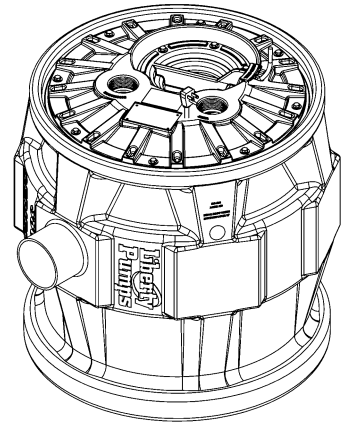


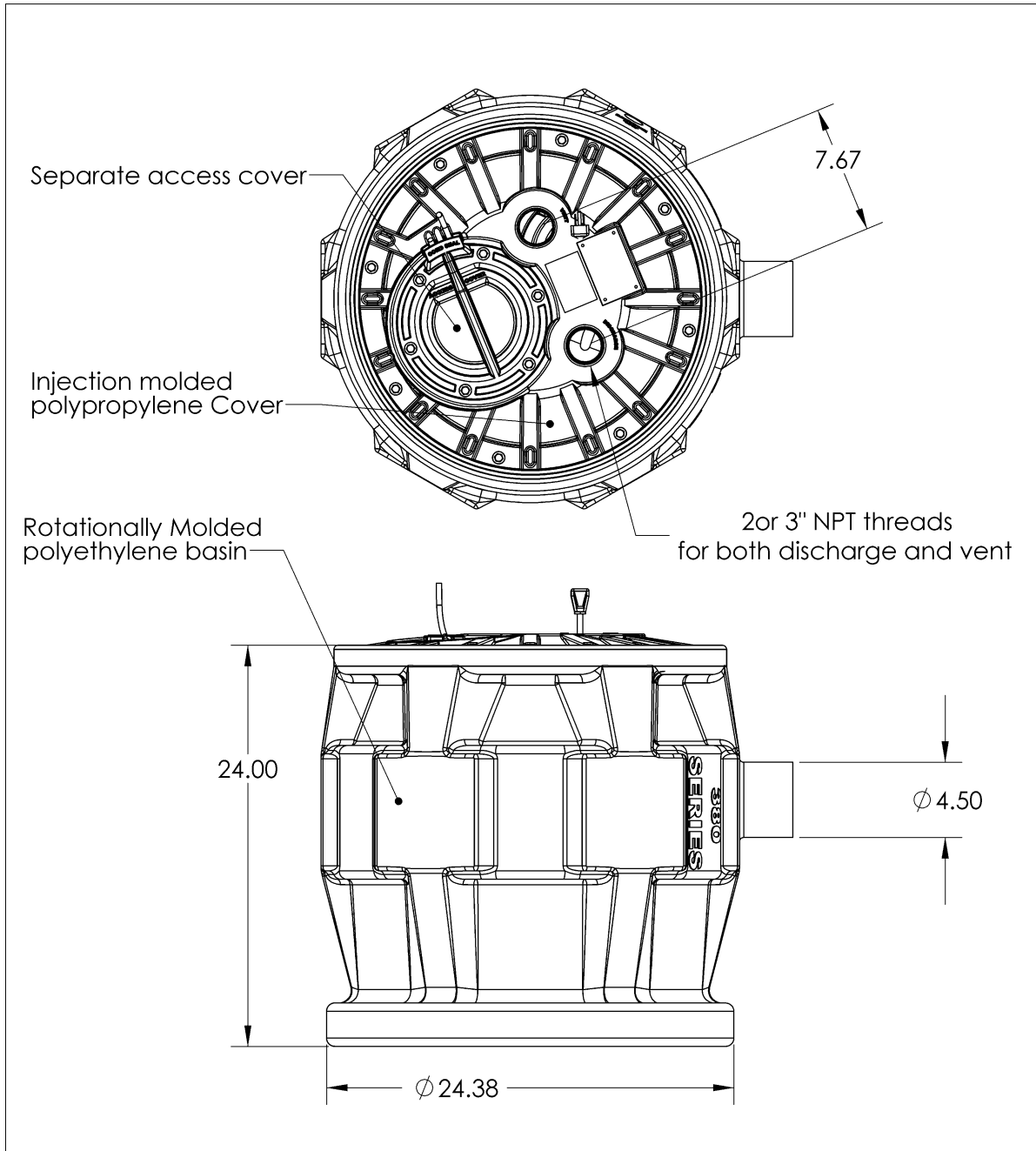
Liberty Pumps®

Pump Specifications

P380-Series Submersible Sewage Simplex Package



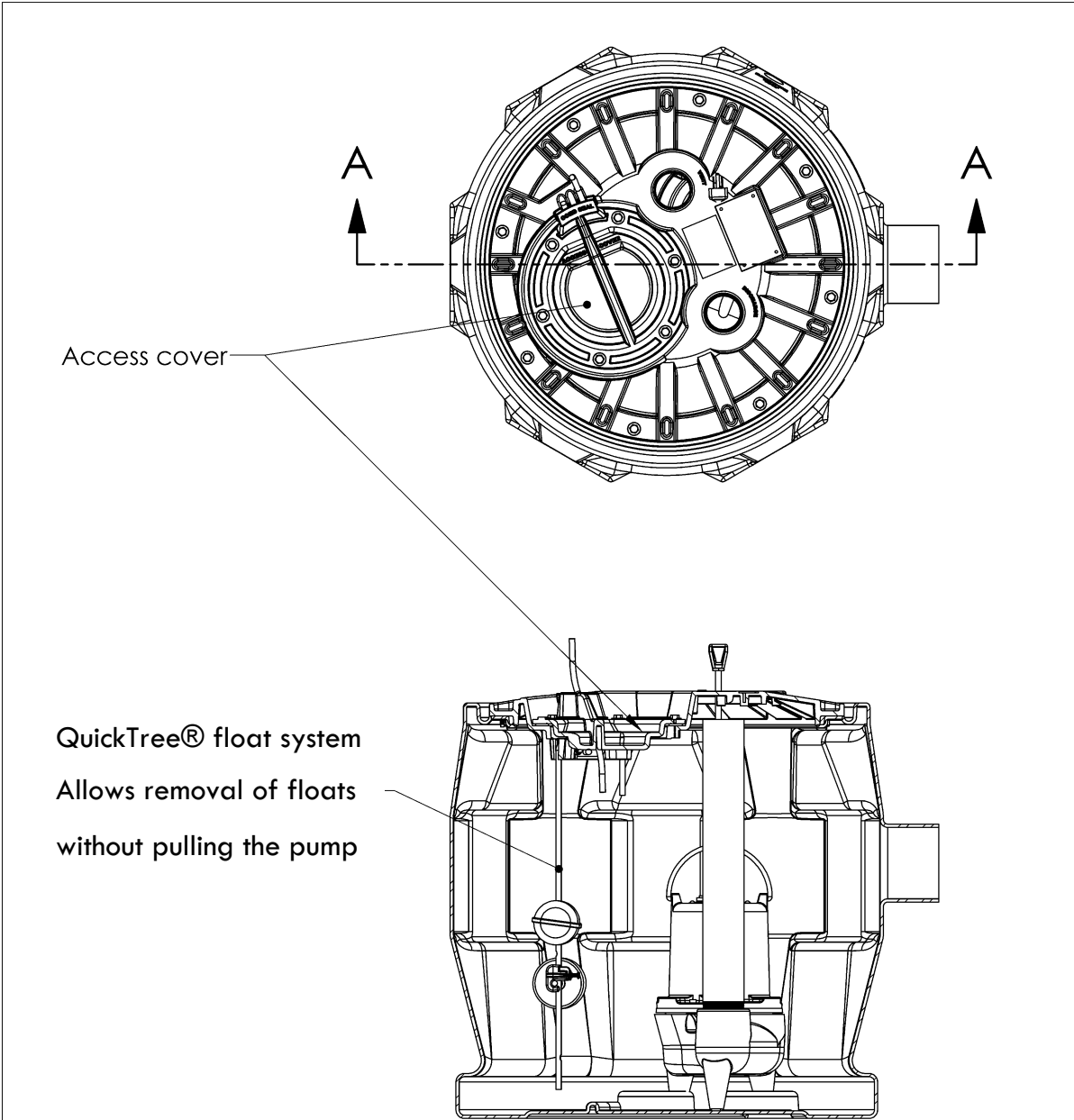
P380-Series Dimensional Data



PROPRIETARY AND CONFIDENTIAL
 THE INFORMATION CONTAINED IN THIS DRAWING IS THE SOLE PROPERTY OF LIBERTY PUMPS. ANY REPRODUCTION IN PART OR AS A WHOLE WITHOUT THE WRITTEN PERMISSION OF LIBERTY PUMPS IS PROHIBITED.

| | | | | | |
|-------------|--|----------------------|-------|-------------------------|--|
| APPLICATION | | DO NOT SCALE DRAWING | | P380 SERIES DIMENSIONAL | |
| DWG. NO. | | SIZE | DATE: | REV. | |
| | | A | | A | |
| SCALE:1:4 | | WEIGHT: | LBS | SHEET 1 OF 1 | |





Access cover

QuickTree® float system
Allows removal of floats
without pulling the pump

SECTION A-A

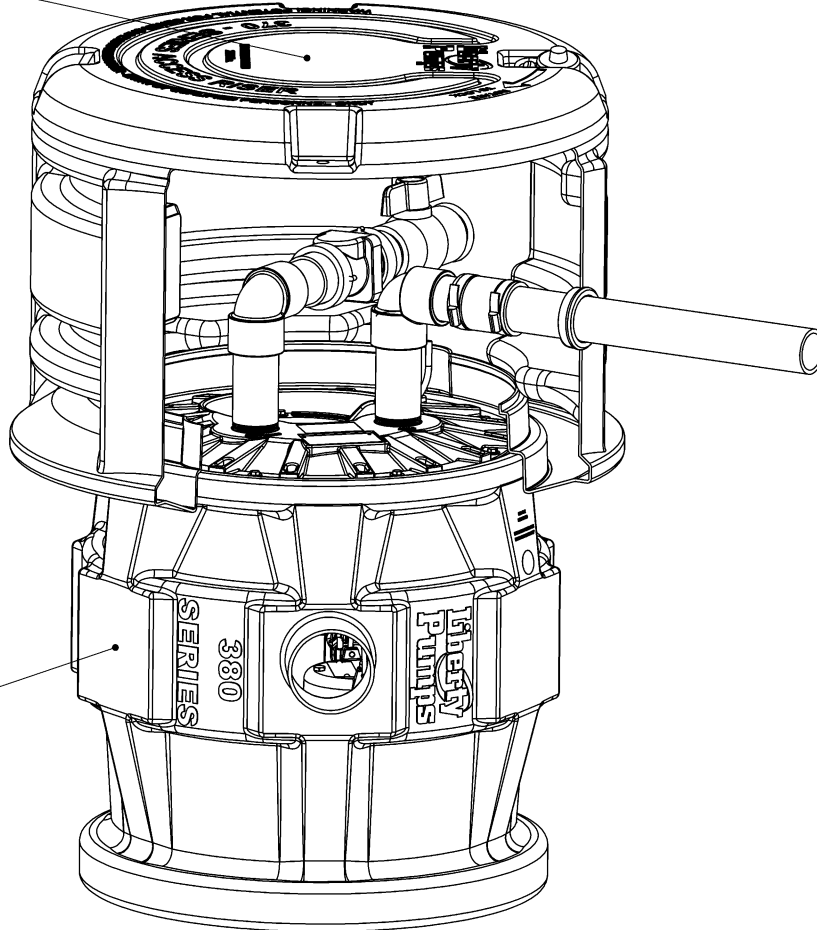


PROPRIETARY AND CONFIDENTIAL
THE INFORMATION CONTAINED IN THIS DRAWING IS THE SOLE PROPERTY OF LIBERTY PUMPS. ANY REPRODUCTION IN PART OR AS A WHOLE WITHOUT THE WRITTEN PERMISSION OF LIBERTY PUMPS IS PROHIBITED.

| | | | | | | | |
|-------------|--|----------------------|--|-----------|-------------------------|-----|--------------|
| APPLICATION | | DO NOT SCALE DRAWING | | DWG. NO. | P380 SERIES DIMENSIONAL | | REV. |
| | | | | SIZE | DATE: | | A |
| | | | | SCALE:1:4 | WEIGHT: | LBS | SHEET 1 OF 1 |



OPTIONAL
ARC18 RISER



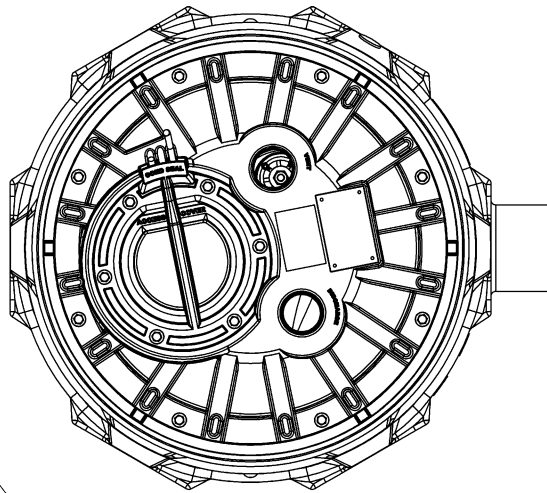
P380 SYSTEM



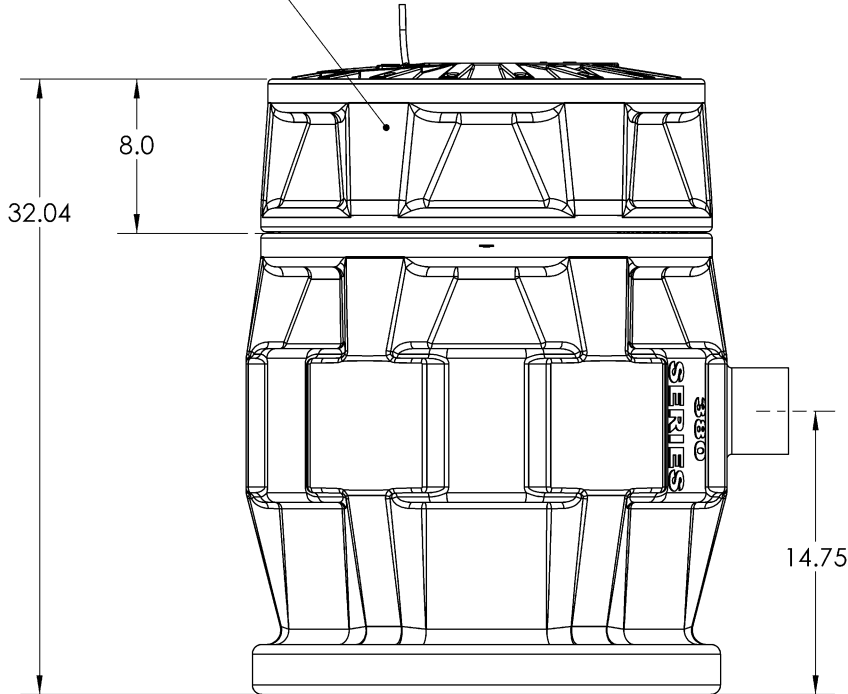
PROPRIETARY AND CONFIDENTIAL
THE INFORMATION CONTAINED IN THIS DRAWING IS THE SOLE PROPERTY OF LIBERTY PUMPS. ANY REPRODUCTION IN PART OR AS A WHOLE WITHOUT THE WRITTEN PERMISSION OF LIBERTY PUMPS IS PROHIBITED.

| | | | | | | |
|-------------|--|----------------------|-----------|----------------------|-----|--------------|
| APPLICATION | | DO NOT SCALE DRAWING | DWG. NO. | P380 SERIES W/ RISER | | REV. |
| | | | SIZE | DATE: | | A |
| | | | SCALE:1:4 | WEIGHT: | LBS | SHEET 1 OF 1 |





OPTIONAL
8" BASIN EXTENSION



PROPRIETARY AND CONFIDENTIAL
THE INFORMATION CONTAINED IN THIS DRAWING IS THE SOLE PROPERTY OF LIBERTY PUMPS. ANY REPRODUCTION IN PART OR AS A WHOLE WITHOUT THE WRITTEN PERMISSION OF LIBERTY PUMPS IS PROHIBITED.

| | | | | | | | |
|-------------|--|----------------------|--|-----------|--------------------------|-----|--------------|
| APPLICATION | | DO NOT SCALE DRAWING | | DWG. NO. | P380 SERIES W/ EXTENSION | | REV. |
| | | | | SIZE | DATE: | A | |
| | | | | SCALE:1:4 | WEIGHT: | LBS | SHEET 1 OF 1 |



P380-Series Electrical Data

| MODEL | HP | VOLTAGE | PHASE | SF | FULL LOAD AMPS | LOCKED ROTOR AMPS | THERMAL OVERLOAD TEMP | STATOR WINDING CLASS | DISCHARGE | AUTOMATIC SYSTEM |
|------------|------|---------|-------|------|----------------|-------------------|-----------------------|----------------------|-----------|------------------|
| P382LE41 | 4/10 | 115 | 1 | 1.00 | 12 | 22.5 | 105°C 221°F | B | 2" | YES |
| P382LE51 | 1/2 | 115 | 1 | 1.00 | 12 | 22.5 | 105°C 221°F | B | 2" | YES |
| P382LE52 | 1/2 | 208-230 | 1 | 1.00 | 6.8 | 12 | 105°C 221°F | B | 2" | YES |
| P382LE71 | 3/4 | 115 | 1 | 1.00 | 12 | 28 | 105°C 221°F | B | 2" | YES |
| P382LE72 | 3/4 | 208-230 | 1 | 1.00 | 6 | 13 | 105°C 221°F | B | 2" | YES |
| P382LE102 | 1 | 208-230 | 1 | 1.00 | 8 | 21 | 105°C 221°F | B | 2" | YES |
| P382LEH102 | 1 | 208-230 | 1 | 1.00 | 12 | 30 | 105°C 221°F | B | 2" | YES |
| P383LE41 | 4/10 | 115 | 1 | 1.00 | 12 | 22.5 | 105°C 221°F | B | 3" | YES |
| P383LE51 | 1/2 | 115 | 1 | 1.00 | 12 | 22.5 | 105°C 221°F | B | 3" | YES |
| P383LE52 | 1/2 | 208-230 | 1 | 1.00 | 6.8 | 12 | 105°C 221°F | B | 3" | YES |
| P383LE71 | 3/4 | 115 | 1 | 1.00 | 12 | 28 | 105°C 221°F | B | 3" | YES |
| P383LE72 | 3/4 | 208-230 | 1 | 1.00 | 6 | 13 | 105°C 221°F | B | 3" | YES |
| P383LE102 | 1 | 208-230 | 1 | 1.00 | 8 | 21 | 105°C 221°F | B | 3" | YES |
| P383LEH102 | 1 | 208-230 | 1 | 1.00 | 12 | 30 | 105°C 221°F | B | 3" | YES |

P380-Series Technical Data

| | |
|----------------------|---------------------------------------|
| TANK | POLYETHYLENE |
| COVER | POLYPROPYLENE |
| GUIDE RAIL | NONE – PUMPS PULL OUT WITH COVER |
| INLET HUB | INCORPORATED INTO TANK |
| DISCHARGE PIPING | SCHEDULE 80 PVC |
| CONTROLS | PIGGY BACK FLOATS |
| IMPELLER | SEE INDIVIDUAL PUMP MODELS SPEC SHEET |
| SOLIDS HANDLING SIZE | SEE INDIVIDUAL PUMP MODELS SPEC SHEET |
| PAINT | SEE INDIVIDUAL PUMP MODELS SPEC SHEET |
| MAX LIQUID TEMP | SEE INDIVIDUAL PUMP MODELS SPEC SHEET |
| MAX STATOR TEMP | SEE INDIVIDUAL PUMP MODELS SPEC SHEET |
| THERMAL OVERLOAD | SEE INDIVIDUAL PUMP MODELS SPEC SHEET |
| POWER CORD TYPE | SEE INDIVIDUAL PUMP MODELS SPEC SHEET |
| MOTOR HOUSING | SEE INDIVIDUAL PUMP MODELS SPEC SHEET |
| VOLUTE | SEE INDIVIDUAL PUMP MODELS SPEC SHEET |
| SHAFT | SEE INDIVIDUAL PUMP MODELS SPEC SHEET |
| HARDWARE | SEE INDIVIDUAL PUMP MODELS SPEC SHEET |
| ORINGS | SEE INDIVIDUAL PUMP MODELS SPEC SHEET |
| MECHANICAL SEAL | SEE INDIVIDUAL PUMP MODELS SPEC SHEET |
| MIN BEARING LIFE | SEE INDIVIDUAL PUMP MODELS SPEC SHEET |

P380-Series Specifications

See individual pump specification for more details on the pumps.

WARRANTY

Standard limited warranty shall be 3 years.