

FLOMAX 10

2" x 2" SELF PRIMING CENTRIFUGAL PUMP

FLOMAX 10 self-priming centrifugal pump is designed to fit standard NEMA "C" frame motors with standard armature shafts. The PUMPAK is completely assembled and can be mounted to a standard motor in minutes.

FLOMAX 10 is made in bronze, aluminum, or cast iron construction to suit a wide variety of liquids. All fasteners are stainless steel to reduce corrosion. Impellers are balanced and trimmed to insure non-overloading conditions. Standard stainless steel and Viton mechanical seal is self-adjusting and corrosion resistant to handle many different liquids. Special seals, optional EPDM gaskets and check valves are also available. Pump assemblies are offered with open drip-proof, TEFC, and explosion-proof NEMA design motors, or as PUMPAKS only to fit customer's standard motors.

PUMP SPECIFICATIONS

Suction & Discharge	2" x 2"
Housing	Cast Iron, bronze or aluminum
Impeller	Cast Iron, bronze or aluminum
Shaft Sleeve	Stainless steel to fit 1 1/2" shaft
Fasteners	Stainless Steel
Seals	Standard Viton, Special seal material combinations available. (Consult the factory).

Close-Coupled to

Electric Motor

or

PUMPAK Only to Mount

to Standard NEMA "C"

Face Motor

5 HP • 7.5 HP

UP TO 210 GPM
UP TO 130 FEET HEAD

Available in:

**BRONZE ALUMINUM
CAST IRON**

• WITH OR WITHOUT
ELECTRIC MOTOR



MP PUMPS, INC.

34800 BENNETT • FRASER, MI 48026-1686
(586) 293-8240 • FAX (586) 293-8469
(800) 563-8006 • www.mppumps.com

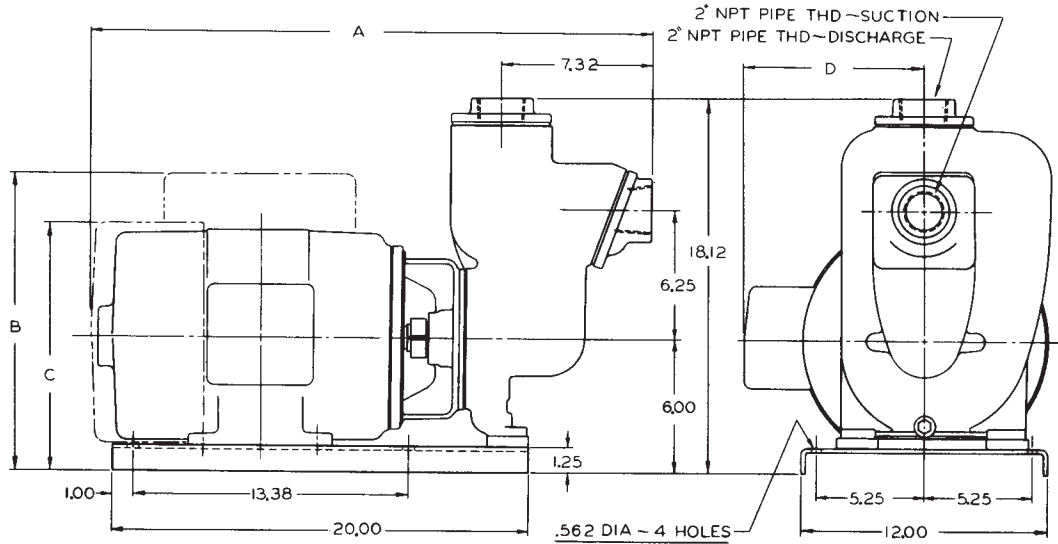
FLOMAX 10

2" x 2"

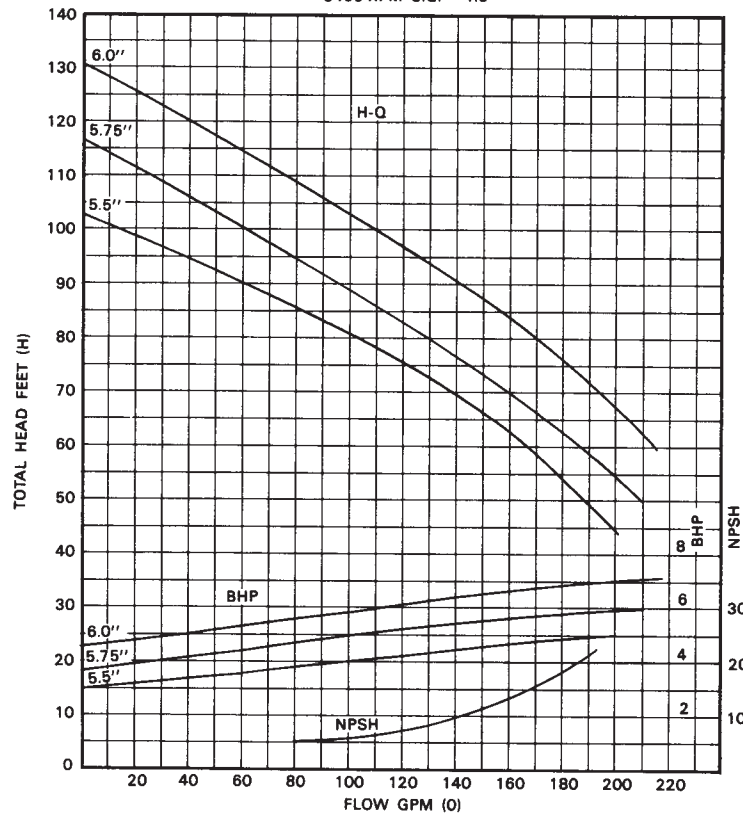
SELF-PRIMING CENTRIFUGAL ELECTRIC MOTOR DRIVE

FLOMAX 10

FRAME	MOTOR			DIMENSION			
	HP	PH	ENCL	A	B	C	D
184 TC	5	3	TEFC	26.52		9.70	5.88
184 TC	7.5	3	TEFC	28.02		9.70	5.88
213 C	5	3	TEFC	26.52		11.32	7.38
213 C	5	3	ODP	24.90		11.32	7.38
213 C	5	1	TEFC	28.14	14.08	11.32	7.38
215 C	7.5	3	TEFC	28.14		11.32	7.38



FLOMAX 10
2 x 2 SELF-PRIMING PUMP
3450 RPM S.G. = 1.0



MP PUMPS, INC.

34800 BENNETT • FRASER, MI 48026-1686
 (586) 293-8240 • FAX (586) 293-8469
 (800) 563-8006 • www.mppumps.com