

FLOMAX[®] 8

2" X 2" SELF- PRIMING CENTRIFUGAL PUMP

FLOMAX 8 self-priming centrifugal pumps are capable of creating vacuum sufficient to lift liquids from heights up to 25' above the source. Once primed the pumps built-in flapper valve will maintain a full column of liquid in the suction line.

A FLOMAX PUMPAK is a fully assembled and run tested pump end that can be easily coupled to a number of drivers such as hydraulic motors, 56C and 145TC frame motors. A bearing pedestal is also available for T-frame motor or belt drive.

Standard features include SS drive sleeve, SS fasteners, renewable wearplate, and semi-open, dynamically balanced impeller. Options include double grease-lubricated seals, SS impeller and seals for all type of abrasive and/or corrosive services.

Close-Coupled to
Electric Motor
or PUMPAK Only to Mount
to Standard NEMA "C"
Face Motor

1.5HP • 2HP • 3HP

UP TO 100 GPM
UP TO 40 PSI

PUMP SPECIFICATIONS

Suction and Discharge ..	2" x 2"
Housing	Cast Iron, bronze or aluminum
Impeller	Cast Iron, bronze or aluminum with stainless steel also available
Shaft Sleeve	Stainless Steel to fit either
Fasteners	Stainless Steel
Seals	Standard Viton. Special seal material combinations available (consult factory).

AVAILABLE IN:

BRONZE

ALUMINUM

CAST IRON

• WITH OR WITHOUT
ELECTRIC MOTOR



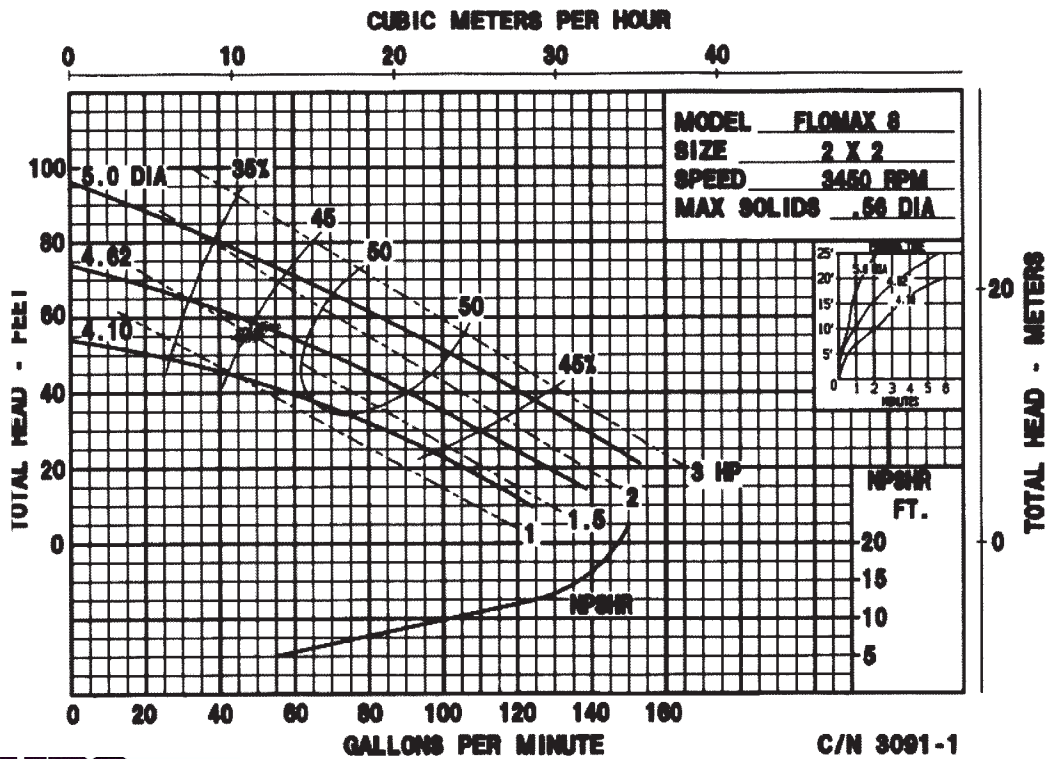
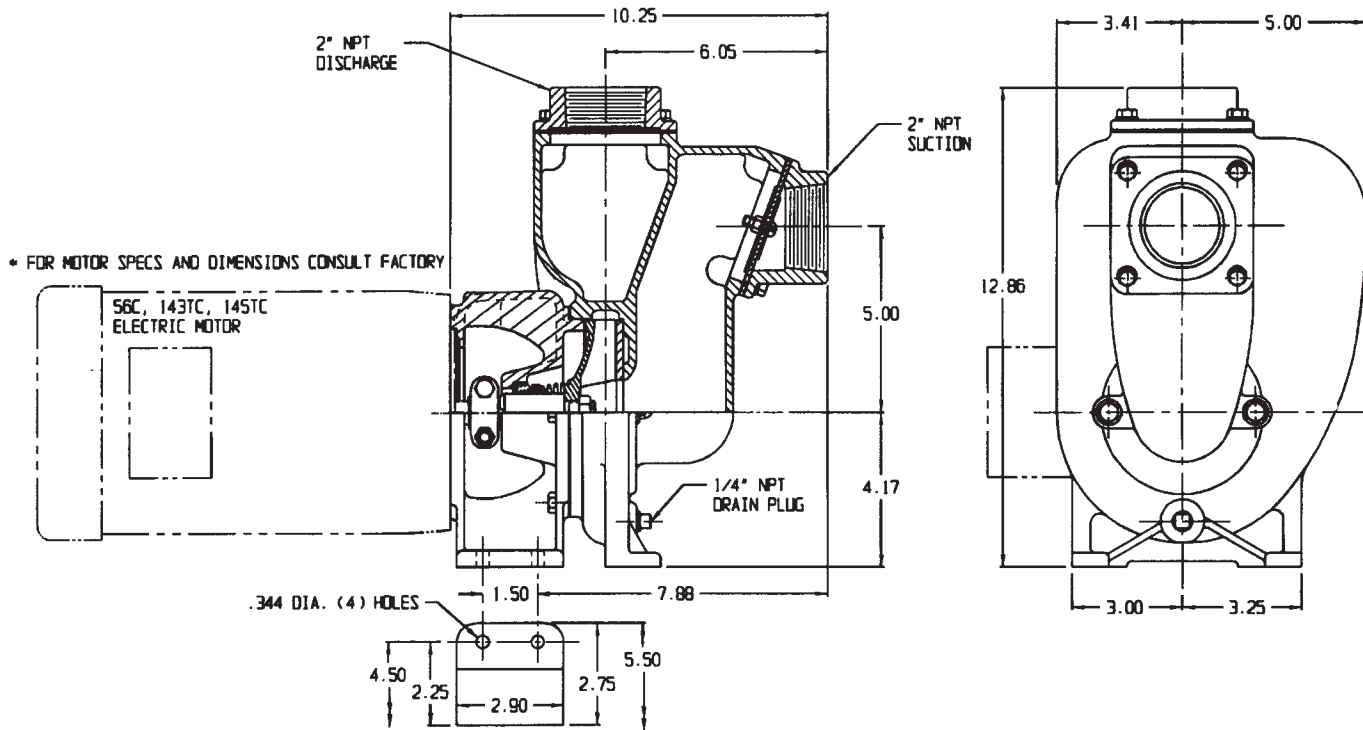
34800 BENNETT • FRASER, MI 48026-1686
(586) 293-8240 • FAX (586) 293-8469
(800) 563-8006 • www.mppumps.com

Form 8024D (4-04)

FLOMAX 8

2" X 2"

SELF-PRIMING CENTRIFUGAL ELECTRIC MOTOR DRIVE



MP PUMPS, INC.

34800 BENNETT • FRASER, MI 48026-1686
 (586) 293-8240 • FAX (586) 293-8469
 (800) 563-8006 • www.mppumps.com