

# MP PUMPS, INC.

## HHLF "HR" HIGH HEAD

### Self-Priming Centrifugal Pump

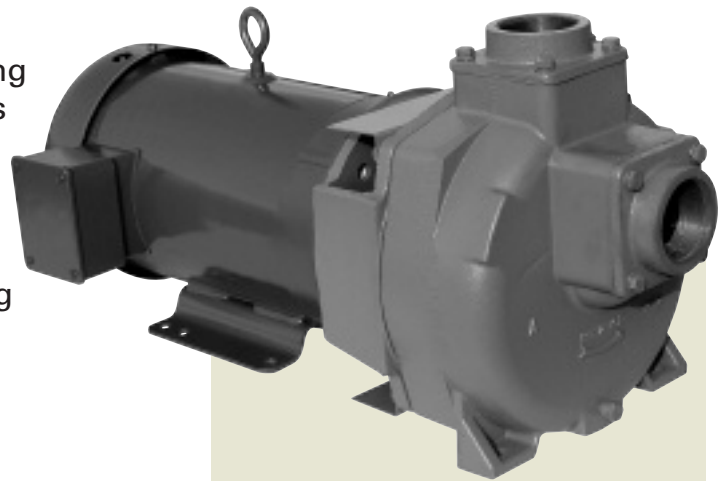


HHLF "HR" high pressure self-priming pumps meet USCG specifications for auxiliary fire control.

The high suction centerline and impeller design eliminates premature priming loss while ensuring consistent priming capability. The HHLF pump is capable of achieving up to 25 feet suction lift.

The HHLF series is available close coupled to NEMA "C" Face electric motors or as *pumpaks*. The engine drive models are capable of coupling to both gasoline and diesel engines with 1" keyed drive shafts. Pedestal mounted pumps are also available.

The volute and impeller are removable and easily replaced.



### SPECIFICATIONS:

<b>Suction and Discharge</b> . . . 1 1/2" x 1 1/2" NPT 2" x 2" NPT
<b>Housing</b> . . . . . Cast Iron Class 30 or Silicon Bronze CA 875
<b>Volute</b> . . . . . Cast Iron Class 30 or Silicon Bronze CA 875
<b>Impeller</b> . . . . . Cast Iron Class 30 or Silicon Bronze CA 875
<b>Adaptor</b> . . . . . Cast Iron Class 30 or Silicon Bronze CA 875
<b>Drive Sleeve</b> . . . . . 304 Stainless Steel
<b>Seal, Type 21</b> . . . . . Carbon/Ceramic/Viton Optional Seals Available
<b>Fasteners</b> . . . . . Stainless Steel

### MOUNTING OPTIONS:

- Close Cpld to 182/184TC Motor Frame
- Pumpak
- Engine Drive
- Pedestal
- Hydraulic Drive

### FLOWS TO 140 GPM

### PRESSURES TO 190 TDH

### APPLICATION:

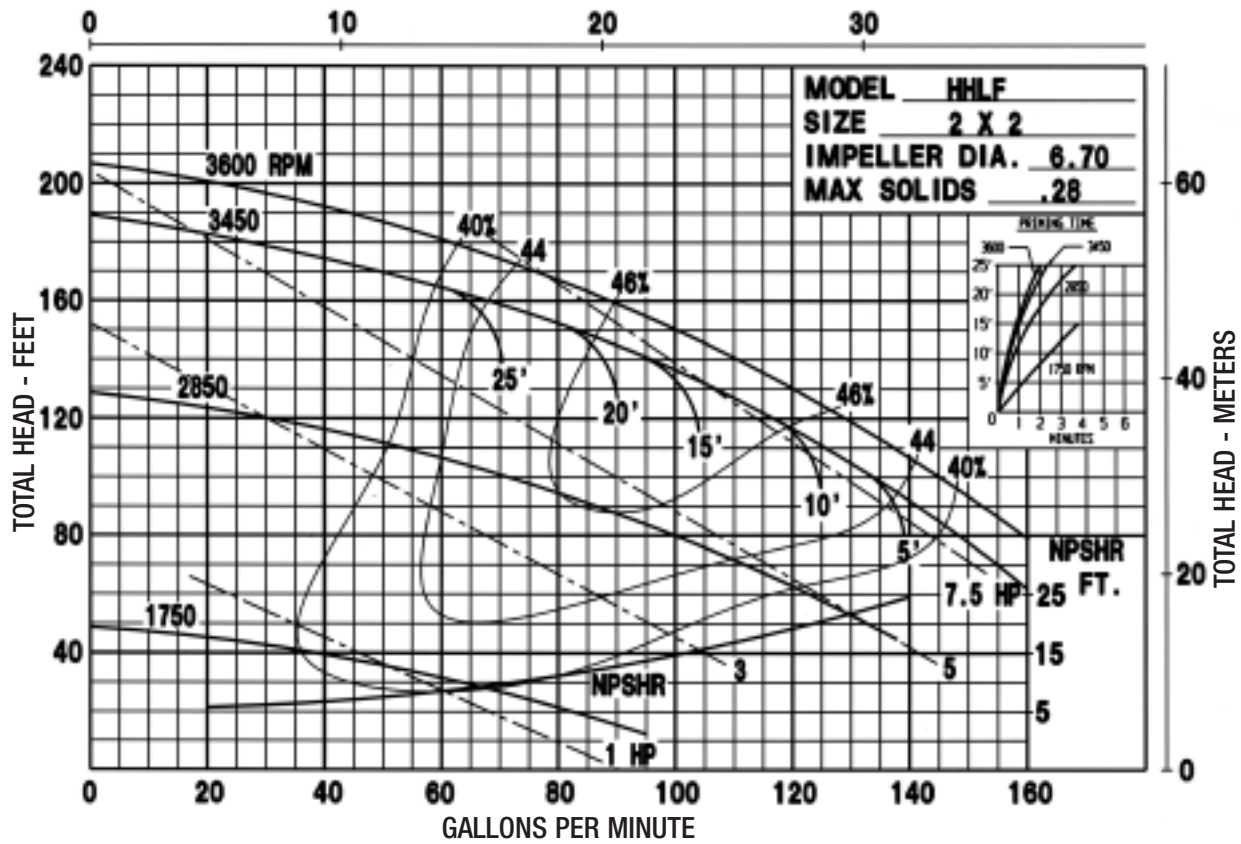
- Marine
- Agricultural
- Industrial

### ABS TYPE APPROVED

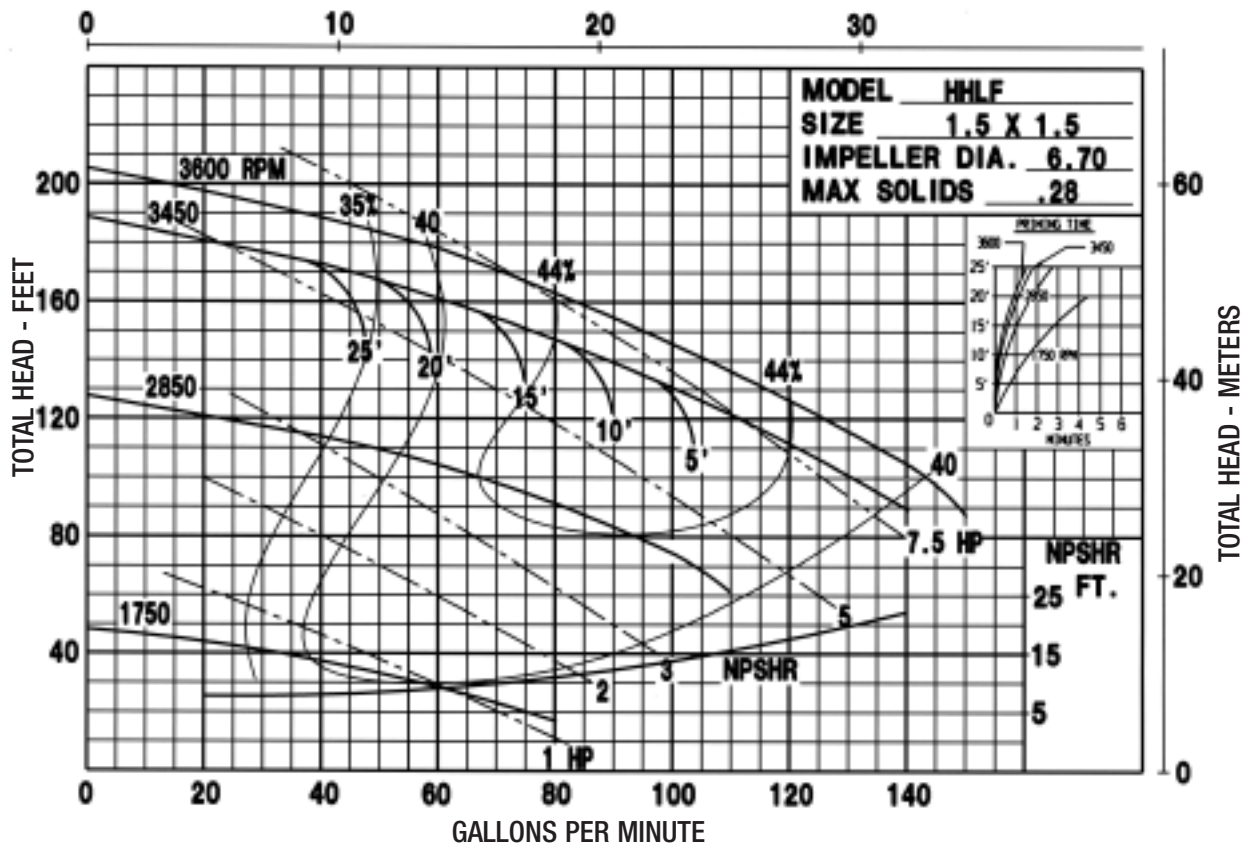
### 46 CFR COMPLIANT

# HHLF

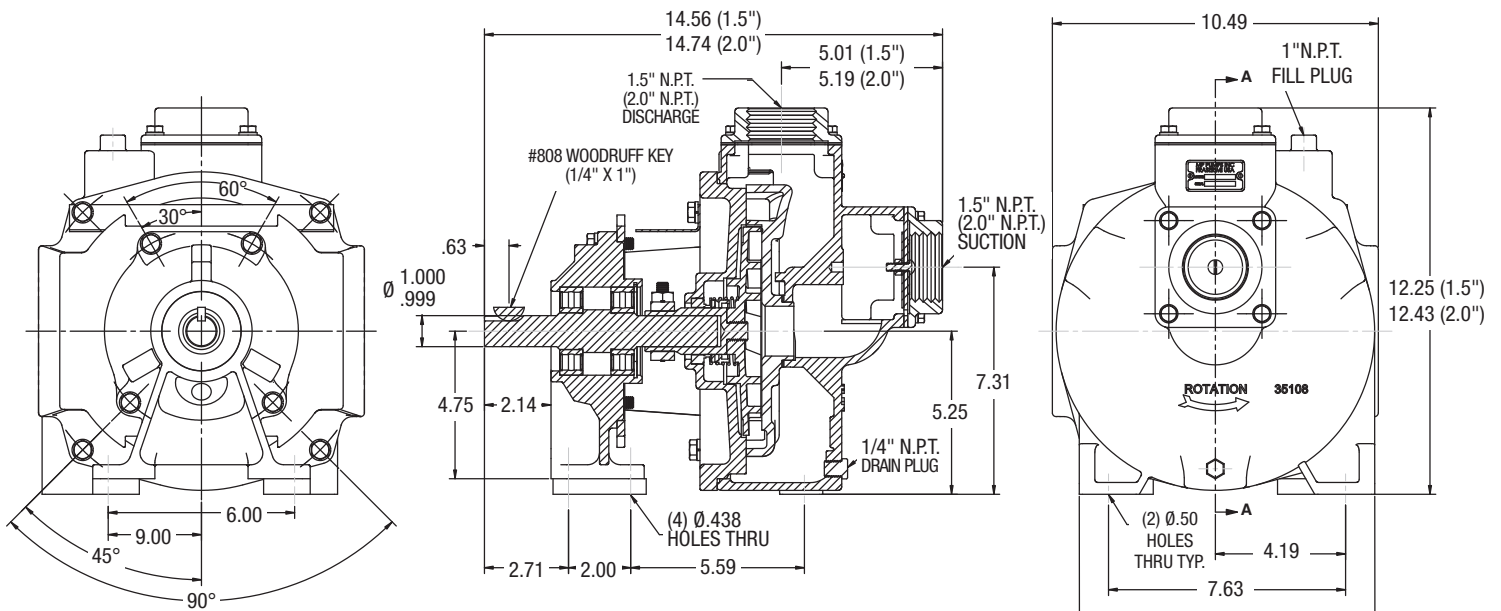
CUBIC METERS PER HOUR



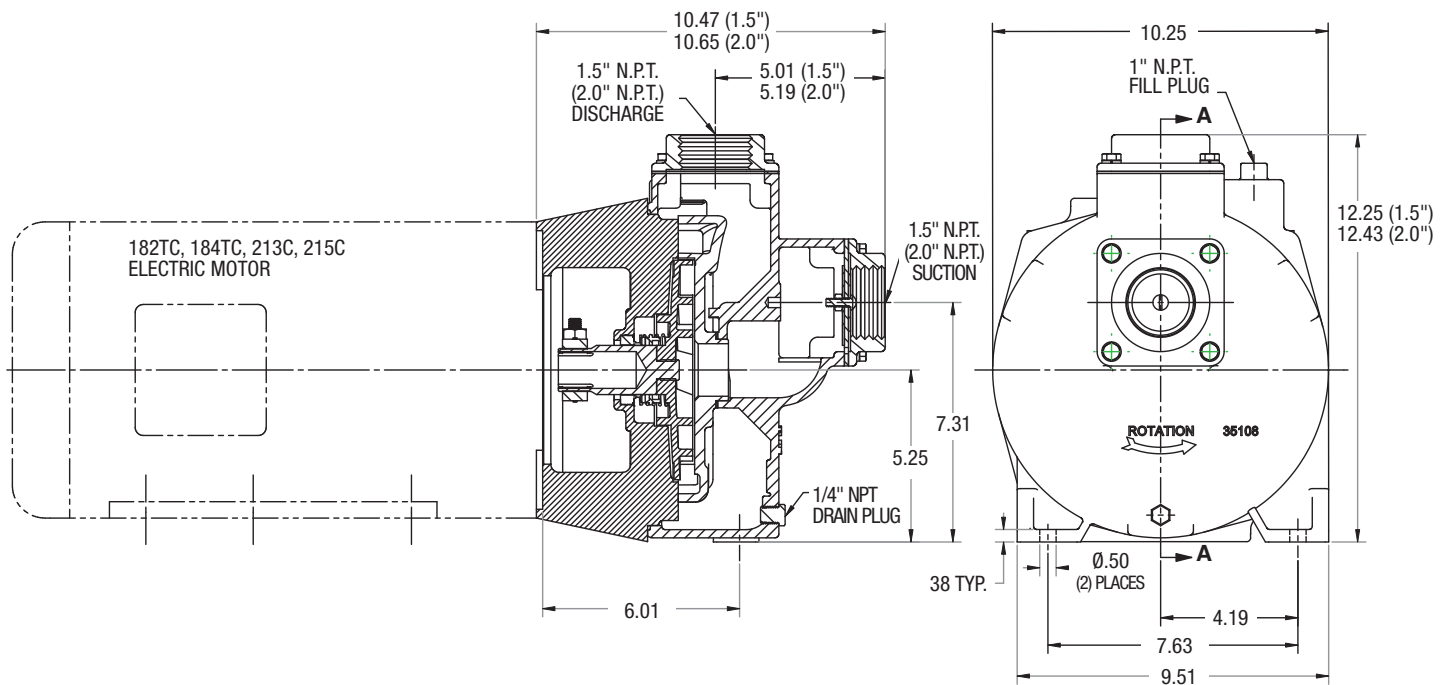
CUBIC METERS PER HOUR



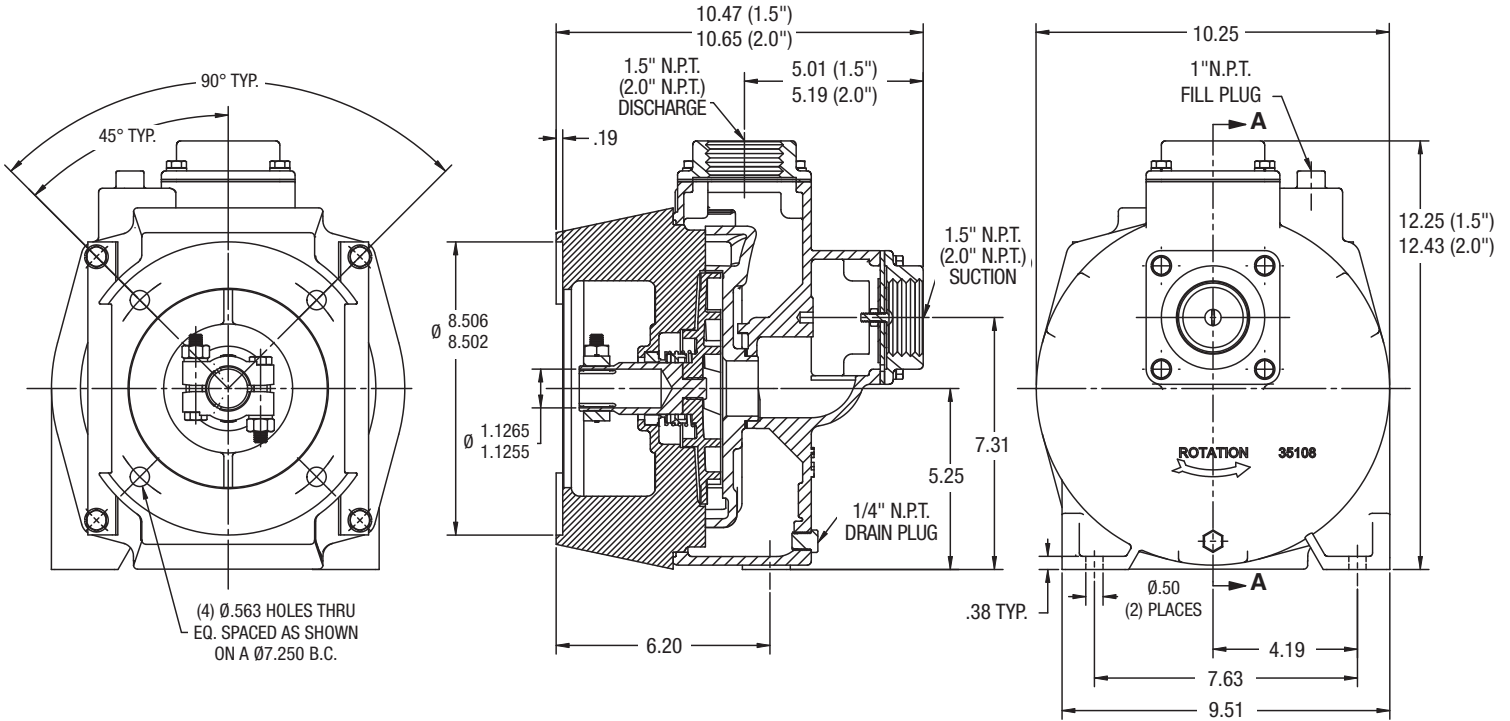
## HHLF 1.5" (2.0") PEDESTAL PUMP



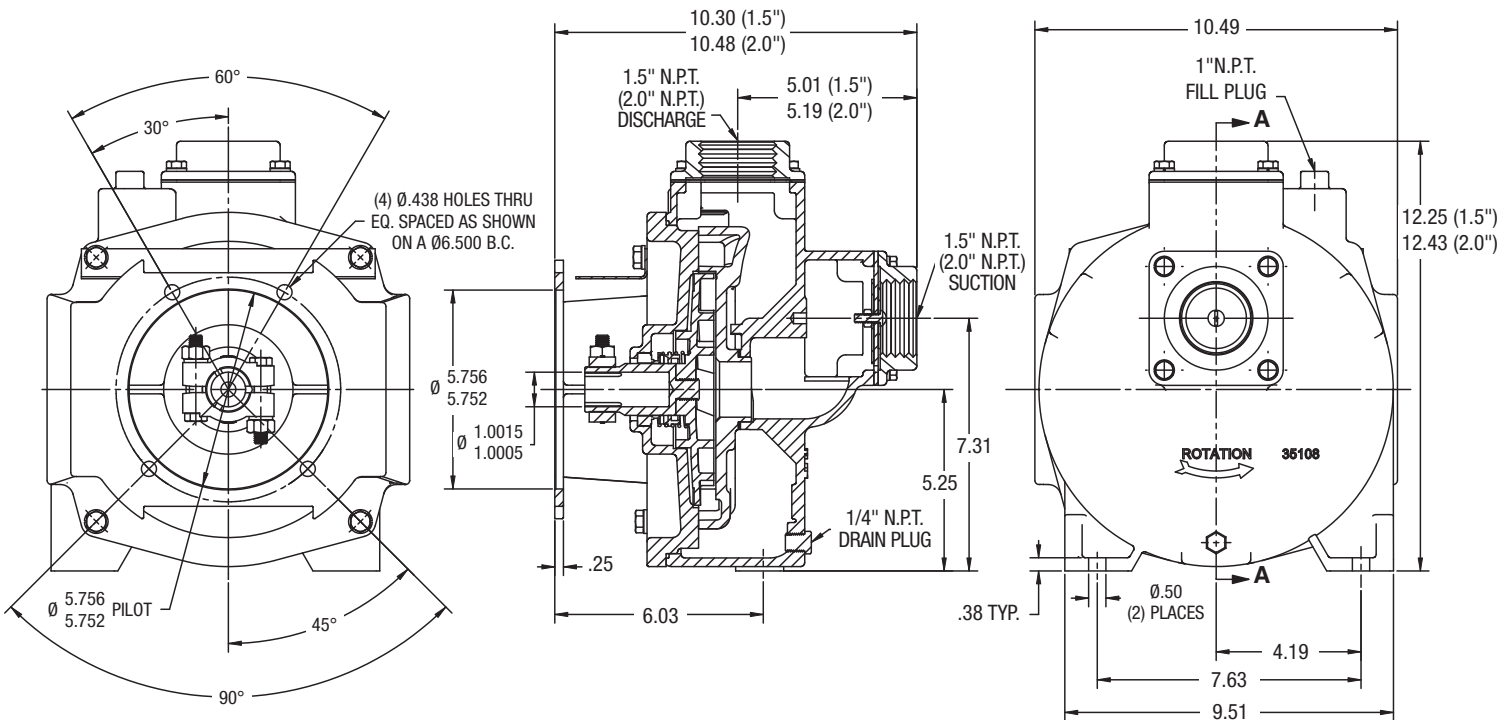
## HHLF 1.5" (2.0") CLOSE COUPLED ELECTRIC MOTOR



## HHLF 1.5" (2.0") CLOSE COUPLED MTR PUMPAK



## HHLF 1.5" (2.0") ENGINE MOUNT PUMPAK



34800 BENNETT • FRASER, MI 48026-1686  
 (586) 293-8240 • FAX (586) 293-8469  
 (800) 563-8006 • www.mppumps.com