

BRONZE CLOSE COUPLED CENTRIFUGAL PUMP

PIPE SIZE: INLET 3/4", OUTLET 1/2"



104M-06F26 Pictured

FEATURES

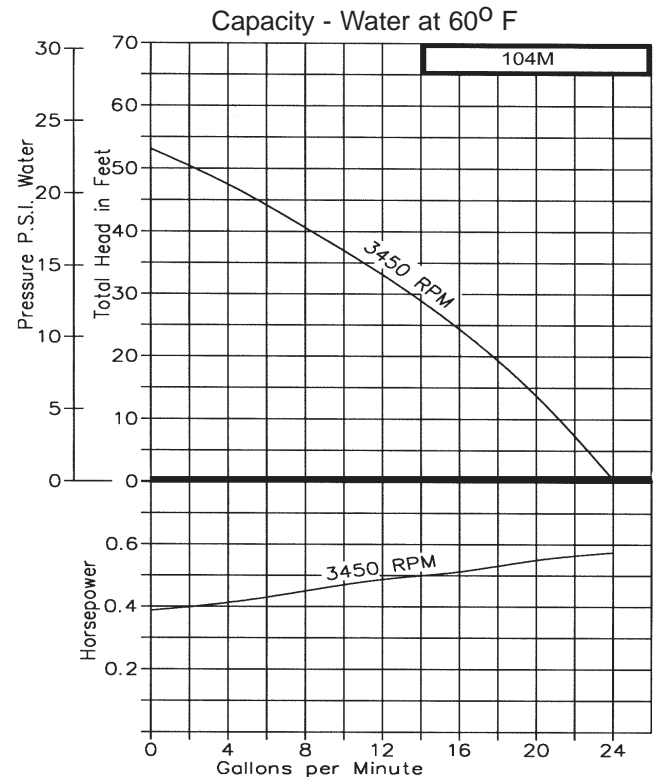
- Rugged bronze construction
- A standard in the marine air conditioning industry
- Extremely quiet operation
- O-ring housing seal eliminates gasket problems
- Teflon barrier seal to protect motor bearings
- Handles contaminated liquids
- Discharge port orientation flexibility - 8 positions
- Mechanical seal - carbon/ceramic
 - Buna - standard
 - Viton (S10) optional
 - Teflon (S11) optional
- Pump heads mount to standard footed NEMA 56J jet pump motors
- Shafts: 416 Stainless, Monel or 316 Passivated Stainless
- Multiple motor options available
- For industrial version - see Model 600 series

LIQUIDS

The special pump alloys used provide corrosion resistance to many liquids including water, water solutions, and a wide range of commercial chemicals. Questions as to the chemical compatibility of special liquids should be referred to the factory.

Viscous liquids with a maximum viscosity of 2000 Saybolt Seconds Universal can be pumped. However, when pumping viscous liquids as compared with water, a reduction in flow and pressure occurs and the required horsepower rate increases.

Liquids heavier than water require additional horsepower in direct proportion to the increase in specific gravity. Liquids contaminated with small solids or abrasives can be handled, but a reduction in mechanical seal life must be expected.



CHARACTERISTICS

This close-coupled pump uses a standard NEMA C-Flange Jet Pump Motor with weld-on base and threaded shaft end to accept the pump impeller. Single phase motors are non-reversible and are wired for the proper pump rotation which is counter-clockwise looking at inlet end of pump. See the dimensional drawing on back. Three phase motors must be checked out for proper rotation when pump is installed. Interchanging of any 2 wires in a 3-phase system will reverse motor rotation.

The pump uses a mechanical type shaft seal with a Buna rubber element. It is suitable for water, oils, and some mild solvents and it is limited to 212° F. Viton® seals and Teflon® seals are available for severe solvents, difficult chemicals, and elevated temperatures.

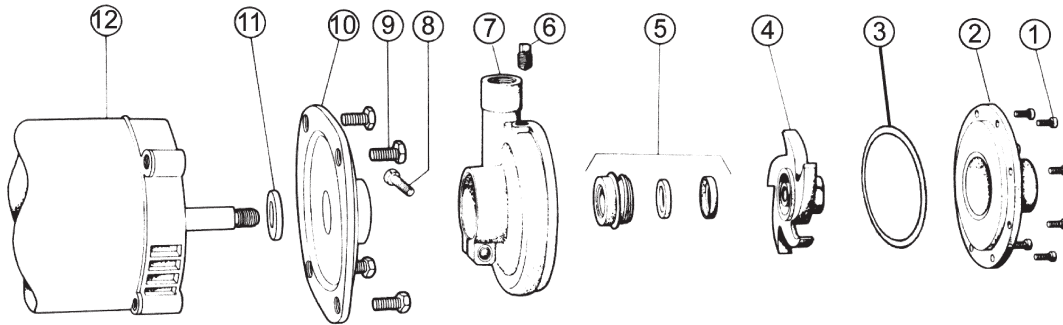
These centrifugal pumps are not self-priming. They must be installed below the liquid level so that the liquid flows to the pump by gravity (flooded suction). However, if a foot valve is used at the beginning of the suction line, and all air is bled from the pump by manual priming, the pump will lift on the suction side up to 15 feet. Such a system relies entirely on the non-leaking foot valve for starting capability.

The flow of a centrifugal pump can be conveniently controlled by a throttling valve in the discharge line without the need for a relief valve. In centrifugal pumps, the horsepower demand will decrease as the pressure increases. Maximum horsepower occurs with a wide open discharge.

* Viton® is a registered trademark of DuPont Dow Elastomers. Viton® or equivalent FKM will be used.
Teflon® is a registered trademark of DuPont. Teflon® or equivalent PTFE will be used.

BRONZE CLOSE COUPLED CENTRIFUGAL PUMP

EXPLODED VIEW AND PARTS LIST



| Pump No. | 1 | 2 | 31 | 41 | 51 | 6 | 7 | 8 | 9 | 10 | 111 | 12 | 131* | Repair Kit |
|----------|---------|---------|----------|----------|------------|---------|---------|---------|---------|---------|----------|---------|-----------|----------------------|
| | Screw | Cover | O-Ring | Impeller | Seal Assy. | Plug | Body | Screw | Screw | Adapter | Lip Seal | Motor | Set Screw | |
| | 8 Req'd | 1 Req'd | 1 Req'd | 1 Req'd | 1 Req'd | 2 Req'd | 1 Req'd | 1 Req'd | 4 Req'd | 1 Req'd | 1 Req'd | 1 Req'd | 1 Req'd | 1 Req'd |
| 104M | 5385 | 5168 | 9797-042 | 6033 | 32155 | 7687 | 7515 | 5595 | 5411 | 6699 | 6683 | --- | --- | 10720 (Single Phase) |
| 104M-06 | 5385 | 5168 | 9797-042 | 6033 | 32155 | 7687 | 9738 | 5595 | 5411 | 6699 | 6683 | --- | --- | 10720 (Single Phase) |
| 104MP | 5385 | 5168 | 9797-042 | 7432 | 32155 | 5395 | 7515 | 5595 | 5411 | 6699 | 6683 | --- | 9849 | 12173 (Three Phase) |

1 Repair kit contains items 3, 4, 5, 11 & 13.

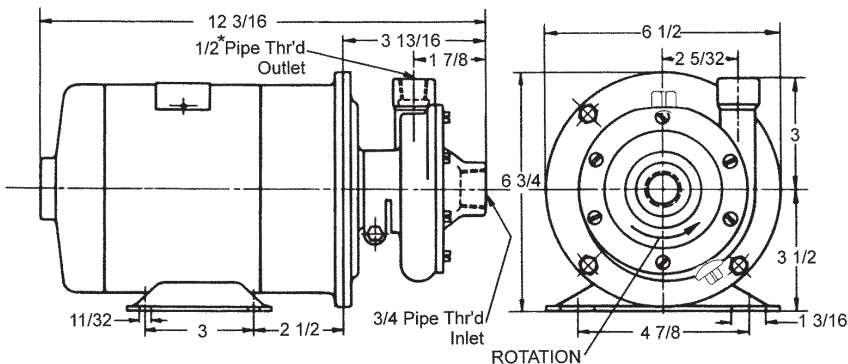
* Not shown - Impeller set screw for Three Phase motors only.

PUMP & MOTOR OPTIONS

Note: These are the most frequently used pump and motor combinations. If you have other needs, our sales reps can recommend a pump and motor for your application.

| Pump No. | HP | SF | Enclosure | Phase | Voltage | Shaft Construction | Motor Item 12 |
|-------------|-----|------|-----------|--------|---------------|--------------------|---------------|
| 104M-F13 | 1/3 | 1.75 | ODP | single | 115 | 416 | 5859 |
| 104M-06F13 | 1/3 | 1.75 | ODP | single | 115 | 416 | 5859 |
| 104M-01F26 | 1/3 | 1.75 | ODP | single | 115 / 230 | monel | 32273 |
| 104M-06F26 | 1/3 | 1.75 | ODP | single | 115 / 230 | monel | 32273 |
| 104M-F17 | 1/3 | 1.75 | ODP | single | 115 / 230 | 316 passivated | 3032 |
| 104M-06F17 | 1/3 | 1.75 | ODP | single | 115 / 230 | 316 passivated | 3032 |
| 104M-F21 | 1/3 | 1.75 | XP | single | 115 / 230 | 416 | 8214 |
| 104MP01-F65 | 1/3 | 1.75 | ODP | three | 208 230 / 460 | monel | 32355 |
| 104MP-F57 | 1/3 | 1.75 | ODP | three | 208 230 / 460 | 416 | 6996 |
| 104M-J19 | 1/2 | 1.65 | ODP | single | 115 / 230 | 416 | 5860 |
| 104M-J20 | 1/2 | 1.65 | TEFC | single | 115 / 230 | 416 | 7976 |
| 104MP01-J58 | 1/2 | 1.00 | TEFC | three | 208 230 / 460 | monel | 33035 |
| 104MP-J57 | 1/2 | 1.60 | ODP | three | 230 / 460 | 416 | 6998 |
| 104M-01J26 | 1/2 | 1.65 | ODP | single | 115 / 230 | monel | 32332 |
| 104M-J24 | 1/2 | 1.65 | ODP | single | 115 / 230 | 316 passivated | 3031 |
| 104M-J89 | 1/2 | 1.00 | TENV | DC | 12V | 416 | 2386 |
| 104MP-M58 | 3/4 | 1.15 | TEFC | three | 230 / 460 | 416 | 7967 |

DIMENSIONS *3/4" External Thread also available (104M-06)



NUMBERING

