

PLURIJET

self-priming multi-stage pumps

New self-priming pumps, quiet running, reliable, high efficiency, patented.



RANGE OF PERFORMANCE

Capacity up to 52 gpm
Head up to 394 ft

LIMITS OF USE

Manometric suction lift up to 29 ft
Liquid temperature up to + 104°F
Environment temperature up to + 104°F

CONSTRUCTION AND SAFETY STANDARDS

EN 60 335-1 EN 60034-1
IEC 335-1 IEC 34-1
CEI 61-150 CEI 2-3



INSTALLATION AND USE

They are recommended for clean water and liquids that are chemically non aggressive to the materials from which the pump is made.

PLURIJET SELF-PRIMING PUMPS ARE DESIGNED FOR LIFTING WATER, EVEN IN AIR PRESENCE. THEIR QUIET RUNNING, RELIABILITY AND LOW POWER CONSUMPTION MAKES THEM PARTICULARLY SUITABLE FOR DOMESTIC AND CIVIL USE, INCLUDING PRESSURISATION AND DISTRIBUTION OF WATER, IRRIGATION AND RAINWATER RECOVERY SYSTEMS.

It is recommended to install the pumps in enclosed places, or at least protected against inclement weather.

GUARANTEE 2 YEAR subject to our general terms of sale.

CONSTRUCTION CHARACTERISTICS

PUMP BODY: cast iron and stainless steel AISI 304 (cast iron up to 0.7 HP), with threaded ports.

IMPELLER: technopolymer (approved for drinking water).

MOTOR SHAFT: stainless steel EN 10088-3 - 1.4104

MECHANICAL SEAL: ceramic - graphite - NBR.

ELECTRIC MOTOR: the pumps are close-coupled to a carefully matched PEDROLLO electric motor, quiet running, totally enclosed fan cooled (TEFC), suitable for continuous duty.

PLURIJET: single-phase 115 V or 230 V - 60 Hz with capacitor and thermal overload protector.

PLURIJET: three-phase 230/460 V - 60 Hz.

INSULATION: class F. • **PROTECTION:** IP 44.

REGISTERED MODEL

OPTIONS ON REQUEST

other voltages or frequency 50 Hz

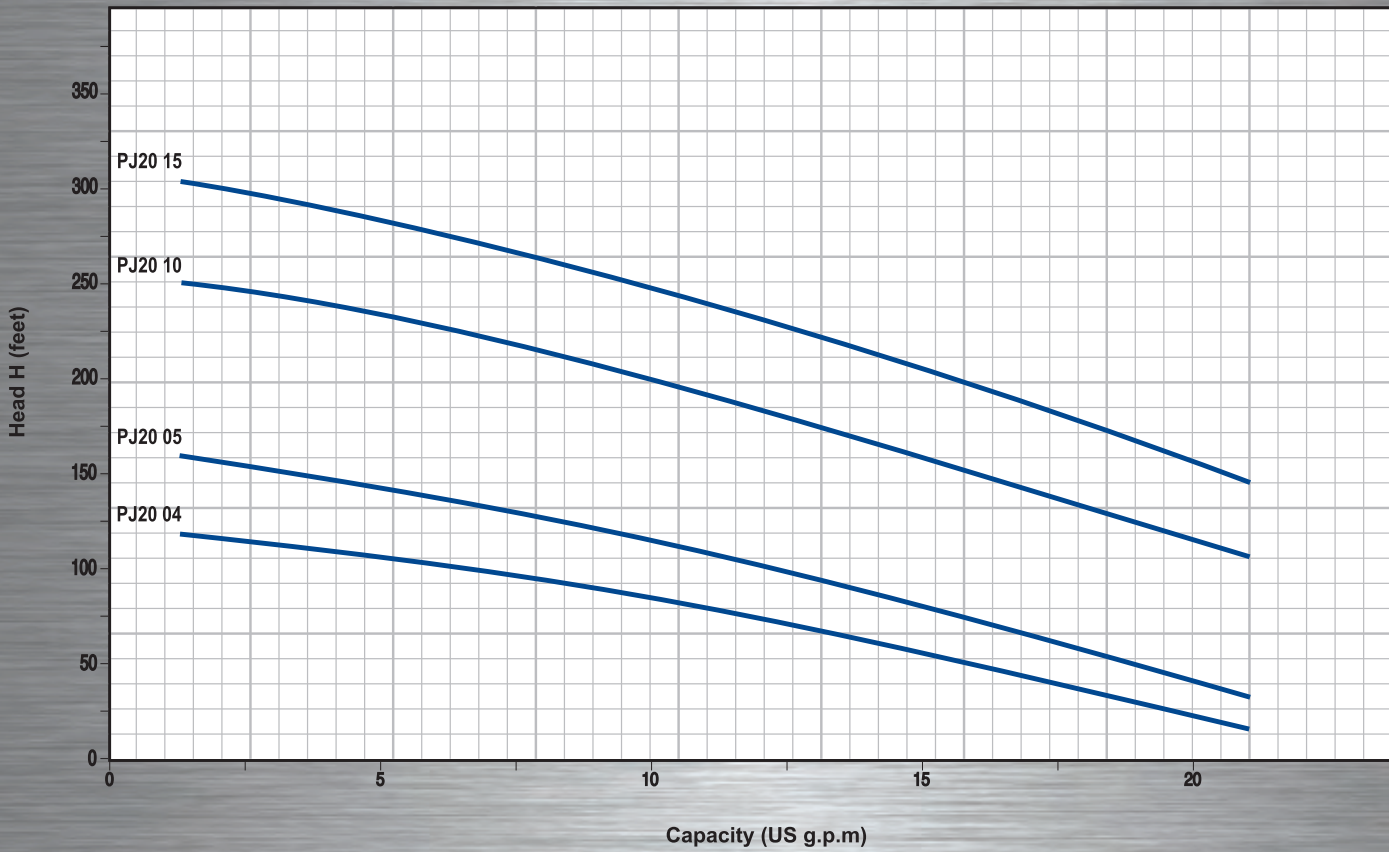


tech.support (954) 474 9090

www.pedrollousa.com

customerservice@pedrollousa.com

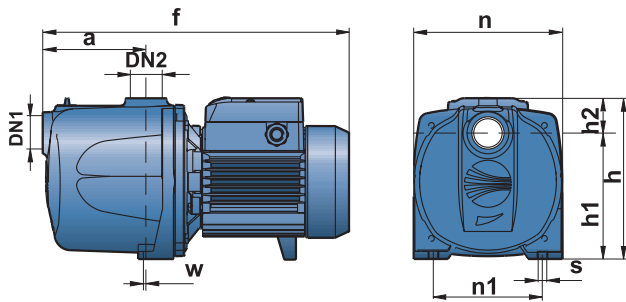
CURVES AND PERFORMANCE DATA



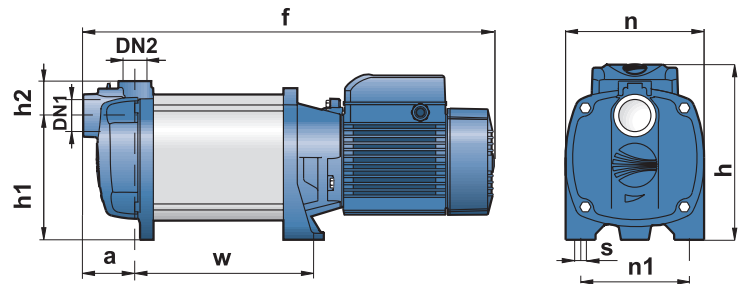
MODEL		HP	CAPACITY GPM	H Feet									
1 PH	3 PH			0	1	2	5	7	10	13	15	18	21
PJ20 04	PJ20 04	0.4	H Feet	125	118	113	105	95	82	66	51	34	16
PJ20 05	PJ20 05	0.5		164	158	153	141	126	110	92	74	54	33
PJ20 10	PJ20 10	1.0		250	250	241	230	215	299	177	154	133	108
PJ20 15	PJ20 15	1.5		306	306	297	283	266	245	220	195	171	141

DIMENSIONS AND WEIGHTS

PJ20 04 - 05

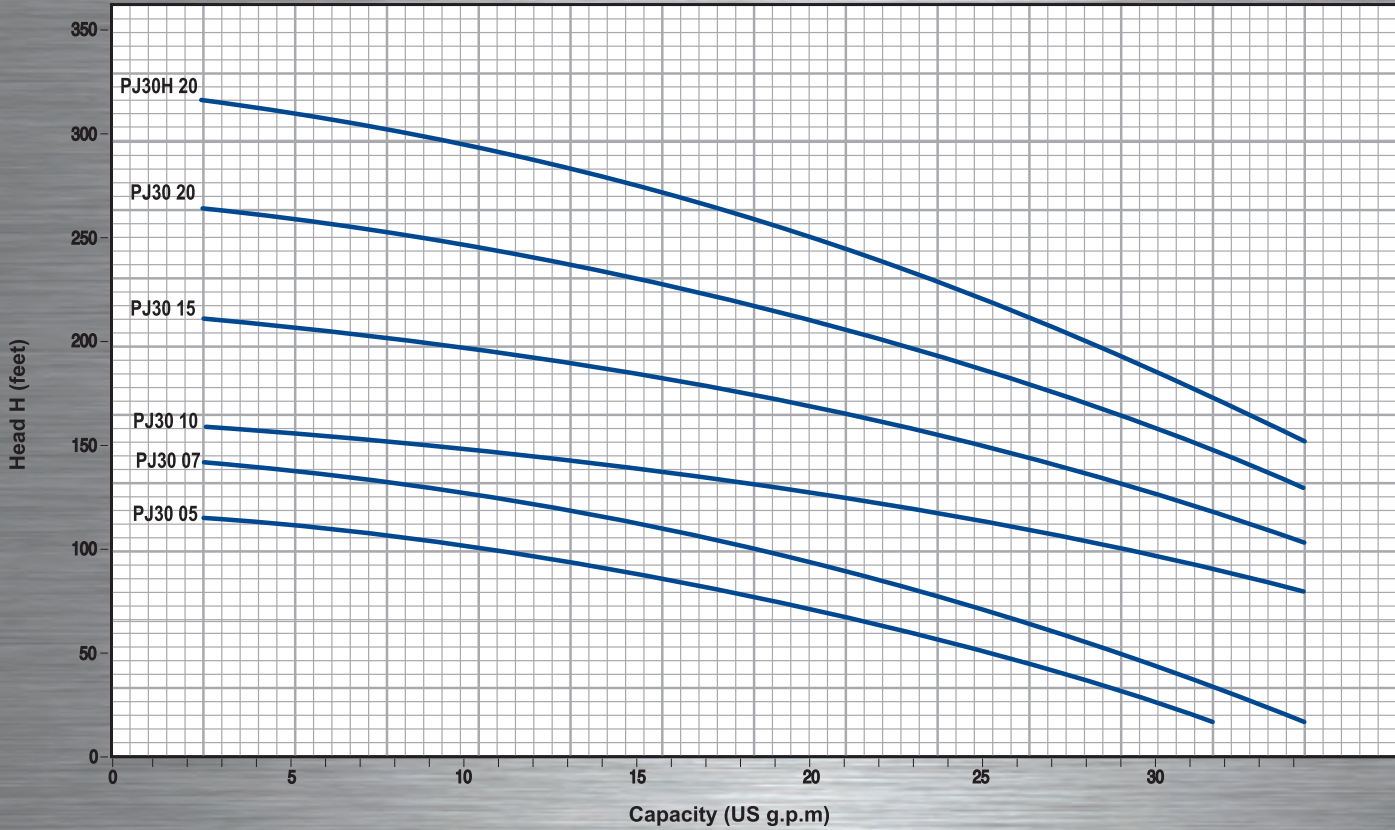


PJ20 10 - 15



MODEL		DISCH		N° Stages	DIMENSIONS INCHES									LBS	
1 PH	3PH	DN1	DN2		a	f	h	h1	h2	n	n1	w	s	1~	3~
PJ20 04	PJ20 04	1"	1"	3	4.3	13.1	6.8	5.3	1.5	6.2	4.6	0.1	0.4	20.7	19.6
PJ20 05	PJ20 05	1"		4	5.3	14.4/14.1	6.8	5.3	1.5	6.2	4.6	0.1		23.8	22.5
PJ20 10	PJ20 10	1 1/4"		5	2.7	25.0	9.1	6.0	1.8	7.3	5.7	12.0		56.3	51.9
PJ20 15	PJ20 15	1 1/4"		6	2.7	26.2	9.1	6.0	1.8	7.3	5.7	13.2		60.7	59.6

CURVES AND PERFORMANCE DATA

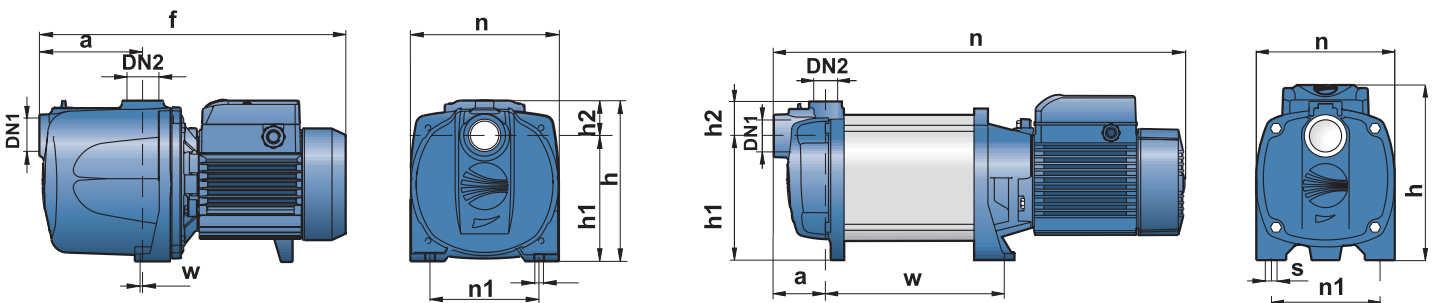


MODEL		HP	CAPACITY GPM	H Feet															
1 PH	3 PH			0	1.3	2.6	5.2	7.9	10.6	13	15	18	21	26	31	34			
PJ30 05	PJ30 05	0.5	H Feet	118	117	115	110	105	99	92	85	76	66	44	16				
PJ30 07	PJ30 07			151	148	141	138	131	125	117	108	99	87	62	33	16			
PJ30 10	PJ30 10			164	163	161	158	151	148	145	140	133	126	112	89	79			
PJ30 15	PJ30 15			214	214	210	207	204	197	191	184	174	164	141	115	102			
PJ30 20	PJ30 20			266	266	263	260	253	246	240	230	217	207	177	145	128			
	PJ30H 20			319	319	315	312	302	296	286	273	260	246	210	171	151			

DIMENSIONS AND WEIGHTS

PJ30 05 - 07

PJ30 10 - 15 - 20



MODEL		DISCH		N° Stages	DIMENSIONS INCHES										LBS	
1 PH	3PH	DN1	DN2		a	f	h	h1	h2	n	n1	w	s	1~	3~	
PJ30 05	PJ30 05	1"	1"	3	4.3	13.5/13.1	6.8	5.3	1.5	6.2	4.6	0.1	0.4	22.5	20.7	
PJ30 07	PJ30 07	1"		4	5.3	14.9	6.8	5.3	2.4	6.2	4.6	0.1		29.6	27.1	
PJ30 10	PJ30 10	1 1/4"		3	2.7	22.5	9.1	6.0	1.8	7.3	5.7	9.5		51.9	47.7	
PJ30 15	PJ30 15	1 1/4"		4	2.7	23.7	9.1	6.0	1.8	7.3	5.7	10.7		57.2	55.2	
PJ30 20	PJ30 20	1 1/4"		5	2.7	25.0	9.1	6.0	1.8	7.3	5.7	12.0		60.7	59.6	
	PJ30H 20	1 1/4"		6	2.7	26.2	9.1	6.0	1.8	7.3	5.7	13.2		64.0		

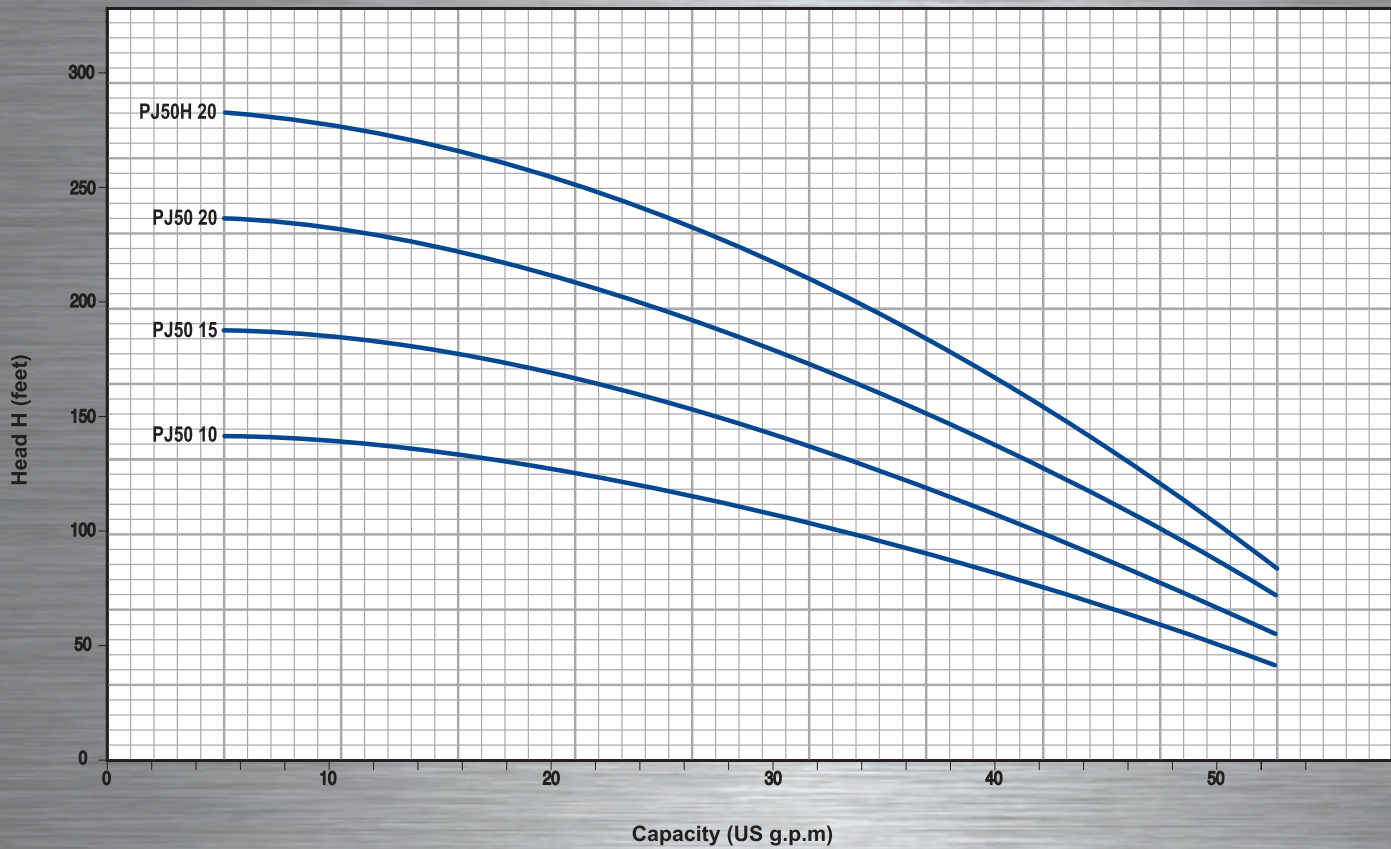


tech.support (954) 474 9090

www.pedrollousa.com

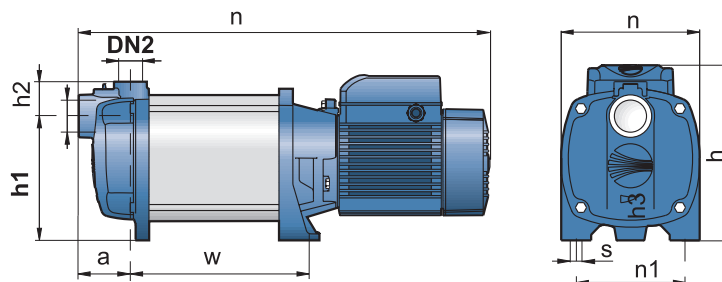
customerservice@pedrollousa.com

CURVES AND PERFORMANCE DATA



MODEL		HP	CAPACITY GPM	H Feet											
1 PH	3 PH			0	5	10	13	15	21	26	31	37	42	47	52
PJ50 10	PJ50 10	1		148	141	138	135	131	125	115	105	92	76	59	43
PJ50 15	PJ50 15	1.5		191	187	181	177	174	161	148	131	115	99	79	56
	PJ50 20	2		240	233	227	223	217	204	184	168	145	125	99	72
	PJ50H 20	2		286	279	269	263	256	240	220	197	174	148	118	85

DIMENSIONS AND WEIGHTS



MODEL		DISCH		N° Stages	DIMENSIONS INCHES										LBS	
1 PH	3PH	DN1	DN2		a	f	h	h1	h2	n	n1	w	s	1~	3~	
PJ50 10	PJ50 10	1 1/4"	1"	3	2.7	22.5	9.1	6.0	1.8	7.3	5.7	9.5	0.4	51.9	47.7	
PJ50 15	PJ50 15	1 1/4"		4		23.7						10.7		57.2	55.2	
	PJ50 20	1 1/4"		5		25.0						12.0		59.6		
	PJ50H 20	1 1/4"		6		26.2						13.2		64.0		