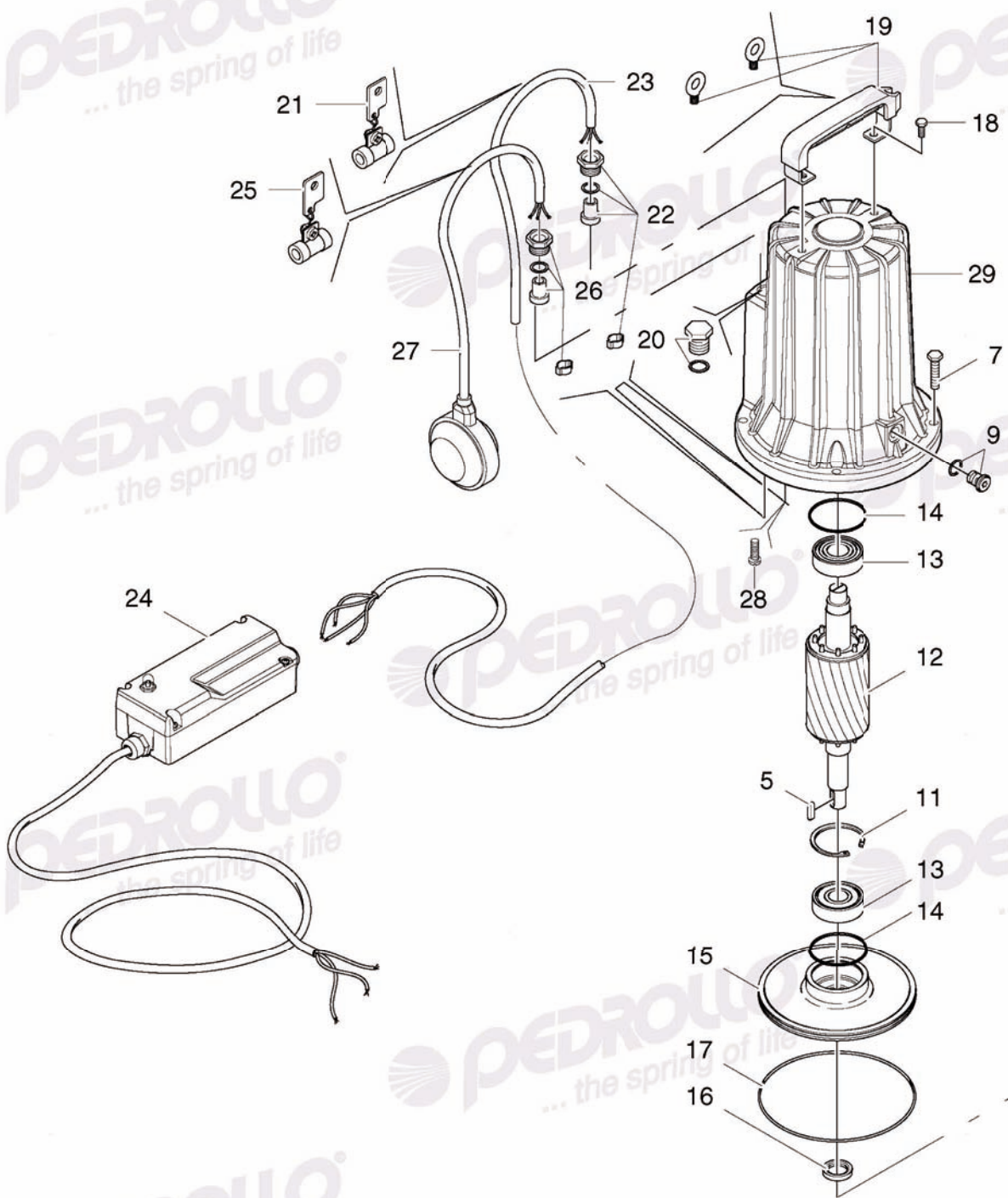
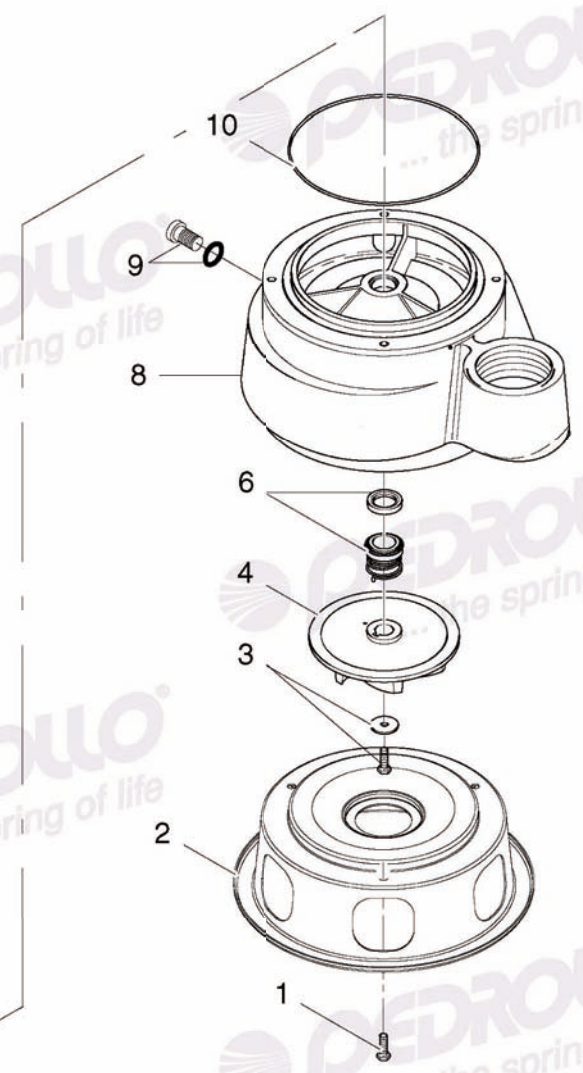


POSITION	CODE	QUANTITY	DESCRIPTION
0001	1160054	3	Screw
0002	859VX3B50	1	Base
0003	116053A	1	Screw with washer
0004	859SV305E	1	Impeller
0005	1148061	1	Stainless steel impeller key
0006	11516322001	1	Mechanical seal Ø 20 mm
0007	1160043	4	Screw
0008	859SV3BL	1	Pump body
0009	119024A	2	Plug
0010	11514201468	1	O-Ring
0011	1146601	1	Circlip J 52 mm
0012	RFC08F085M	1	Shaft with rotor
0013	113013C3E	2	Ball bearing
0014	11514202473	2	O-Ring
0015	859SV335	1	Motor cover
0016	11514501241	1	Sealing ring
0017	11514201474	1	O-Ring
0018	1160054	2	Screw
0019	119957	1	Handle
0021	859GRFCM	1	Cable band
0022	859RLNVXC	1	Supply cable gland
0023	117GPA6LA	1	Supply cable
0024	5RVX150A1	1	Control box
0025	859GRFCA	1	Supply cable
0026	859RGLVXC	1	Float switch cable glande
0027	50014S065	1	Float switch
0028	116031	1	Screw
0029	CA087VX3C0P1	1	Motor casing with windings (220V - 60 Hz)

Technical modifications reserved.



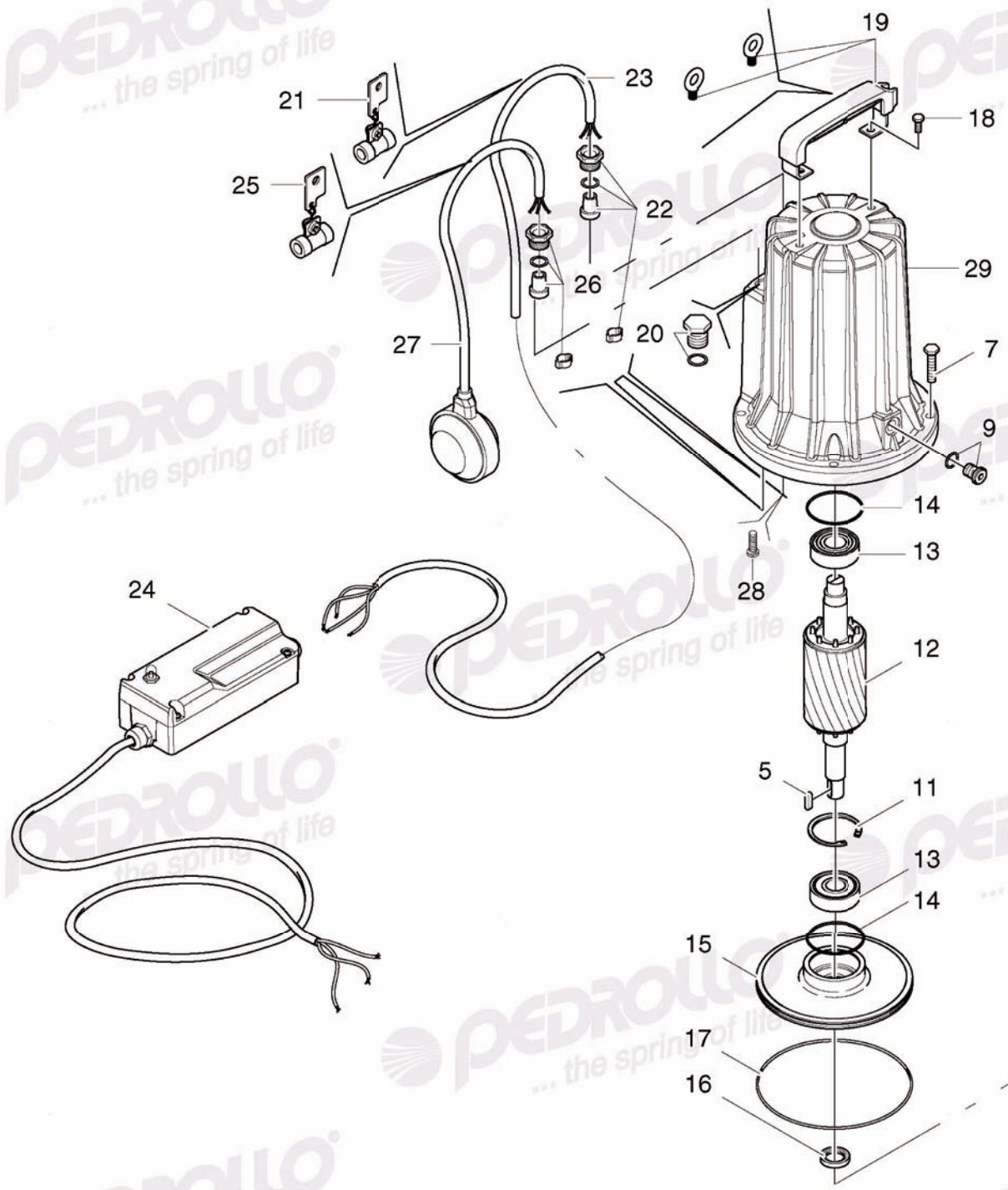
60Hz



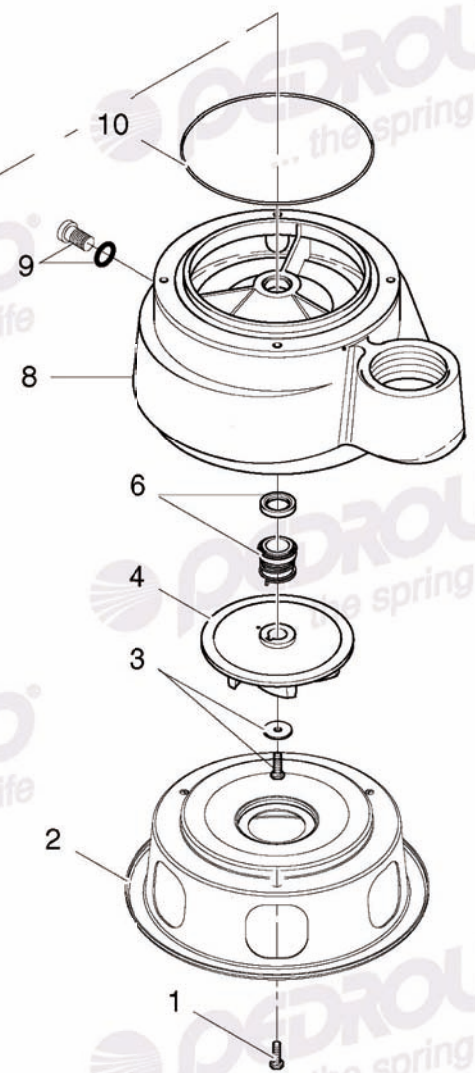
VXCL 10C36S

POSITION	CODE	QUANTITY	DESCRIPTION
0001	1160054	3	Screw
0002	859VX3B50	1	Base
0003	116053A	1	Screw with washer
0004	859SV305E	1	Impeller
0005	1148061	1	Stainless steel impeller key
0006	11516322001	1	Mechanical seal Ø 20 mm
0007	1160043	4	Screw
0008	859SV3BL	1	Pump body
0009	119024A	2	Plug
0010	11514201468	1	O-Ring
0011	1146601	1	Circlip J 52 mm
0012	RFC08F070T	1	Shaft with rotor
0013	113013C3E	2	Ball bearing
0014	11514202473	2	O-Ring
0015	859SV335	1	Motor cover
0016	11514501241	1	Sealing ring
0017	11514201474	1	O-Ring
0018	1160054	2	Screw
0019	119957	1	Handle
0020	1R90302	1	Plug
0021	859GRFCT	1	Cable band
0022	859RLNVXCT	1	Supply cable gland
0023	117PQA6LA	1	Supply cable
0028	116031	1	Screw
0029	CA087VX3B0P	1	Motor casing with windings (380V - 60 Hz)

Technical modifications reserved.



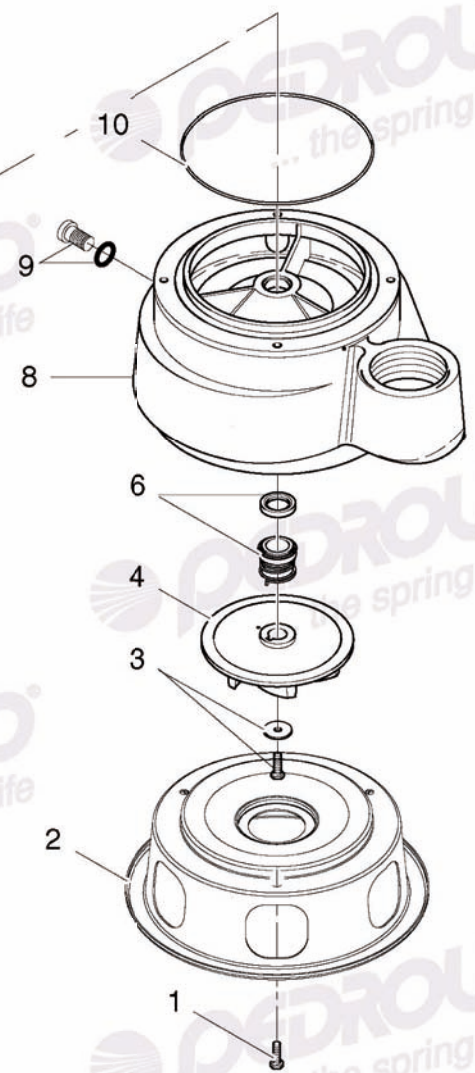
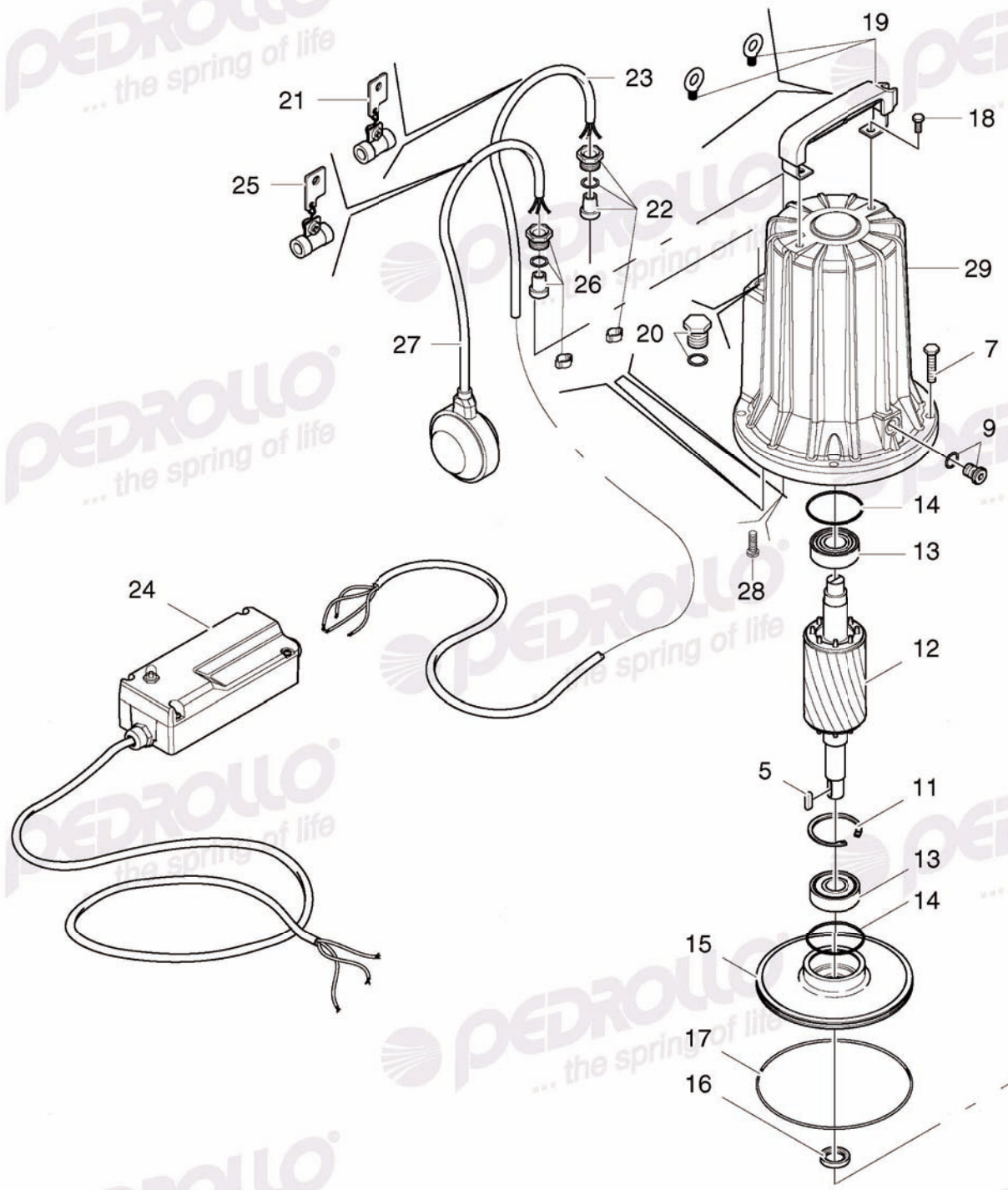
60Hz



VXCL 15C16S

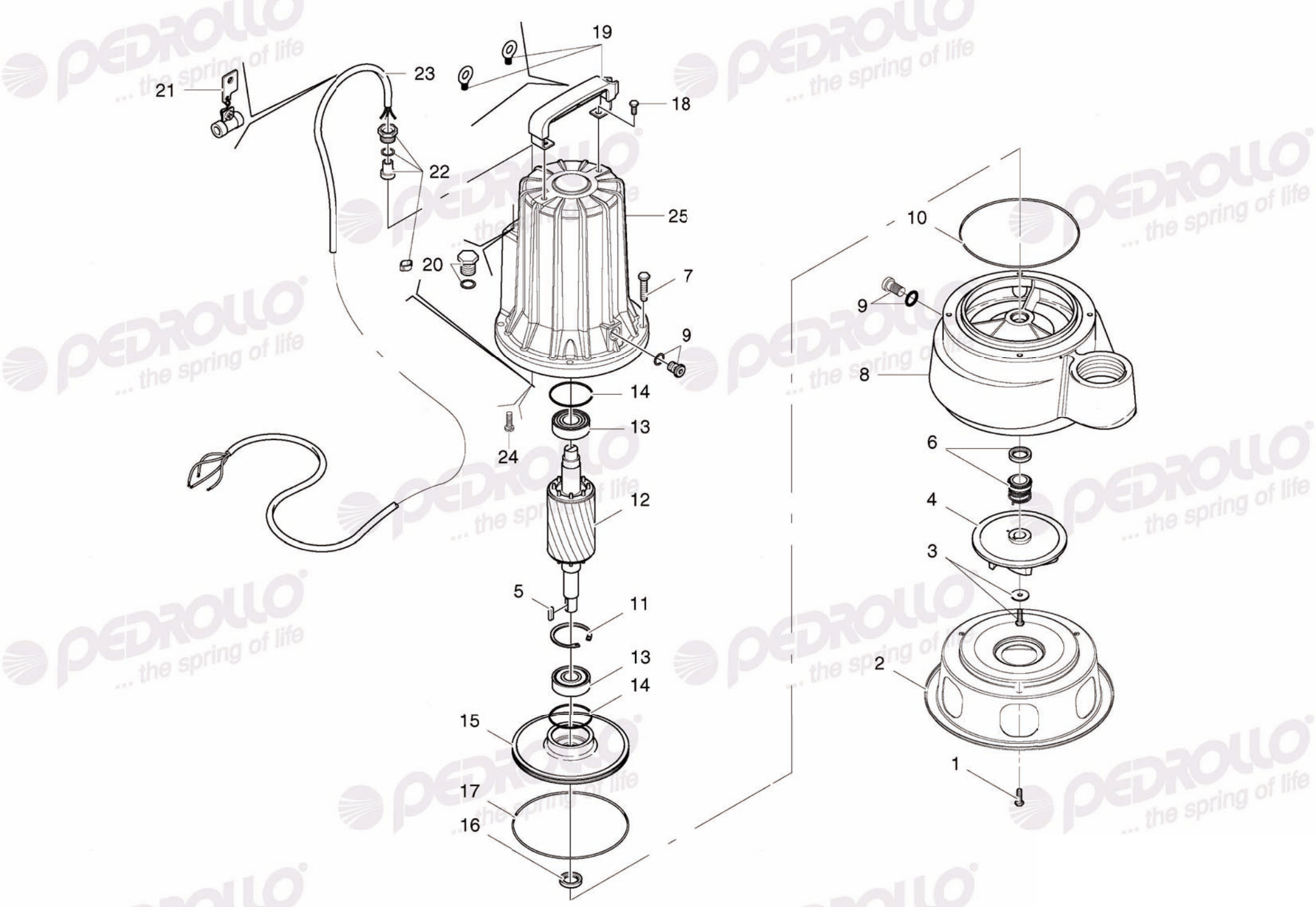
POSITION	CODE	QUANTITY	DESCRIPTION
0001	1160054	3	Screw
0002	859VX3B50	1	Base
0003	116053A	1	Screw with washer
0004	859SV305D	1	Impeller
0005	1148061	1	Stainless steel impeller key
0006	11516322001	1	Mechanical seal Ø 20 mm
0007	1160043	4	Screw
0008	859SV3BL	1	Pump body
0009	119024A	2	Plug
0010	11514201468	1	O-Ring
0011	1146601	1	Circlip J 52 mm
0012	RFC08F100M	1	Shaft with rotor
0013	113013C3E	2	Ball bearing
0014	11514202473	2	O-Ring
0015	859SV335	1	Motor cover
0016	11514501241	1	Sealing ring
0017	11514201474	1	O-Ring
0018	1160054	2	Screw
0019	119957	1	Handle
0021	859GRFCM	1	Cable band
0022	859RLNVXC	1	Supply cable gland
0023	117GPA6LA	1	Supply cable
0024	5RVX200P1	1	Control box
0025	859GRFCA	1	Supply cable
0026	859RGLVXC	1	Float switch cable glande
0027	50014S065	1	Float switch
0028	116031	1	Screw
0029	CA087VX3E0P1	1	Motor casing with windings (220V - 60 Hz)

Technical modifications reserved.



POSITION	CODE	QUANTITY	DESCRIPTION
0001	1160054	3	Screw
0002	859VX3B50	1	Base
0003	116053A	1	Screw with washer
0004	859SV305D	1	Impeller
0005	1148061	1	Stainless steel impeller key
0006	11516322001	1	Mechanical seal Ø 20 mm
0007	1160043	4	Screw
0008	859SV3BL	1	Pump body
0009	119024A	2	Plug
0010	11514201468	1	O-Ring
0011	1146601	1	Circlip J 52 mm
0012	RFC08F085T	1	Shaft with rotor
0013	113013C3E	2	Ball bearing
0014	11514202473	2	O-Ring
0015	859SV335	1	Motor cover
0016	11514501241	1	Sealing ring
0017	11514201474	1	O-Ring
0018	1160054	2	Screw
0019	119957	1	Handle
0020	1R90302	1	Plug
0021	859GRFCT	1	Cable band
0022	859RLNVXCT	1	Supply cable gland
0023	117PQA6LA	1	Supply cable
0028	116031	1	Screw
0029	CA087VX3C0P	1	Motor casing with windings (380V - 60 Hz)

Technical modifications reserved.



POSITION	CODE	QUANTITY	DESCRIPTION
0001	1160054	3	Screw
0002	859VX3B50	1	Base
0003	116053A	1	Screw with washer
0004	859SV305F	1	Impeller
0005	1148061	1	Stainless steel impeller key
0006	11516322001	1	Mechanical seal Ø 20 mm
0007	1160043	4	Screw
0008	859SV3BL	1	Pump body
0009	119024A	2	Plug
0010	11514201468	1	O-Ring
0011	1146601	1	Circlip J 52 mm
0012	RFC08F110T	1	Shaft with rotor
0013	113013C3E	2	Ball bearing
0014	11514202473	2	O-Ring
0015	859SV335	1	Motor cover
0016	11514501241	1	Sealing ring
0017	11514201474	1	O-Ring
0018	1160054	2	Screw
0019	119957	1	Handle
0020	1R90302	1	Plug
0021	859GRFCT	1	Cable band
0022	859RLNVXCT	1	Supply cable gland
0023	117PQA6LA	1	Supply cable
0024	116031	1	Screw
0025	CA087VX3L0P	1	Motor casing with windings (380V - 60 Hz)

Technical modifications reserved.