

Pearl

MSC

Horizontal Multi-Stage Pumps

Features

Extra safety against running dry with the suction port above pump axis.

Robust single-piece barrel casing.

Compact single-piece lantern bracket and base.

Low noise with the water-filled shroud around the stages.

Applications

- For water supply.
- For domestic use, for garden use and irrigation.

Operating Conditions

- Liquid temperature: 32 °F to 95 °F.
- Ambient temperature up to 104 °F.
- Maximum permissible pressure in the pump casing: 116 psi.
- Continuous duty.

Construction

- Horizontal multi-stage close coupled pump.
- Single-piece barrel casing in chrome-nickel stainless steel, with front suction port above pumps axis and radial delivery at top.
- Stages in Noryl.
- Connections: threaded ports NPT.

Motor

- 2-pole induction motor, 60 Hz ($n \approx 3450$ rpm).
- Three-phase 230/460 V.
- Single-phase 115/230 V, 115 V, 230 V.
- Capacitor inside the terminal box.
- Insulation class F.
- Protection IP 44.

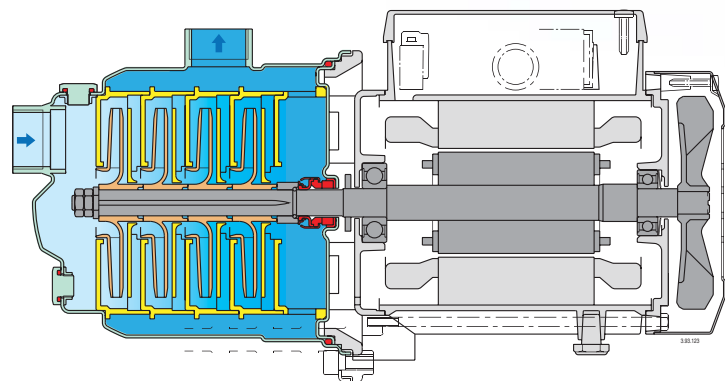
Special Features on request

Other voltages



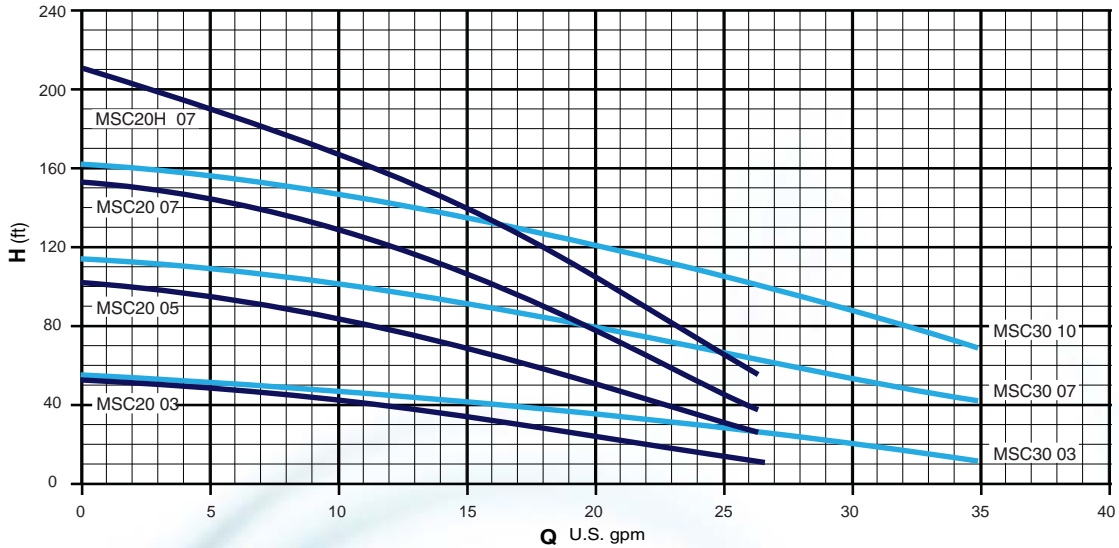
Materials

COMPONENT	MATERIAL
Pump Casing	Cr-Ni steel 1.4301 EN 10088 (AISI 304)
Casing Cover	Cr-Ni steel 1.4301 EN 10088 (AISI 304)
Pump Shaft	Chrome Steel 1.4104 EN 10088 (AISI 430)
Plug	Cr-Ni steel 1.4305 EN 10088 (AISI 303)
Stage Casing	PPO-GF20 (Noryl)
Impeller	PPO-GF20 (Noryl)
Mechanical Seal	Carbon - Ceramic - NBR



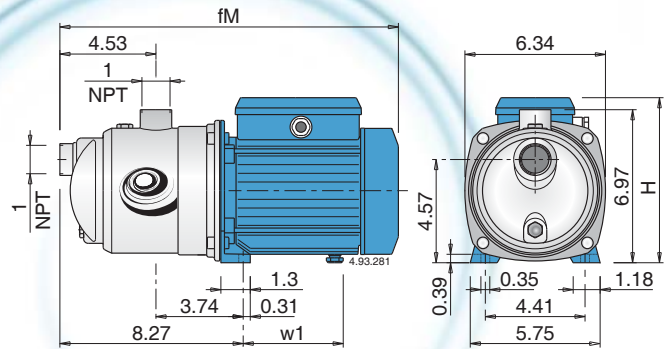
Above Ground Pearl Pumps

Characteristics Curves | n = 3450 rpm



Weights and Dimensions

MODEL	in			NET WEIGHT lb	
	fM	H	w1	3 ~	1 ~
MSC20 03	14.25	6.93	4.02	13	13
MSC20 05	14.25	6.93	4.02	15.9	15.9
MSC20 07	15.39	7.56	4.41	19.6	21.6
MSC20H 07	15.39	7.56	4.41	21.2	23.4
MSC30 03	14.25	6.93	4.02	13	13
MSC30 07	15.39	7.56	4.41	19.3	21.3
MSC30 10	15.39	7.56	4.41	24.2	



Nominal Currents

MODEL	P2 HP	3 ~		1 ~			
		230 / 460V In A	Ia / In	115V In A	230V In A	115 / 230V In A	Ia / In
MSC20 03	0.33	1.8/1.1	4	5.3	2.8		2.7
MSC20 05	0.5	2.6/1.6	5.4	8.4	4.2		2.6
MSC20 07	0.75	2.6/1.6	3.7	10.8	5.4	8.6/4.5	3.1
MSC20H 07	0.75	3.8/2.3	6.8	12.4	6.2	10.5/5.4	3.5
MSC30 03	0.33	1.8/1.1	4	5.3	2.8	8.6/4.5	2.7
MSC30 07	0.75	2.6/1.6	3.7	10.8	5.4	13.6/7	3.1
MSC30 10	1	5.4/3.1	5.5	13.8	7.2		3.5

P2 Rated motor power output | Ia / In D.O.L. starting current / Rated current.