

3 INCH 'S' SERIES SELF-PRIMING CENTRIFUGAL PUMP

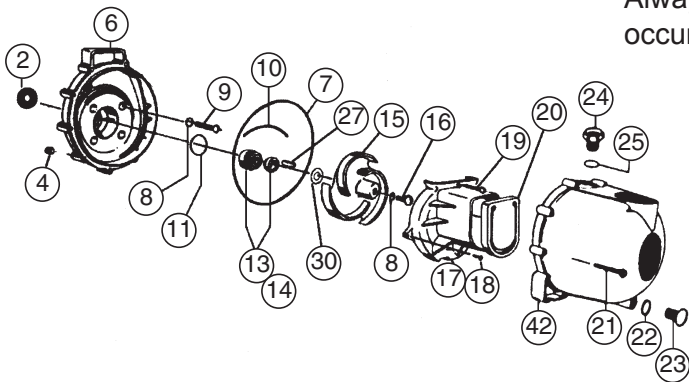


CARING FOR PACER PUMPS:

When handling agricultural fertilizer and chemicals, flush pump with fresh clean water immediately after use. before storing pump, **flush** with fresh clean water and **drain** completely.

EPDM rubber components **are not compatible** with petroleum products. **Do not** use petroleum products when preparing pump for storage.

Extra engine protection with special shaft gasket helps keep liquid from entering engine in the event of seal failure. Always replace a dripping seal before additional damage occurs.



- Housing, volute and impeller: glass-reinforced polyester
- Rubber parts: EPDM
- Shaft seal: Stainless steel with carbon and ceramic faces, EPDM fitted.
- Hardware: Internal and external stainless steel fasteners
- Working pressure: To 36 PSI
- Flow: To 280 GPM

PARTS LIST FOR MODEL NO SE3SL E6CP

REF. NO.	DESCRIPTION	QTY./PUMP	PART NO.
2	Engine protection gasket	1	P-58-0935 72
4	Body nut	10	P-58-0721 10
6	Bracket	1	P-58-0703 30B
7	"O"-ring, body	1	P-58-0719 72
8	"O"-ring, screw	5	P-58-0717 72
9	Screw, Bracket	4	P-58-0715 10
10	"O"-ring segment	1	P-58-0754 72
11, 13, & 14	Shaft seal & "O"-ring	1	P-58-0714 12
15	Impeller	1	P-58-0975 30
16	Screw, impeller	1	P-58-0716 10
17	Volute	1	P-58-0977 30
18	Screw, side volute	As required	P-58-0725 10
19	Screw, top volute	As required	P-58-0997 10
20	Check valve	1	P-58-0705 72
21	Screw, body	10	P-58-1206 10
22	"O"-ring, drain plug	1	P-58-1009 72
23	Drain plug	1	P-58-0723 30
24	Filler plug	1	P-58-0722 30B
25	"O"-ring, filler plug	1	P-58-0765 72
27	Key	1	P-58-0718
30	Shim	As required	P-58-0778 11 (.006)
		As required	P-58-0778 12 (.015)
		As required	P-58-0778 13 (.030)
42	Body, 3" NPT	1	P-58-0755 30B