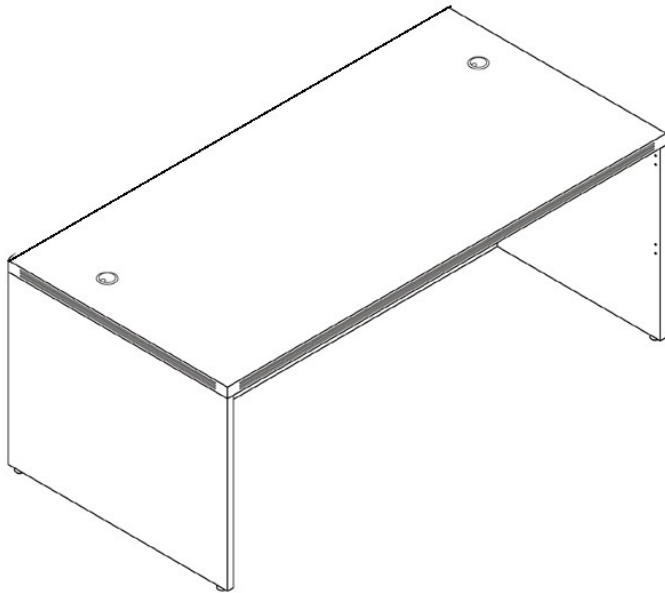




Modern Office
6900 Shady Oak Road, Ste 120
Eden Prairie, MN 55344
Phone: 800.443.5117
(In MN): 952.941.2837
Fax: 952.949.9816
www.modernofficefurniture.com


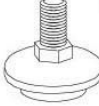


Desk/Credenza Shell

MJ/FL/ML/WH
2001/2002/2043/2089/3624/7124



ASSEMBLY INSTRUCTIONS

PARTS LIST

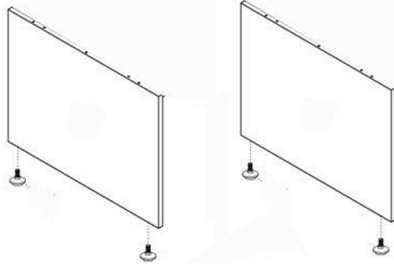
Part	Part
 Wood Dowel	 Cap
 Cam Pin	 Leveling Glide
 Cam Lock	 Grommet
 Screw	 L-Bracket



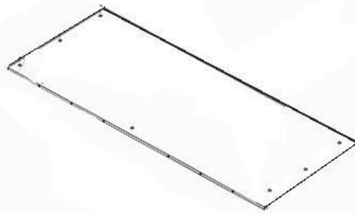
Modern Office
6900 Shady Oak Road, Ste 120
Eden Prairie, MN 55344
Phone: 800.443.5117
(In MN): 952.941.2837
Fax: 952.949.9816
www.modernofficefurniture.com

1.) Assemble on a smooth, carpeted floor to prevent scratches or damage. Assembly will require 2 people for safety.

2.) Screw 2 leveling glides in completely on both side panels. When completed, the glides can be adjusted outward to level the desk on uneven floors.



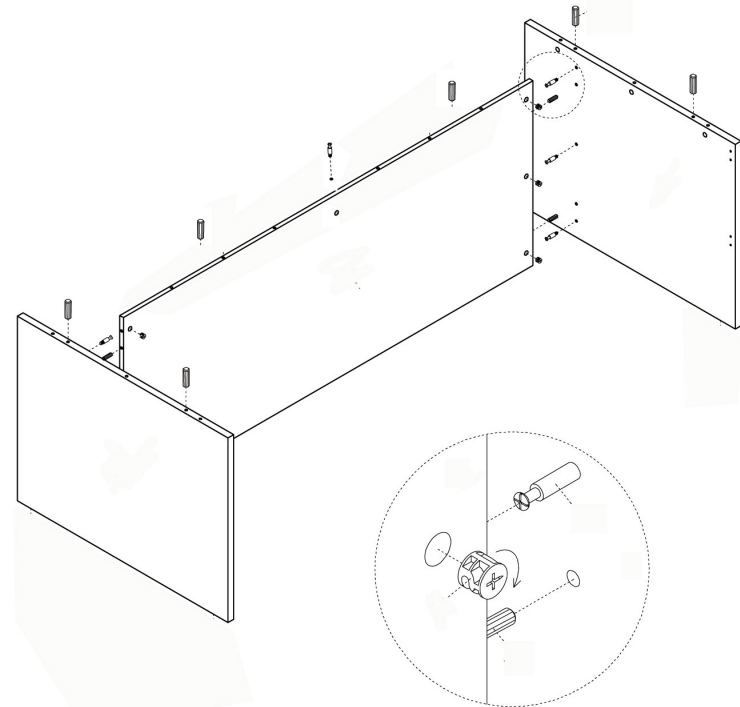
3.) Next, take out the front panel and position with side panels like shown on page 3.



2

4.) Insert wood dowels into large holes and cam pins into smaller holes. Align the panels together and attach using a Phillips Screwdriver to twist the cam locks to secure.

(Number of holes in diagram may vary from actual desk)

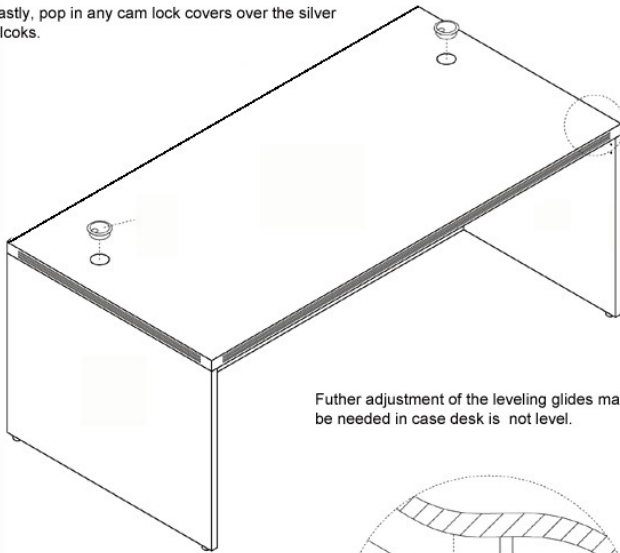


3

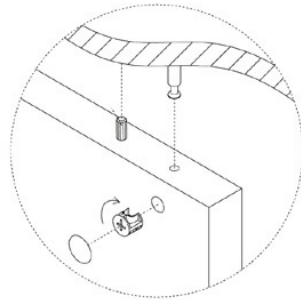


Modern Office
6900 Shady Oak Road, Ste 120
Eden Prairie, MN 55344
Phone: 800.443.5117
(In MN): 952-941-2837
Fax: 952.949.9816
www.modernofficefurniture.com

- 5.) Lower Desktop onto front and side panels, making sure to align holes. Twist any remaining cam locks to secure.
- 6.) L-brackets and screws are optional and can be placed anywhere underneath the desktop for additional strength. Screws are self-drilling
- 7.) Install grommets. Note: Credenza Shells have only 1 grommet.
- 8.) Lastly, pop in any cam lock covers over the silver cam locks.



Further adjustment of the leveling glides may be needed in case desk is not level.

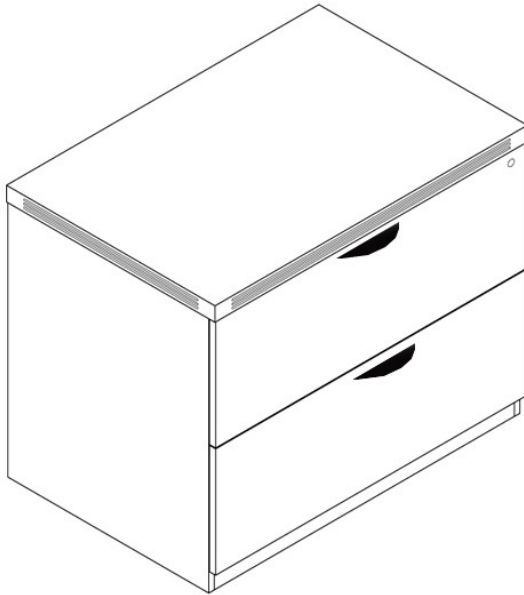







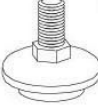
Modern Office
6900 Shady Oak Road, Ste 120
Eden Prairie, MN 55344
Phone: 800.443.5117
(In MN): 952-941-2837
Fax: 952.949.9816
www.modernofficefurniture.com

2-Drawer/4-Drawer Lateral File

MJ/FL/ML/WH2012
MJ/FL/ML/WH2012A



PARTS LIST

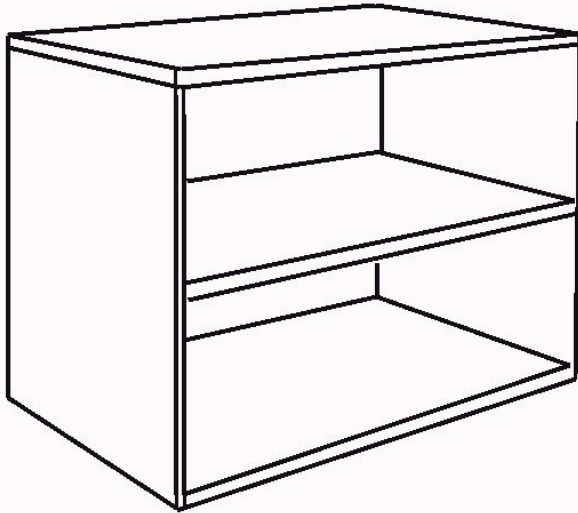
Part	Part
 Screw	 Drawer Pull
 Keys	 Leveling Glide

- 1) Install 4 leveling glides and level the file
- 2.) Install drawer pulls with screws provided.






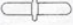


Modern Office
6900 Shady Oak Road, Ste 120
Eden Prairie, MN 55344
Phone: 800.443.5117
(In MN): 952.941.2837
Fax: 952.949.9816
www.modernofficefurniture.com

WHITE 2-SHELF BOOKCASE



WH2050

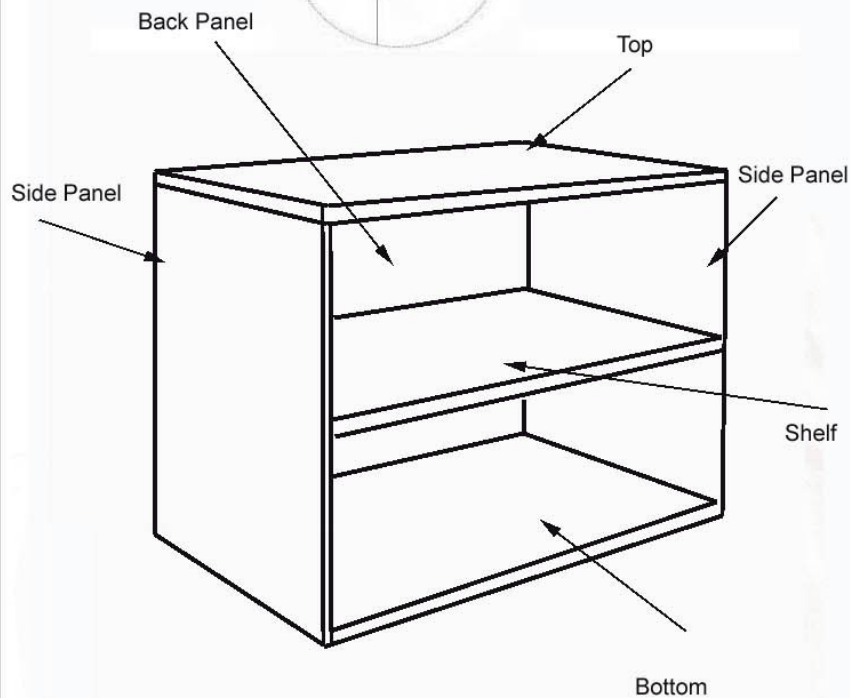
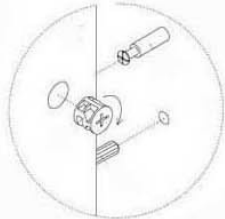
PARTS LIST

Part	Part
 Wood Dowel	 Shallow Cover
 Cam Pin	 Deep Cover
 Cam Lock	 Deep Cover



Modern Office
6900 Shady Oak Road, Ste 120
Eden Prairie, MN 55344
Phone: 800.443.5117
(In MN): 952-941-2837
Fax: 952.949.9816
www.modernofficefurniture.com

Assemble on a smooth, clean surface to prevent scratches.



Modern Office
6900 Shady Oak Road, Ste 120
Eden Prairie, MN 55344
Phone: 800.443.5117
(In MN): 952-941-2837
Fax: 952.949.9816
www.modernofficefurniture.com

- 1.) Screw in all camlock pins and insert all wooden dowels in both SIDE PANELS, BACK PANEL, TOP and BOTTOM.
- 2.) Assemble the bookcase on its side. Begin by attaching the BOTTOM and one SIDE PANEL by placing it over the cam pins and inserting the cam locks. DO NOT YET TIGHTEN.
- 3.) Assemble the bookcase on its side. Begin by attaching the base with the trim piece by placing it over the cam pins and inserting the cam locks. DO NOT YET TIGHTEN.
- 4.) Connect BACK PANEL using same hardware method.
- 5.) Connect TOP and other SIDE PANEL. When done, TIGHTEN ALL CAM LOCKS.
- 6.) Turn unit right side up and place in area of intended use. Insert shelf pins and SHELF where desired.
- 7.) Cover the cam locks with the caps provided.